

ORIGINATION FORM

Proposed Revisions to a Standard Plans Index
(Please provide all information – Incomplete forms will be returned)

Contact Information:

Date: June 19, 2019
Originator: Cheryl Hudson
Phone: (850) 414-5332
Email: cheryl.hudson@dot.state.fl.us

Standard Plans:

Index Number: 450-084
Sheet Number (s): 1
Index Title: Florida-I 84 Beam - Standard Details

Summary of the changes:

Deleted Intermediate Diaphragm Inserts

Commentary / Background:

Diaphragms not required; therefore Inserts not required.

Other Affected Offices / Documents: (Provide name of responsible personnel)

Yes	No	
<input type="checkbox"/>	<input checked="" type="checkbox"/>	Other Standard Plans –
<input type="checkbox"/>	<input checked="" type="checkbox"/>	FDOT Design Manual –
<input type="checkbox"/>	<input checked="" type="checkbox"/>	Basis of Estimates Manual –
<input type="checkbox"/>	<input checked="" type="checkbox"/>	Standard Specifications –
<input type="checkbox"/>	<input checked="" type="checkbox"/>	Approved Product List –
<input type="checkbox"/>	<input checked="" type="checkbox"/>	Construction –
<input type="checkbox"/>	<input checked="" type="checkbox"/>	Maintenance –

Origination Package Includes: (Email or hand deliver package to Derwood Sheppard)

Yes	N/A	
<input type="checkbox"/>	<input checked="" type="checkbox"/>	Redline Mark-ups
<input type="checkbox"/>	<input type="checkbox"/>	Proposed Standard Plan Instructions (SPI)
<input type="checkbox"/>	<input type="checkbox"/>	Revised SPI
<input type="checkbox"/>	<input type="checkbox"/>	Other Support Documents

Implementation:

Design Bulletin (Interim) DCE Memo Program Mgmt. Bulletin FY-Standard Plans (Next Release)

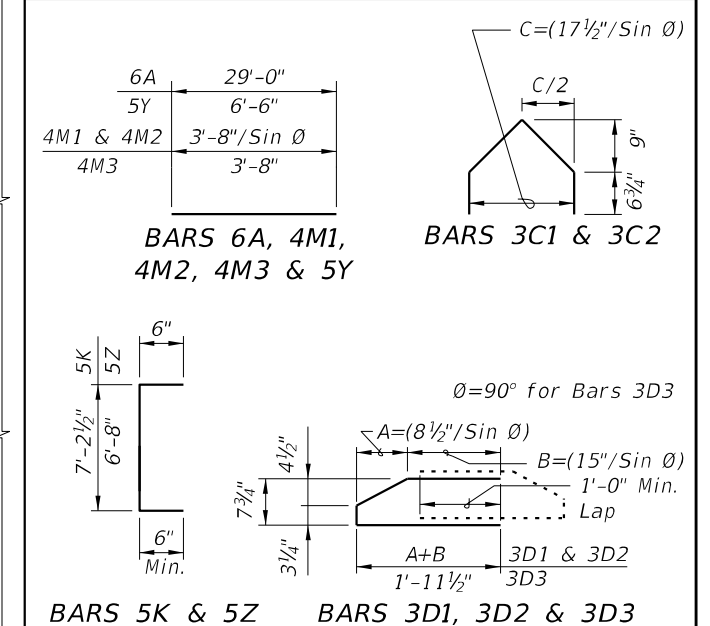
Contact the Roadway Design Office for assistance in completing this form

**CONVENTIONAL REINFORCING
BAR BENDING DETAILS**

BILL OF REINFORCING STEEL

MARK	NOTE NUMBERS	SIZE	NUMBER REQUIRED	LENGTH (NOTE 2)
A	—	6	8	29'-0"
C1	7, 8 & 9	3	21 (End 1)	Varies
C2	7, 8 & 9	3	21 (End 2)	Varies
D1	7, 8, 9 & 10	3	42 (End 1)	Varies
D2	7, 8, 9 & 10	3	42 (End 2)	Varies
D3	9 & 10	3	See Table	4'-3"
K	5, 6, 8, 9 & 10	5	See Table	8'-2"
M1	7 & 9	4	19 (End 1)	Varies
M2	7 & 9	4	19 (End 2)	Varies
M3	9	4	See Table	3'-8"
N	4 & 12	1/2" Ø Strand	4	Dim. L
Y	8 & 9	5	16	6'-6"
Z	5, 6, 8, 9 & 10	5	12	7'-8"

BENDING DIAGRAMS (See Note 2)

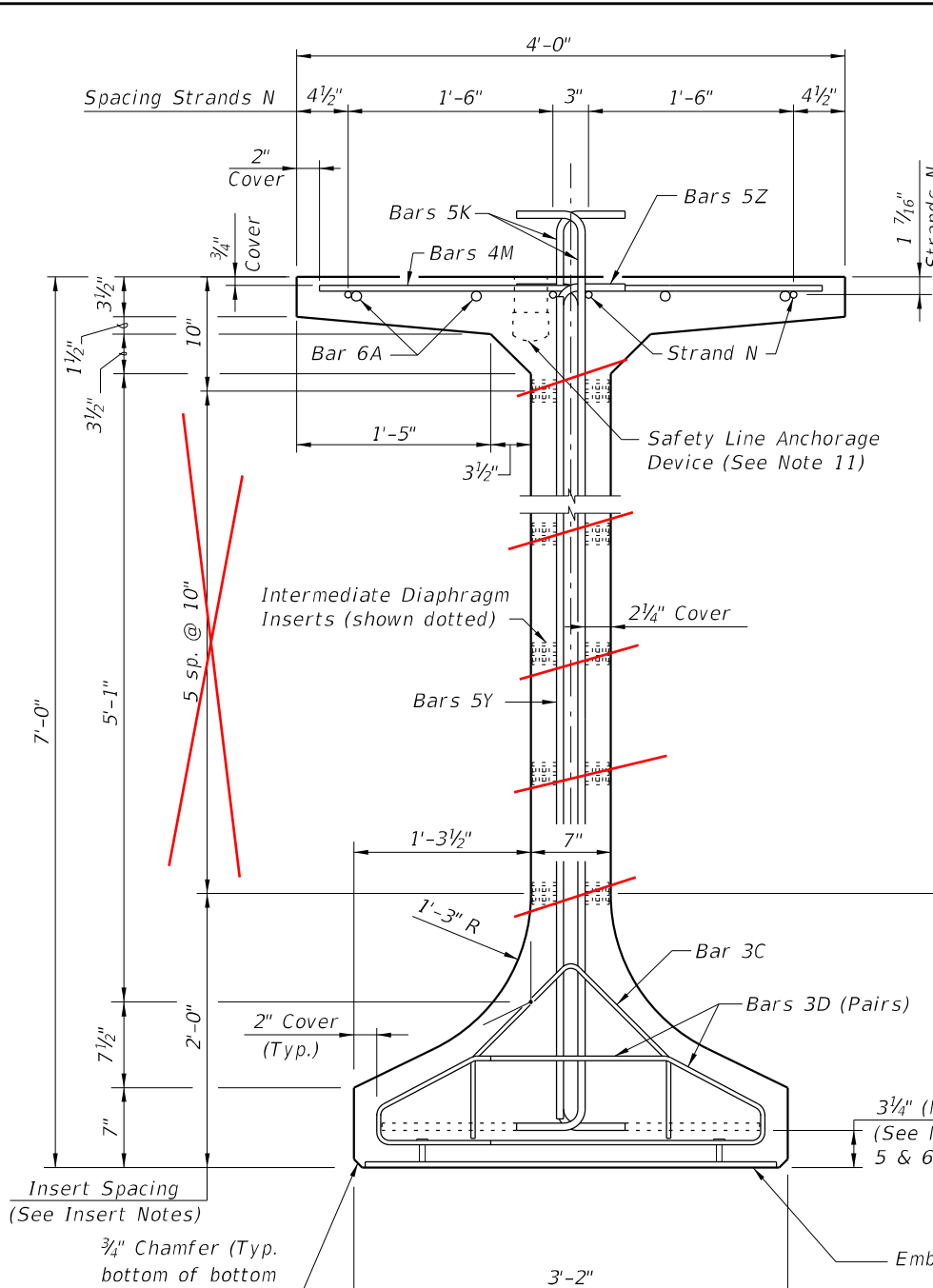


NOTES:

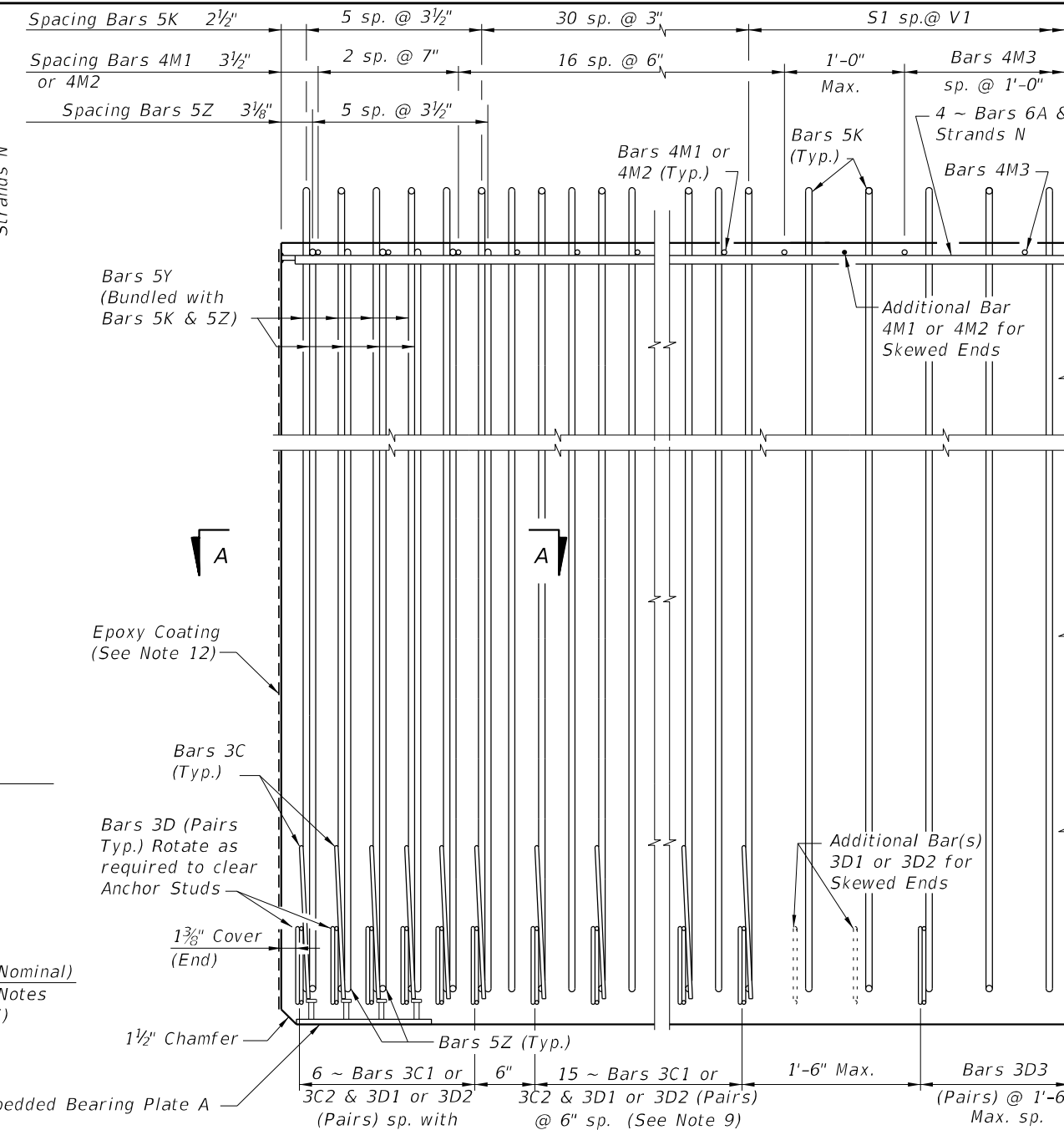
A. Work this Index with Index 450-010 - Typical Florida-I Beam Details and Notes and the Florida-I Beam - Table of Beam Variables in Structures Plans.

B. For referenced notes, see Index 450-010.

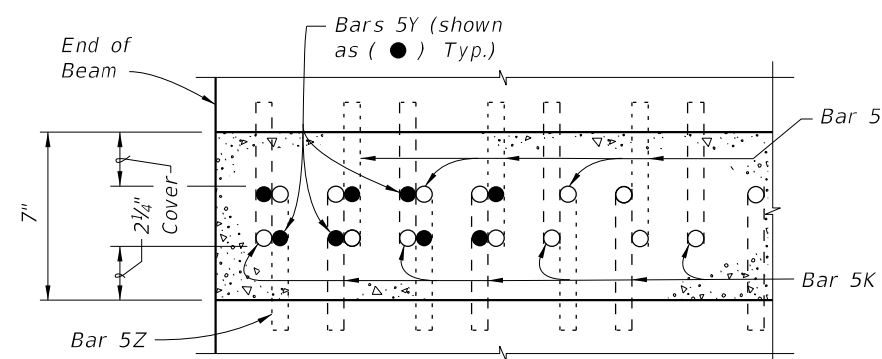
C. For Dimensions A, B, C, D, L, R & V1 and number of spaces S1 thru S4, see Florida-I Beam - Table of Beam Variables in Structures Plans.



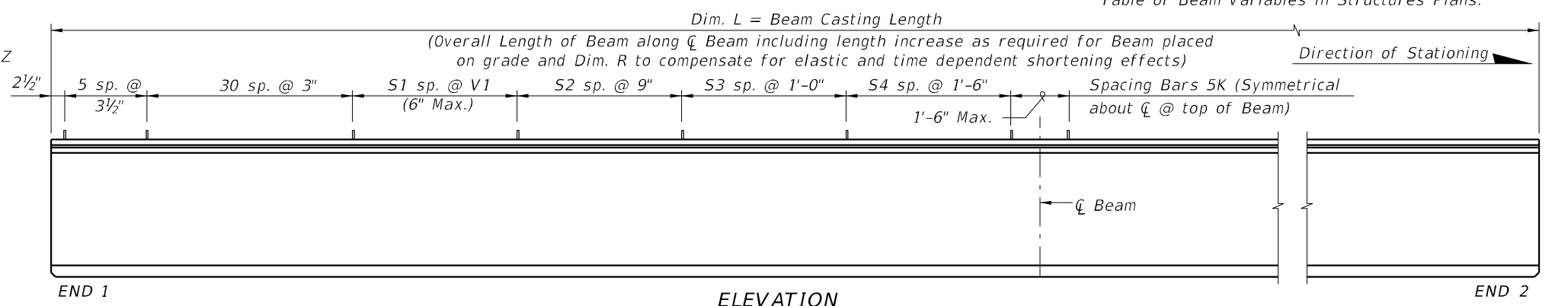
END VIEW



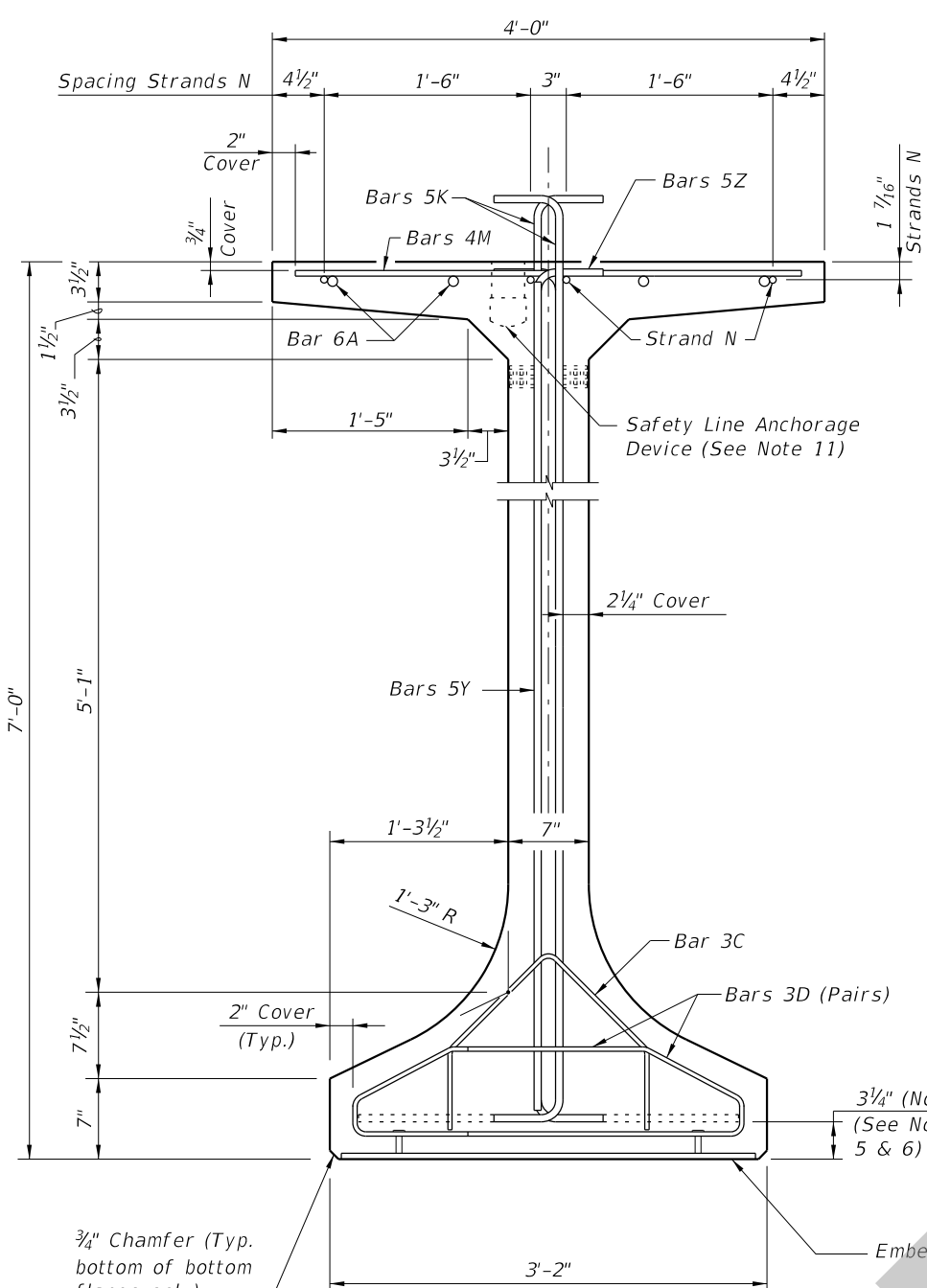
**ELEVATION AT END OF BEAM
(Flanges Not Shown For Clarity)
(End 1 Shown, End 2 Similar)**



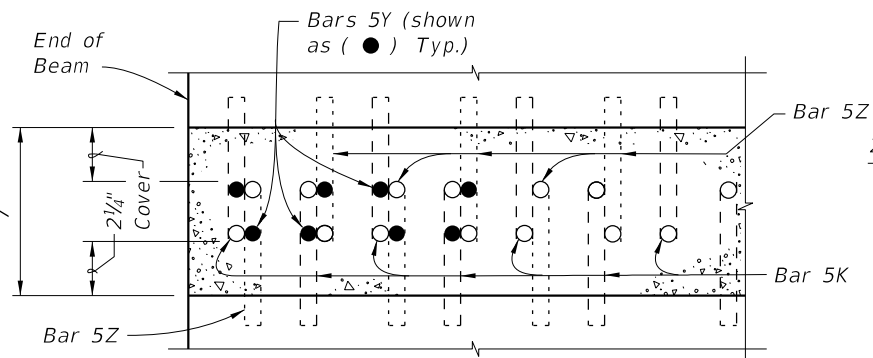
**SECTION A-A FOR CONVENTIONAL REINFORCING
(Showing Bars 5K, 5Y & 5Z Only)**



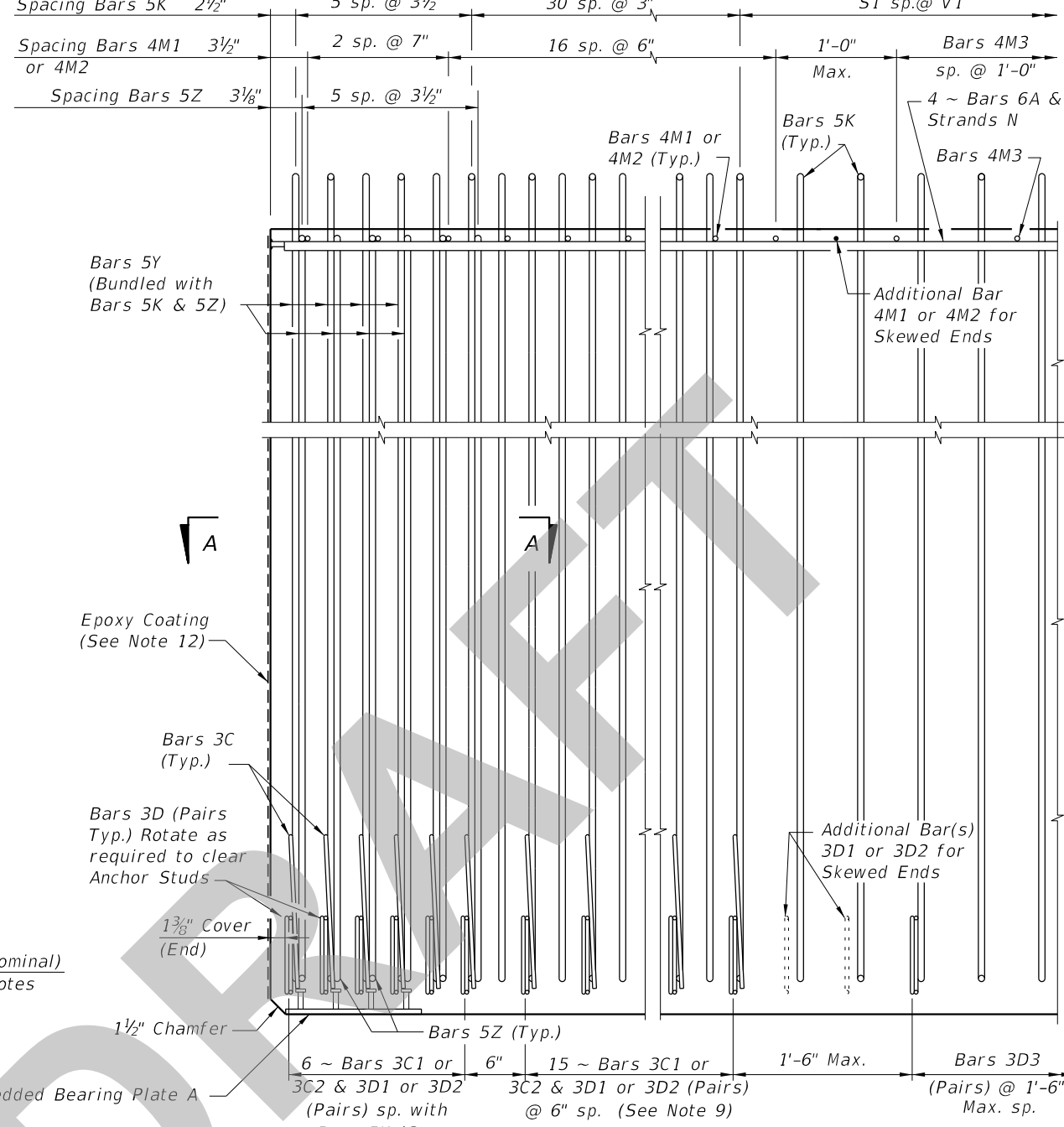
10/23/2018 12:25:58 PM



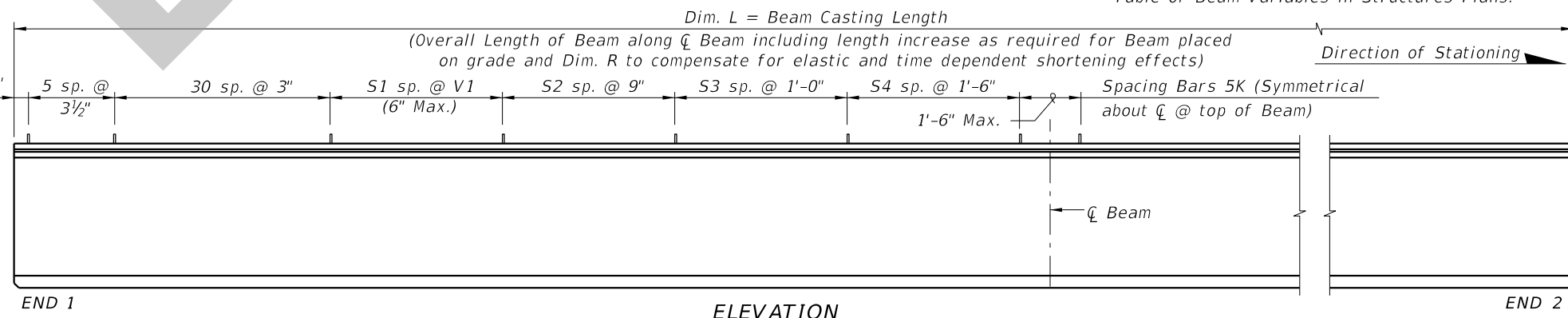
END VIEW



SECTION A-A FOR CONVENTIONAL REINFORCING (Showing Bars 5K, 5Y & 5Z Only)



ELEVATION AT END OF BEAM (Flanges Not Shown For Clarity) (End 1 Shown, End 2 Similar)



ELEVATION

CONVENTIONAL REINFORCING BAR BENDING DETAILS				
BILL OF REINFORCING STEEL				
MARK	NOTE NUMBERS	SIZE	NUMBER REQUIRED	LENGTH (NOTE 2)
A	—	6	8	29'-0"
C1	7, 8 & 9	3	21 (End 1)	Varies
C2	7, 8 & 9	3	21 (End 2)	Varies
D1	7, 8, 9 & 10	3	42 (End 1)	Varies
D2	7, 8, 9 & 10	3	42 (End 2)	Varies
D3	9 & 10	3	See Table	4'-3"
K	5, 6, 8, 9 & 10	5	See Table	8'-2"
M1	7 & 9	4	19 (End 1)	Varies
M2	7 & 9	4	19 (End 2)	Varies
M3	9	4	See Table	3'-8"
N	4 & 12	1/2" Ø Strand	4	Dim. L
Y	8 & 9	5	16	6'-6"
Z	5, 6, 8, 9 & 10	5	12	7'-8"

BENDING DIAGRAMS (See Note 2)

NOTES:
 A. Work this Index with Index 450-010 - Typical Florida-I Beam Details and Notes and the Florida-I Beam - Table of Beam Variables in Structures Plans.
 B. For referenced notes, see Index 450-010.
 C. For Dimensions A, B, C, D, L, R & V1 and number of spaces S1 thru S4, see Florida-I Beam - Table of Beam Variables in Structures Plans.

SDATES

LAST REVISION 11/01/19	DESCRIPTION:
---------------------------	--------------