

# ORIGINATION FORM

Proposed Revisions to a Standard Plans Index  
(Please provide all information – Incomplete forms will be returned)

## Contact Information:

Date: May 7, 2018  
Originator: Derwood Sheppard  
Phone: (850) 414-4334  
Email: Derwood.Sheppard@dot.state.fl.us

## Standard Plans:

Index Number: 443-002  
Sheet Number (s): 1-4 of 4  
Index Title: Skimmers for French Drain Outlets

## Summary of the changes:

Reorganized Index into additional Sheets. Moved Design notes to SPI and Drainage Manual? Arranged Details by Type I and Type II Skimmers.

## Commentary / Background:

### Other Affected Offices / Documents: (Provide name of responsible personnel)

- | Yes                                 | No                       |  |
|-------------------------------------|--------------------------|--|
| <input type="checkbox"/>            | <input type="checkbox"/> | Other Standard Plans –                 |
| <input type="checkbox"/>            | <input type="checkbox"/> | FDOT Design Manual –                   |
| <input type="checkbox"/>            | <input type="checkbox"/> | Basis of Estimates Manual –            |
| <input checked="" type="checkbox"/> | <input type="checkbox"/> | Standard Specifications – Rick Jenkins |
| <input type="checkbox"/>            | <input type="checkbox"/> | Approved Product List –                |
| <input type="checkbox"/>            | <input type="checkbox"/> | Construction –                         |
| <input type="checkbox"/>            | <input type="checkbox"/> | Maintenance –                          |

### Origination Package Includes: (Email or hand deliver package to Derwood Sheppard)

- | Yes                                 | N/A                      |   |
|-------------------------------------|--------------------------|---|
| <input checked="" type="checkbox"/> | <input type="checkbox"/> | Redline Mark-ups                          |
| <input type="checkbox"/>            | <input type="checkbox"/> | Proposed Standard Plan Instructions (SPI) |
| <input type="checkbox"/>            | <input type="checkbox"/> | Revised SPI                               |
| <input type="checkbox"/>            | <input type="checkbox"/> | Other Support Documents                   |

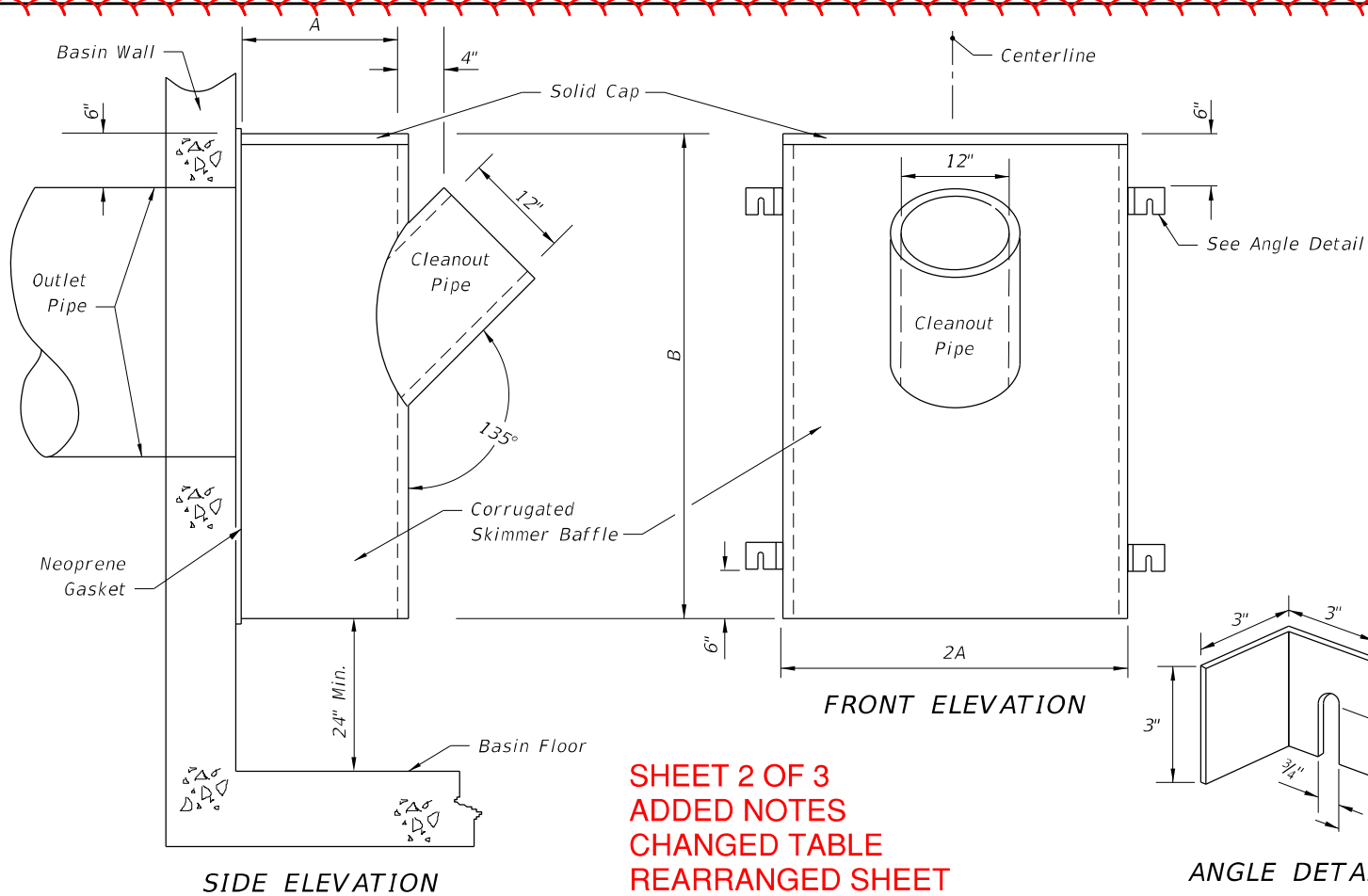
## Implementation:

- Design Bulletin (Interim)    DCE Memo    Program Mgmt. Bulletin    FY-Standard Plans (Next Release)

Contact the Roadway Design Office for assistance in completing this form

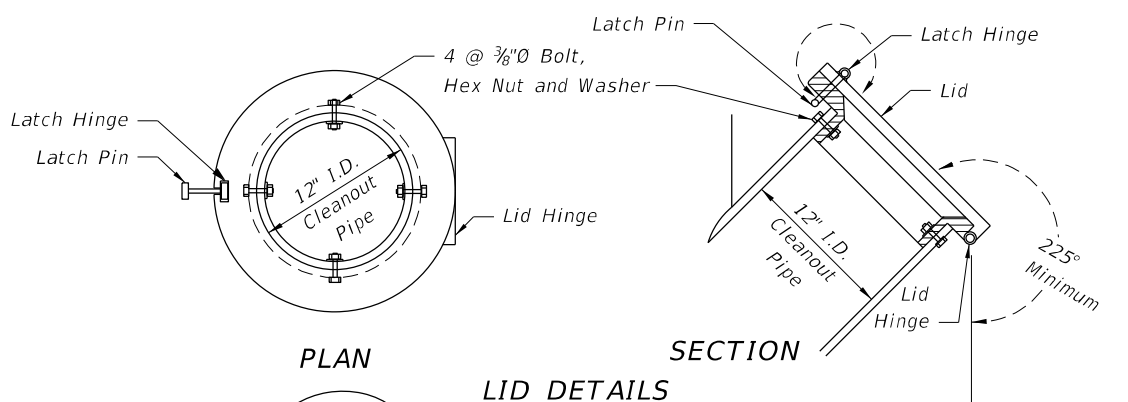
NEW SHEET 1 OF 3

"GENERAL NOTES - TABLE OF CONTENTS - SKIMMERS FOR FRENCH DRAIN OUTLETS ASSEMBLY

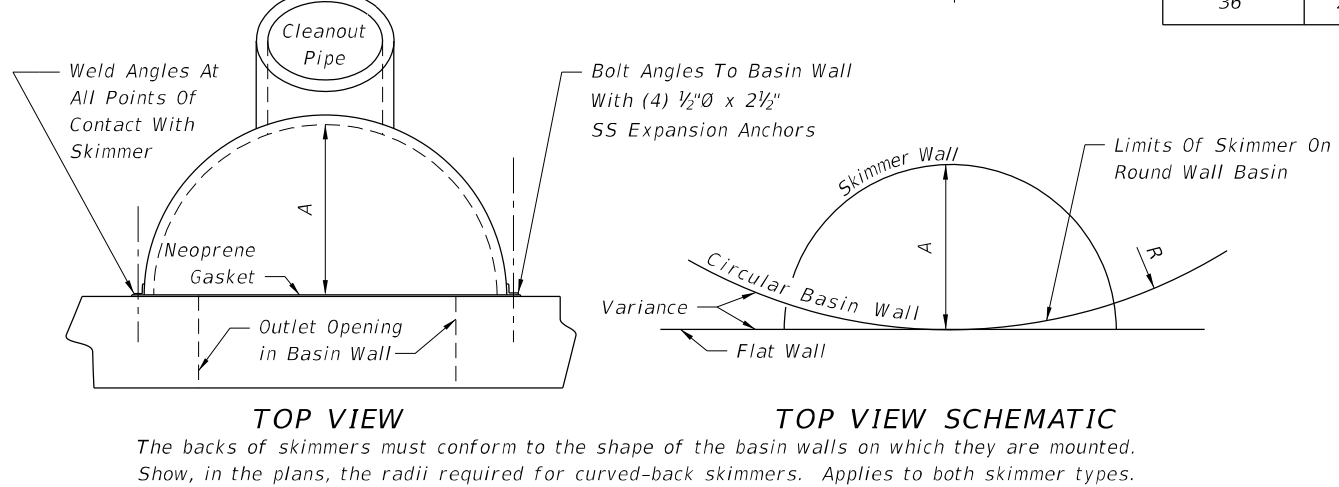


**SHEET 2 OF 3  
ADDED NOTES  
CHANGED TABLE  
REARRANGED SHEET**

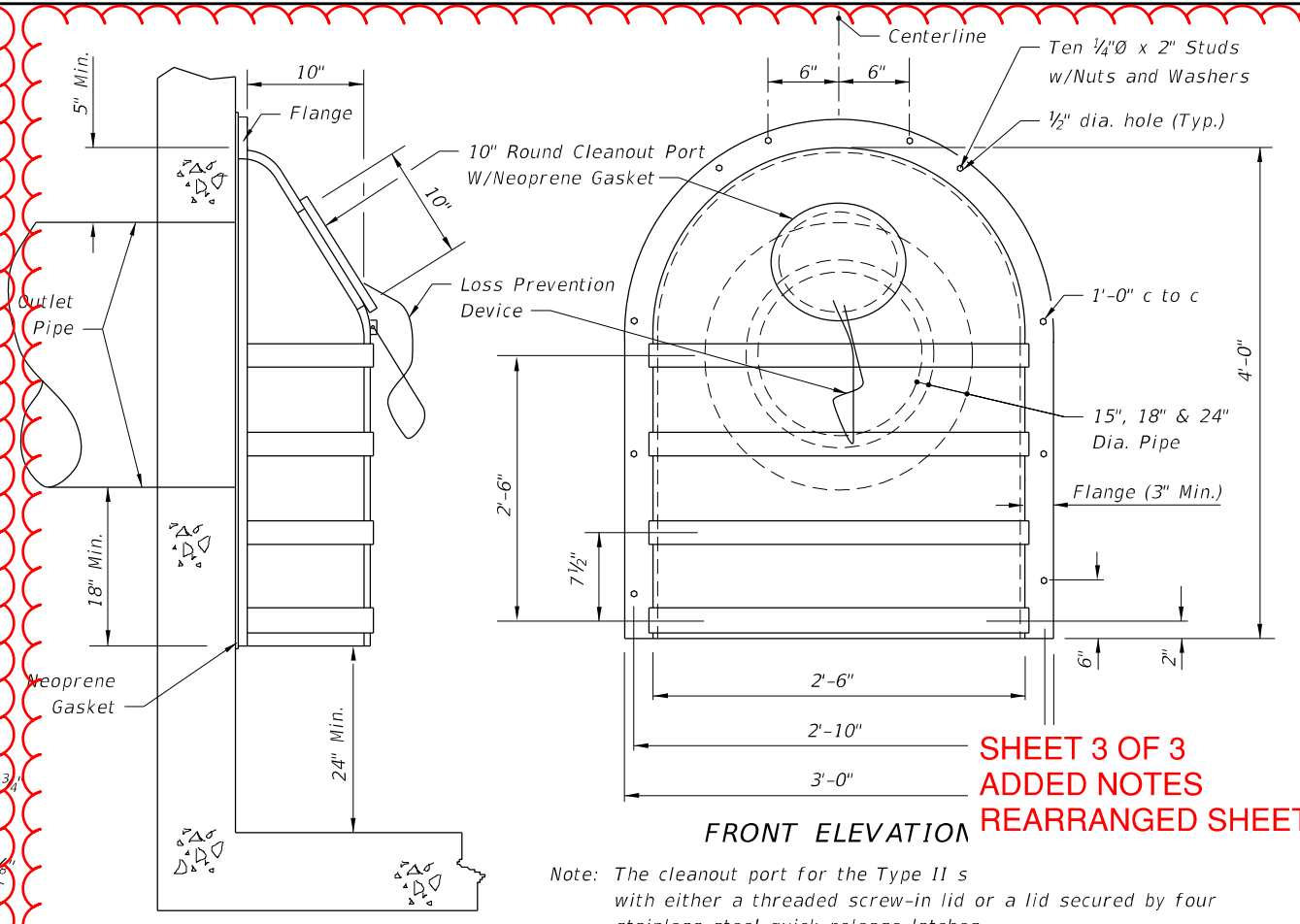
**TYPE I SKIMMER**



TYPE I SKIMMER DIMENSION TABLE		
OUTLET PIPE	A	B
18"	12"	42"
24"	15"	48"
30"	18"	54"
36"	21"	60"



The backs of skimmers must conform to the shape of the basin walls on which they are mounted. Show, in the plans, the radii required for curved-back skimmers. Applies to both skimmer types.



**SHEET 3 OF 3  
ADDED NOTES  
REARRANGED SHEET**

**TYPE II SKIMMER**

**GENERAL NOTES**

- The Frenchdrain Skimmer is a hooded cover, mounted over an outlet in a catchbasin, that prevents oil and floating debris from exiting the basin. Use this skimmer in Frenchdrain Catchbasins and in other locations where there is a need to prevent oil, debris or other floating contaminants from exiting Catchbasins through outlet pipes.
- Place neoprene gasket material between the skimmer and the catchbasin at all points of contact. Trim the gasket neatly to extend 1/2 inch beyond the joint on all sides.
- Skimmer baffle, cleanout pipe and angles shall be primarily constructed of either galvanized steel, aluminum, polyvinyl chloride, polyethylene, fiberglass or acrylonitrile butadiene styrene. All steel components, other than stainless, shall be hot-dip galvanized.
- Mounting hardware, hinges and latches shall all be stainless steel. Loss prevention device shall be either stainless steel chain or riveted nylon strap.
- Material used in construction of skimmer bodies (baffles) and cleanout pipe shall comply with Standard Specification 943 for steel, 945 for aluminum or 948 for plastics.
- All costs for furnishing and installing a frenchdrain skimmer shall be included in the cost of the basin in which it is installed. Retrofit skimmers shall be paid for as 'modify existing structure'.
- Plastic Skimmers shall contain a minimum of 1.5% by weight of carbon black for UV protection.

**DESIGN NOTES**

- The contractor may submit an alternative design prefabricated Frenchdrain Skimmer for approval by the Engineer.
- Show, in the plans, the location of the basin and indicate the interior side(s) of the basin on which a skimmer will be installed.
- Type I Skimmer dimensions shall be based on the outlet pipe diameter as shown in the dimension table.
- Type II Skimmers are to be used only with outlet pipe diameters of 15", 18", and 24".

**MOVED TO SPI AND DRAINAGE MANUAL**

10/18/2018 10:57:36 AM

NEW SHEET 3 OF 3

TYPE II SKIMMERS

**GENERAL NOTES:**

1. The French Drain Skimmer is a hooded cover, mounted over an outlet in a catchbasin, that prevents oil and floating debris from exiting the basin.
2. Place neoprene gasket material between the skimmer and the catchbasin at all points of contact. Trim the gasket to extend 1/2 inch beyond the joint on all sides.
3. Provide skimmer baffle, cleanout pipe and angles constructed of either galvanized steel, aluminum, polyvinyl chloride, polyethylene, fiberglass or acrylonitrile butadiene styrene. Provide hot-dip galvanized steel components, unless stainless.
4. Use Mounting hardware, hinges and latches made of stainless steel. Loss prevention device can use either stainless steel chain or riveted nylon strap.
5. Provide skimmer bodies (baffles) and cleanout pipe meeting Specification 943 for steel, 945 for aluminum or 948 for plastics.

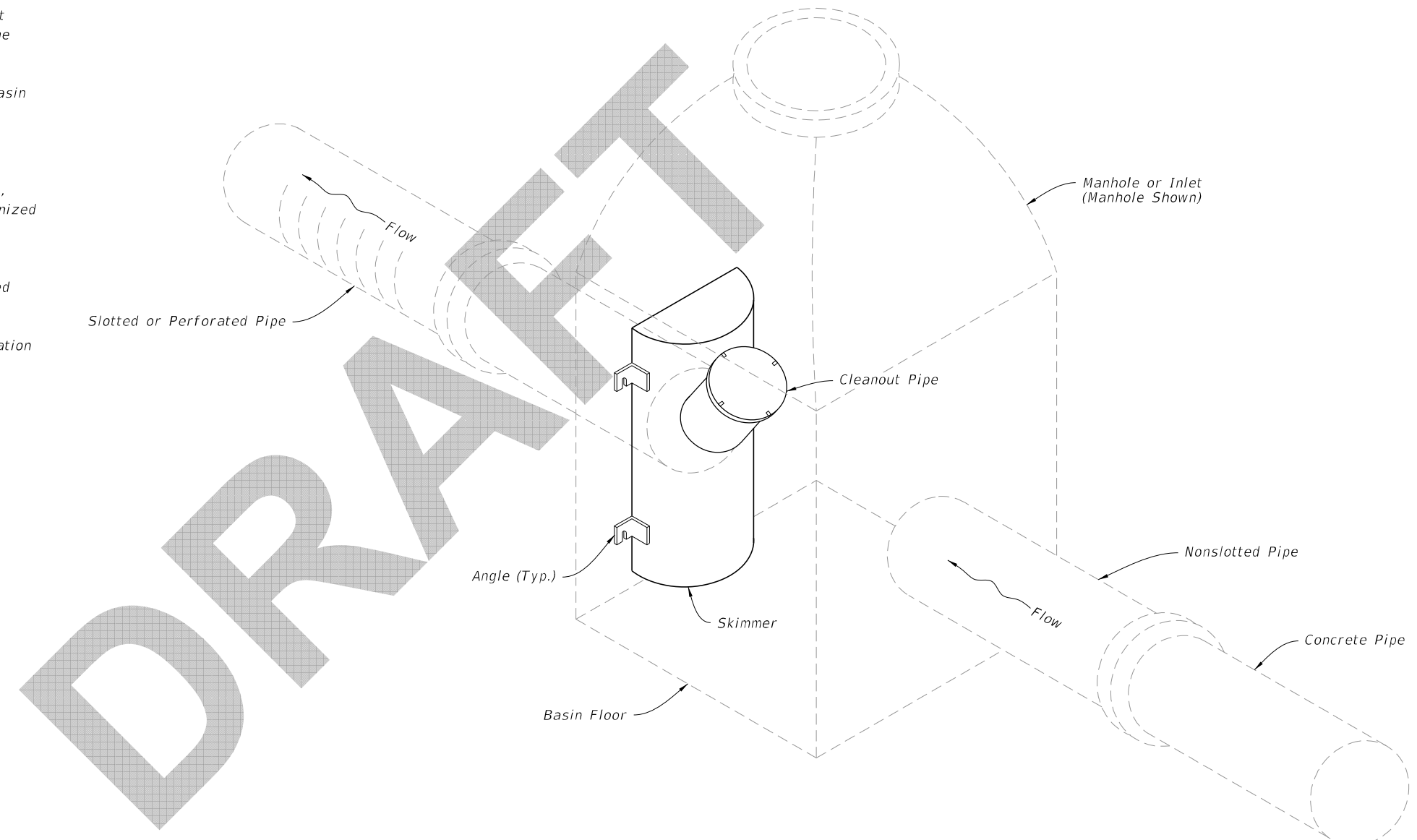
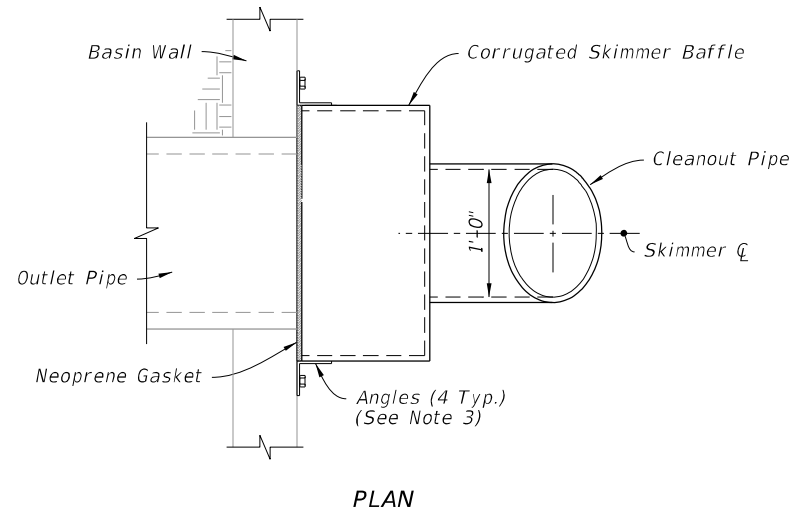


TABLE OF CONTENTS:	
Sheet	Description
1	General Notes and Contents
2	Type I Skimmers
3	Type II Skimmers

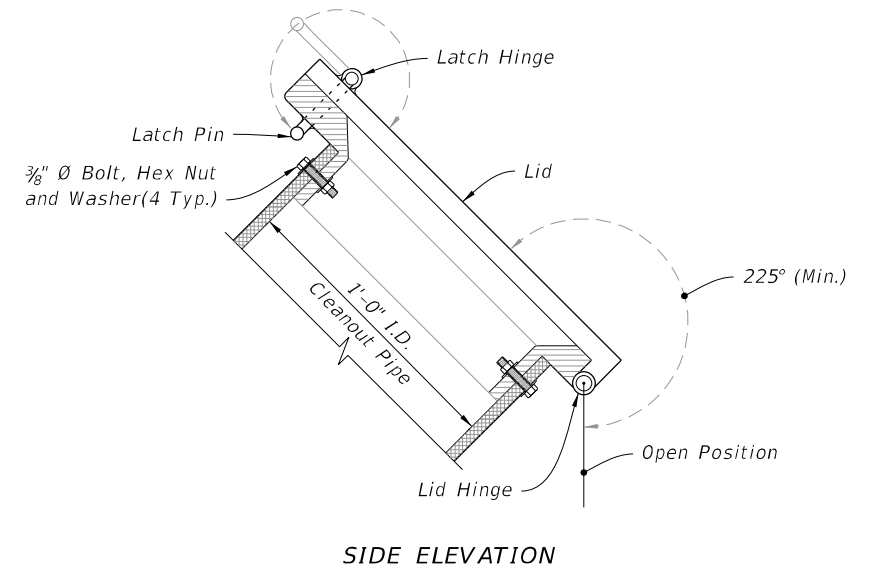
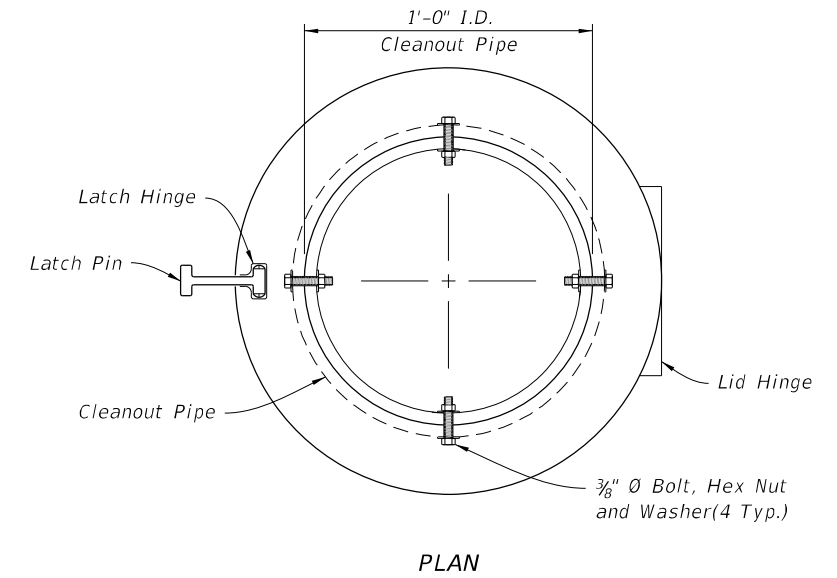
SKIMMER FOR FRENCH DRAIN OUTLETS ASSEMBLY

8/7/2019 6:47:59 AM

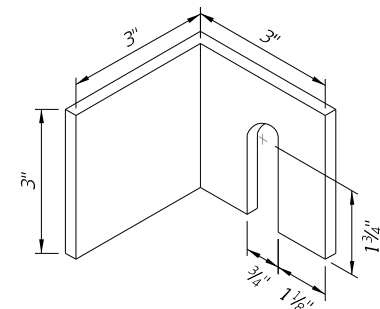
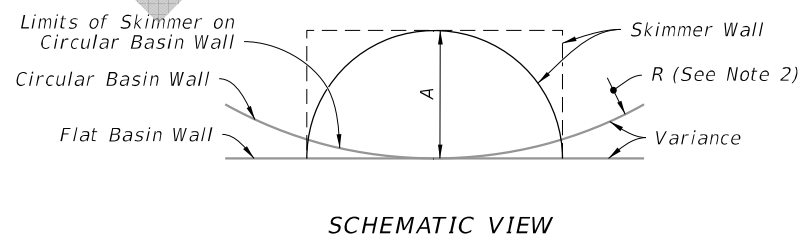
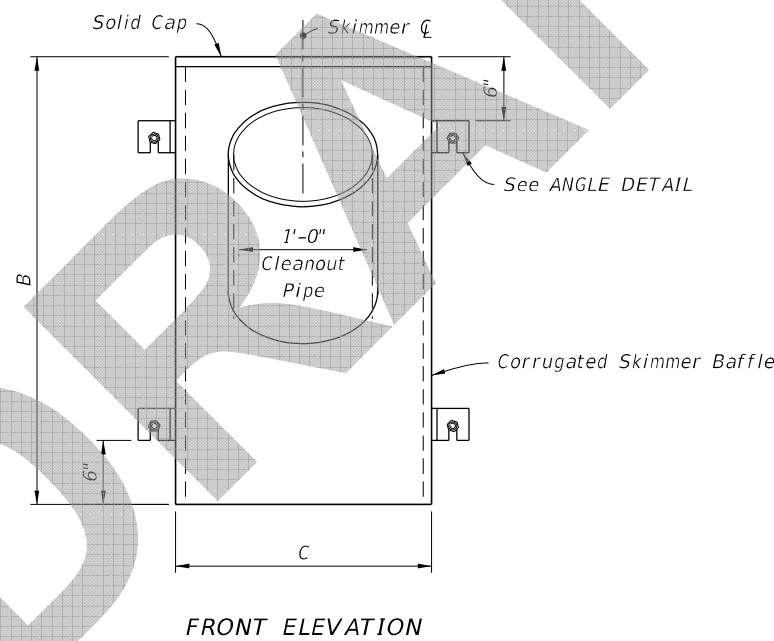
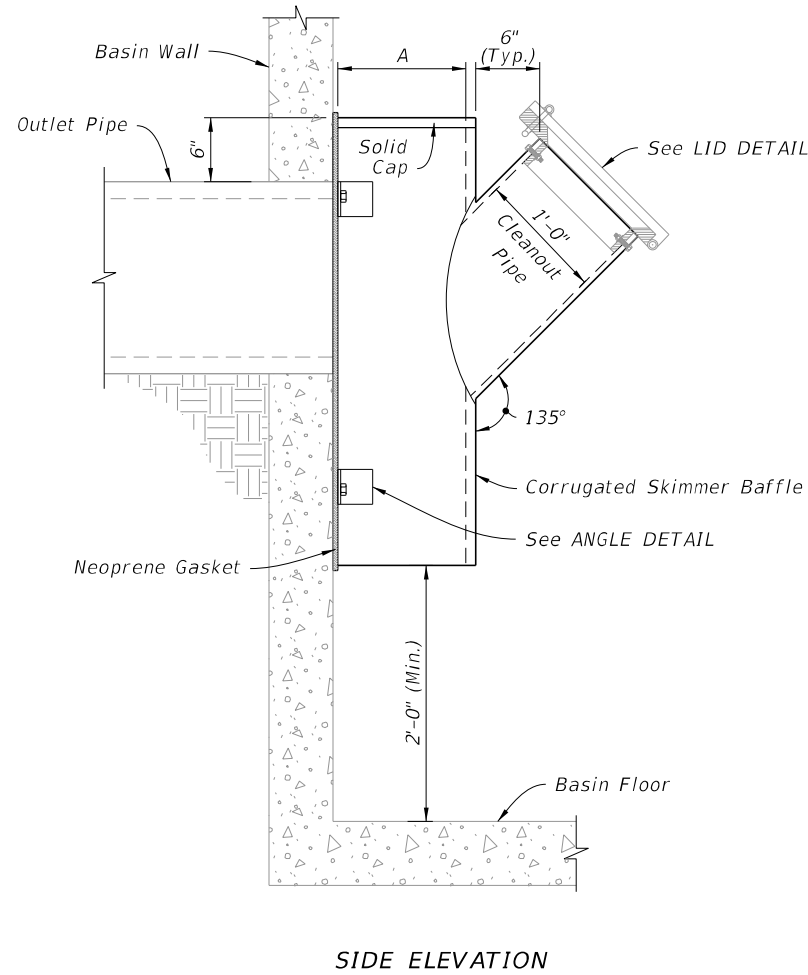


- NOTES:**
1. Conform the backs of skimmers to the shape of the basin walls on which they are mounted.
  2. "R" is the radii required for curved back skimmers. Applies to both skimmer types. See Plans.
  3. Weld Angles at all points of contact with skimmer.

DIMENSION TABLE			
OUTLET PIPE	A	B	C
18"	12"	42"	24"
24"	15"	48"	30"
30"	18"	54"	36"
36"	21"	60"	42"



LID DETAIL



ANGLE DETAIL

TYPE I DETAILS

TYPE I SKIMMERS

6:47:59 AM  
8/7/2019

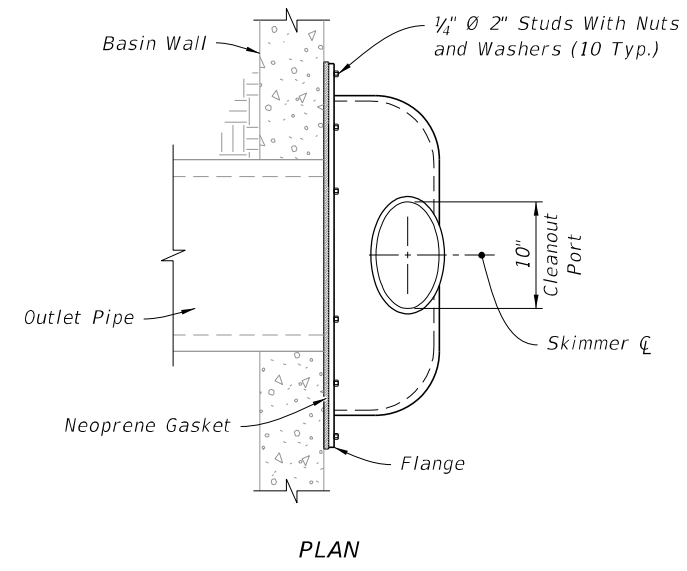
LAST REVISION	DESCRIPTION:
11/01/19	



FY 2020-21  
STANDARD PLANS

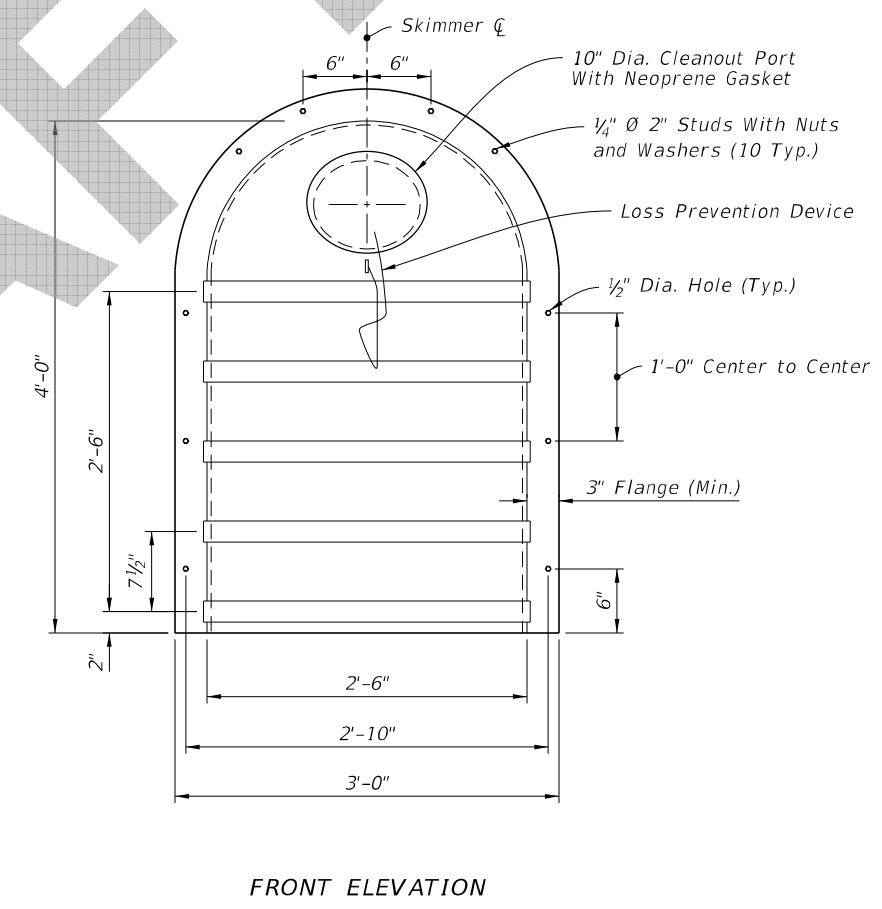
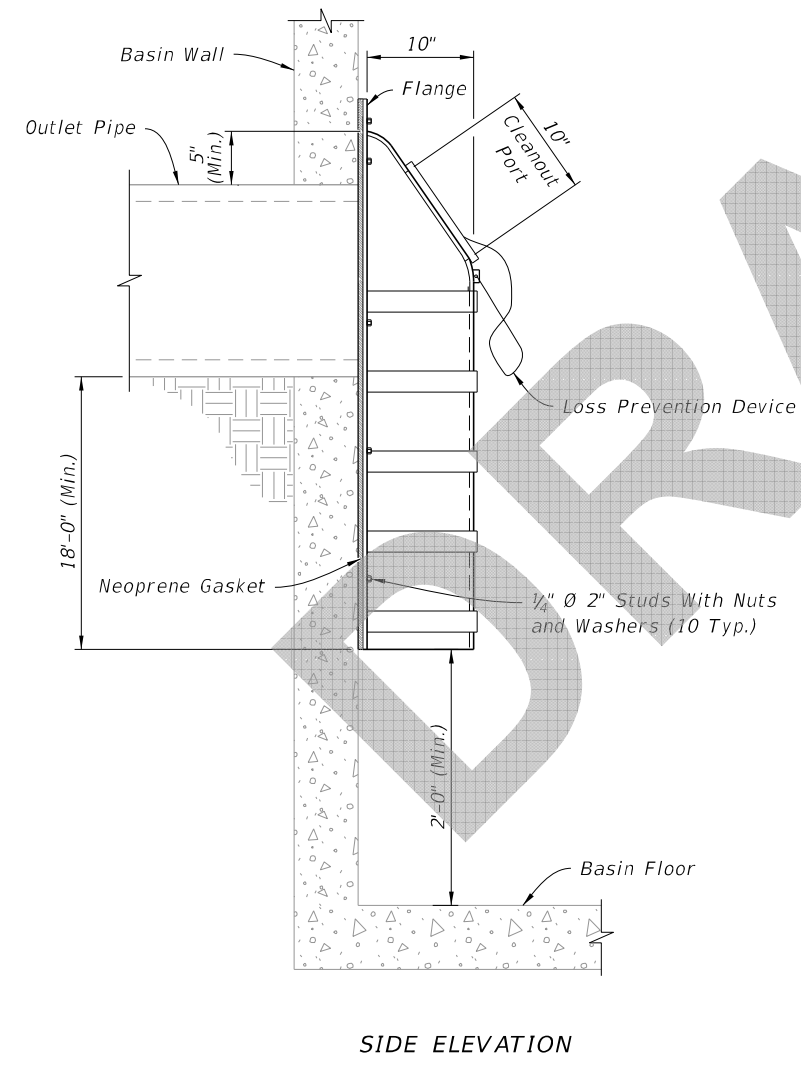
SKIMMERS FOR FRENCH DRAIN OUTLETS

INDEX	SHEET
443-002	2 of 3



**NOTE:**


1. Install a gasket for the cleanout with either a threaded screw-in lid or a lid secured by four stainless steel quick-release latches.



TYPE II DETAILS

6:48:00 AM  
8/7/2019

TYPE II SKIMMERS

LAST REVISION 11/01/19	REVISION	DESCRIPTION:	 FY 2020-21 STANDARD PLANS	SKIMMERS FOR FRENCH DRAIN OUTLETS	INDEX 443-002	SHEET 3 of 3
---------------------------	----------	--------------	---	-----------------------------------	------------------	-----------------