

# ORIGINATION FORM

Proposed Revisions to a Standard Plans Index  
(Please provide all information – Incomplete forms will be returned)

## Contact Information:

Date: May 7, 2018  
Originator: Rick Jenkins  
Phone: (850) 414-4355  
Email: Rick.Jenkins@dot.state.fl.us

## Standard Plans:

Index Number: 440-002  
Sheet Number (s): 1 of 1  
Index Title: Underdrain Inspection Box

## Summary of the changes:

Reorganized Index into multiple sheets. Updated Notes language.

## Commentary / Background:

Note language updated to first person imperative to meet current standards.

## Other Affected Offices / Documents: (Provide name of responsible personnel)

- | Yes                      | No                                  |                             |
|--------------------------|-------------------------------------|-----------------------------|
| <input type="checkbox"/> | <input checked="" type="checkbox"/> | Other Standard Plans –      |
| <input type="checkbox"/> | <input type="checkbox"/>            | FDOT Design Manual –        |
| <input type="checkbox"/> | <input type="checkbox"/>            | Basis of Estimates Manual – |
| <input type="checkbox"/> | <input type="checkbox"/>            | Standard Specifications –   |
| <input type="checkbox"/> | <input type="checkbox"/>            | Approved Product List –     |
| <input type="checkbox"/> | <input type="checkbox"/>            | Construction –              |
| <input type="checkbox"/> | <input type="checkbox"/>            | Maintenance –               |

## Origination Package Includes: (Email or hand deliver package to Derwood Sheppard)

- | Yes                                 | N/A                      |   |
|-------------------------------------|--------------------------|---|
| <input checked="" type="checkbox"/> | <input type="checkbox"/> | Redline Mark-ups                          |
| <input type="checkbox"/>            | <input type="checkbox"/> | Proposed Standard Plan Instructions (SPI) |
| <input type="checkbox"/>            | <input type="checkbox"/> | Revised SPI                               |
| <input type="checkbox"/>            | <input type="checkbox"/> | Other Support Documents                   |

## Implementation:

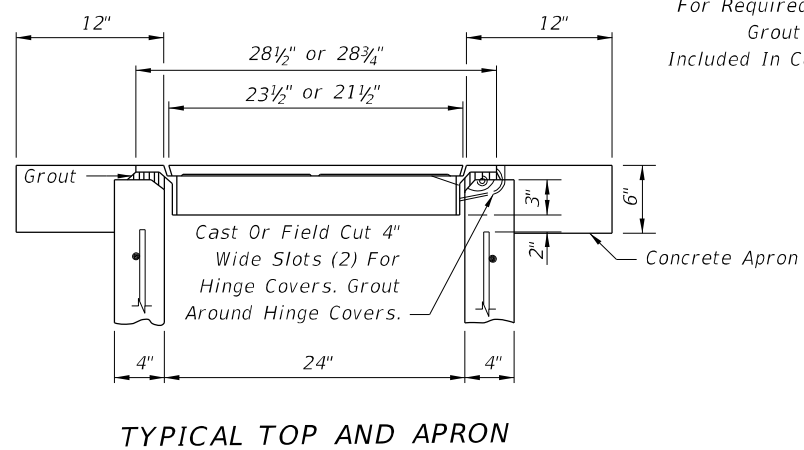
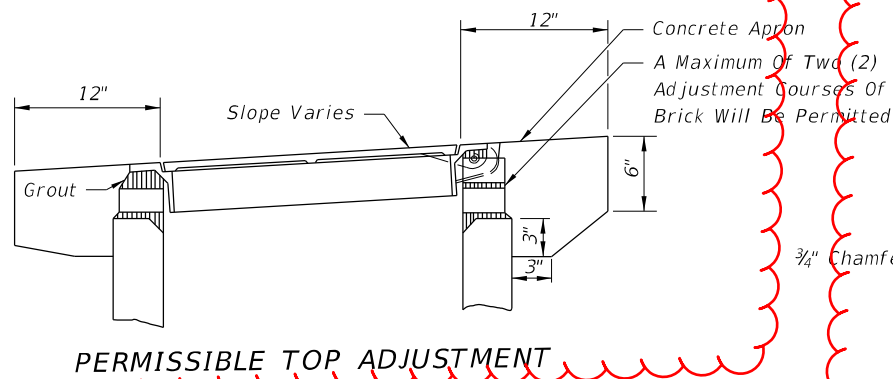
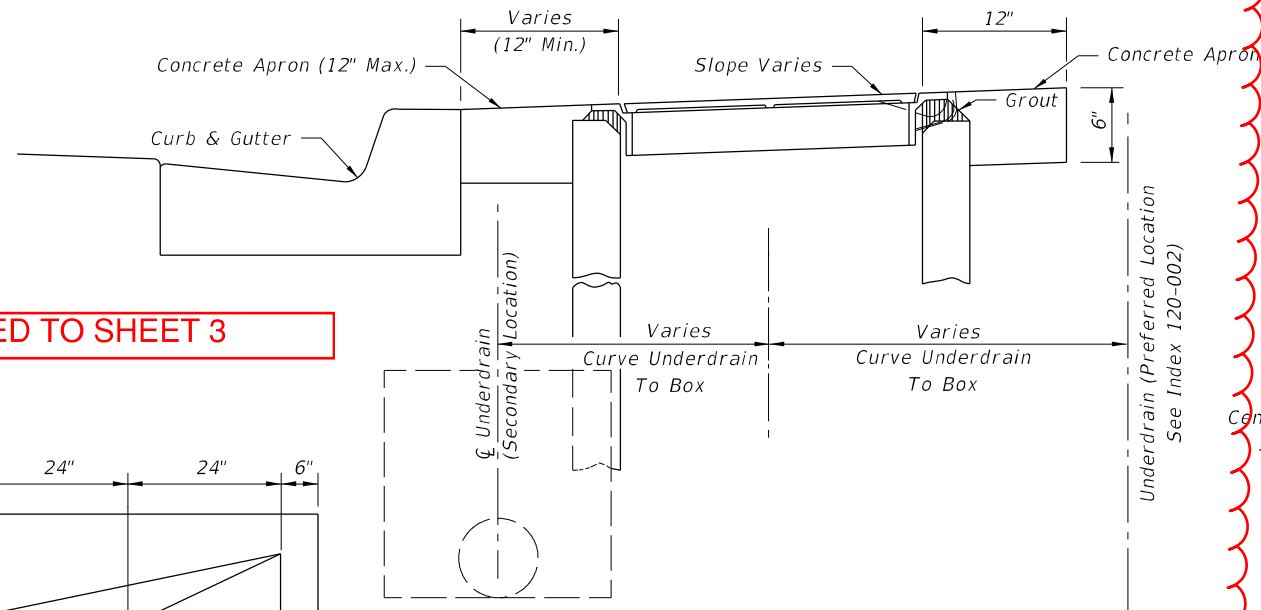
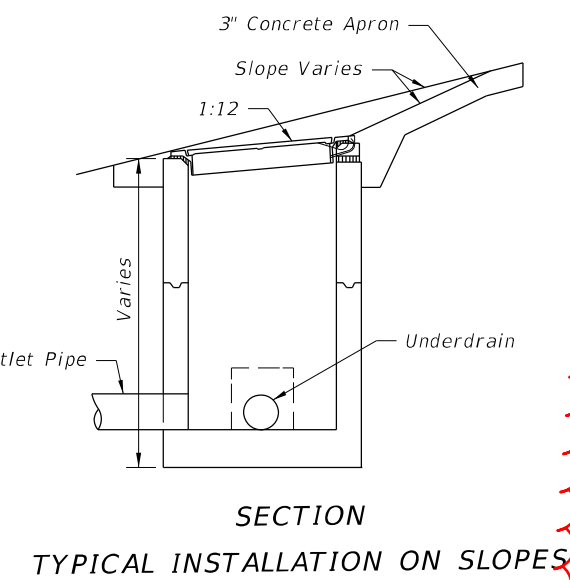
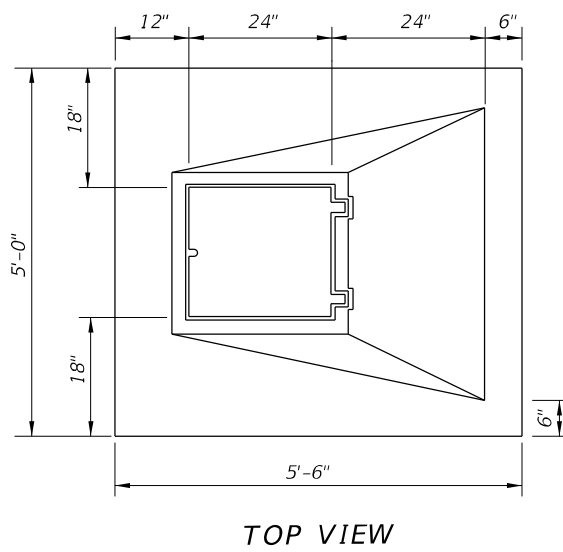
- Design Bulletin (Interim)    DCE Memo    Program Mgmt. Bulletin    FY-Standard Plans (Next Release)

Contact the Roadway Design Office for assistance in completing this form

NEW SHEET 1 OF 3

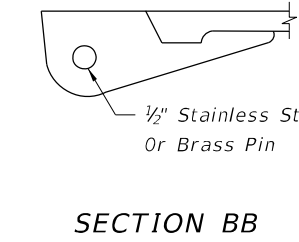
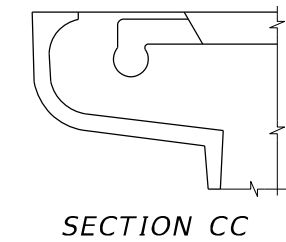
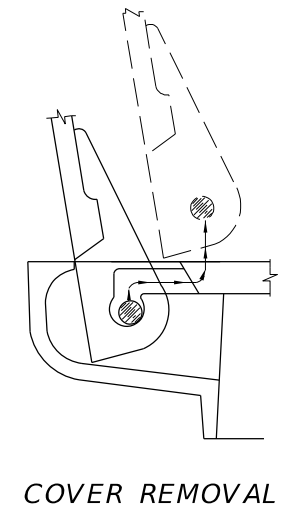
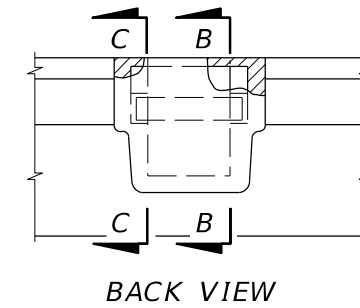
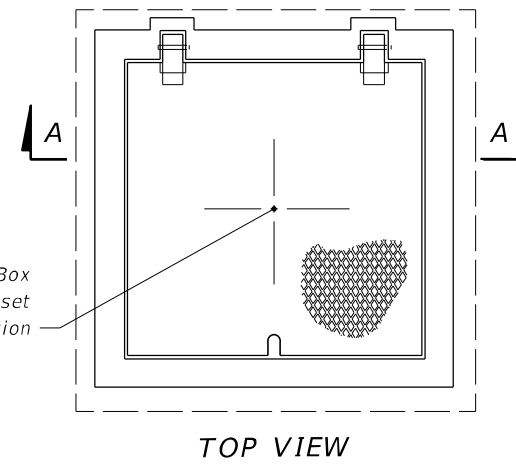
"GENERAL NOTES - TABLE OF CONTENTS - UNDERDRAIN INSPECTION BOX ASSEMBLY

**MOVED TO SHEET 3**

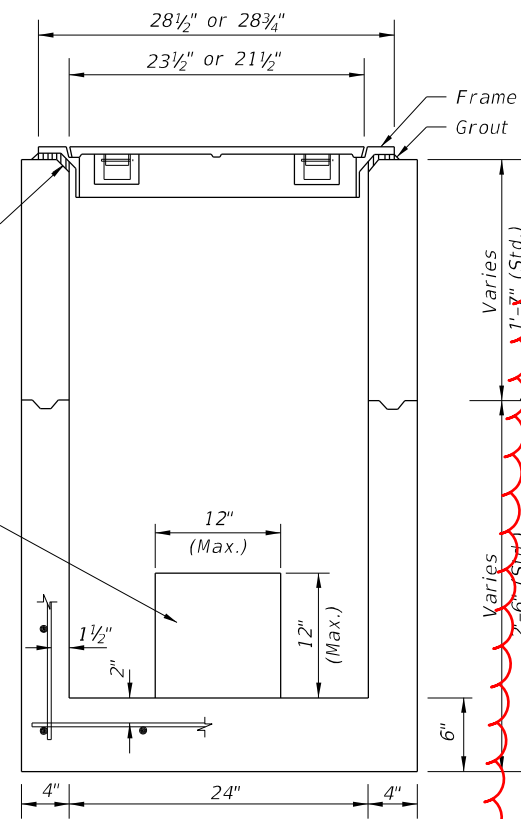


Typical Opening, One Or More Sides. See Plans For Required Openings. Grout Fill To Be Included In Cost Of Box

**MOVED TO SHEET 2**



**HINGE DETAIL**



Optional Construction Joint Permitted

**GENERAL NOTES**

1. Light duty cast iron cover and frame, see Specifications Section 962.
2. Concrete shall be 4000 psi concrete may be used in plants meeting requirements in 449 of the Specifications. Box shall be reinforced with No. 3 bars (Grade 60) on 8" centers both ways, sides and bottom.
3. Concrete apron to be included in the contract unit price for Underdrain Inspection Box.
4. All covers shall be furnished with pick holes. Fitted lifts or handles are not permitted.
5. Manhole Type P Alternate A, Index 425-010, with Type I Frame and Cover, Index 425-001, may be used in lieu of the box detailed on this sheet, and is recommended when high ADT increases chance of the repeated vehicle loadings.

**SHEET 1 UPDATED NOTES**

**SHEET 1 of 3**

10/18/2018 10:56:50 AM

LAST REVISION	DESCRIPTION
11/01/17	
	11/01/19

**FDOT** FY 2019-20 STANDARD PLANS

**UNDERDRAIN INSPECTION BOX**

INDEX SHEET  
440-002 1 of 1

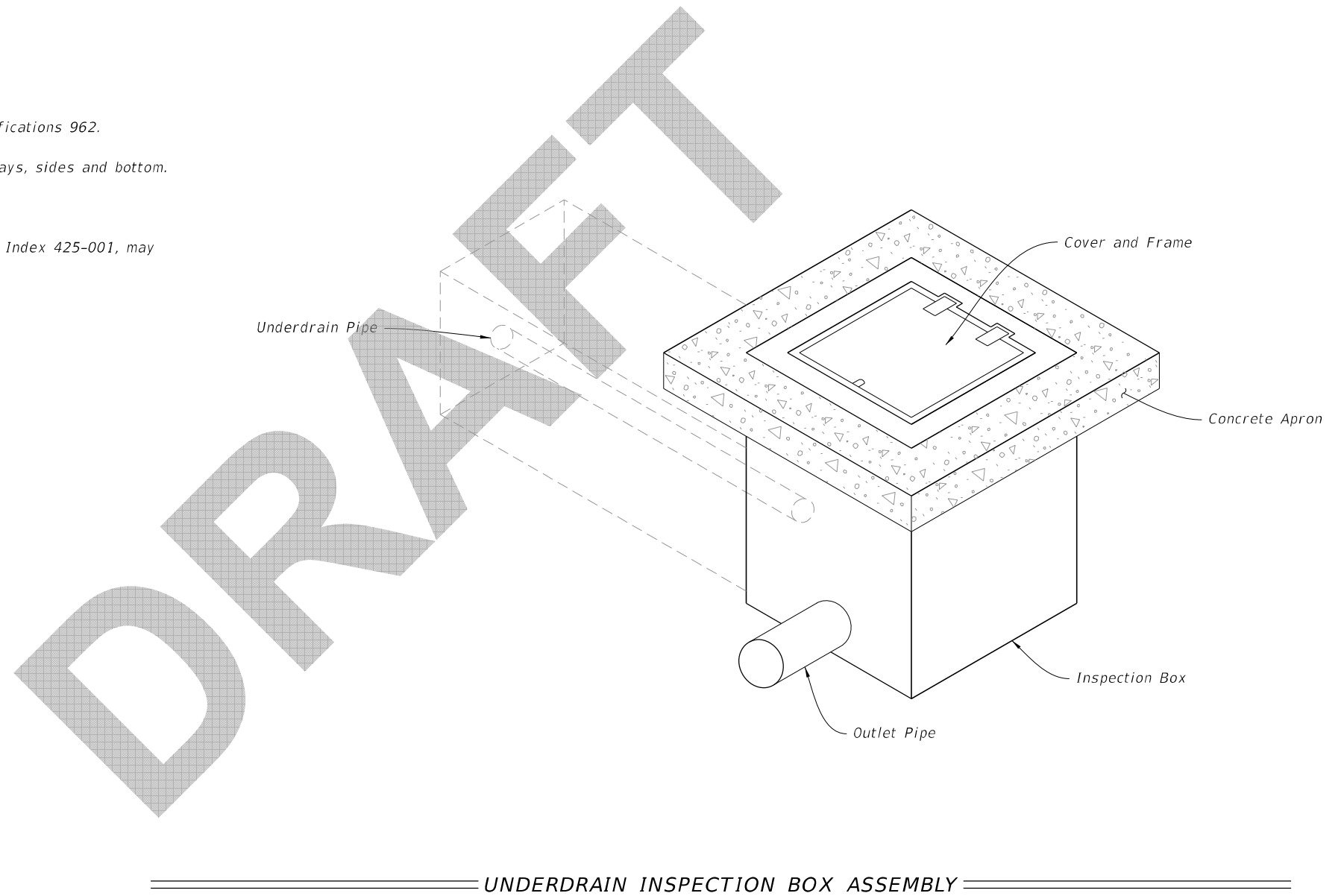
NEW SHEET 3 OF 3

TYPICAL URBAN, SLOPE, AND TOP ADJUSTMENT INSTALLATIONS

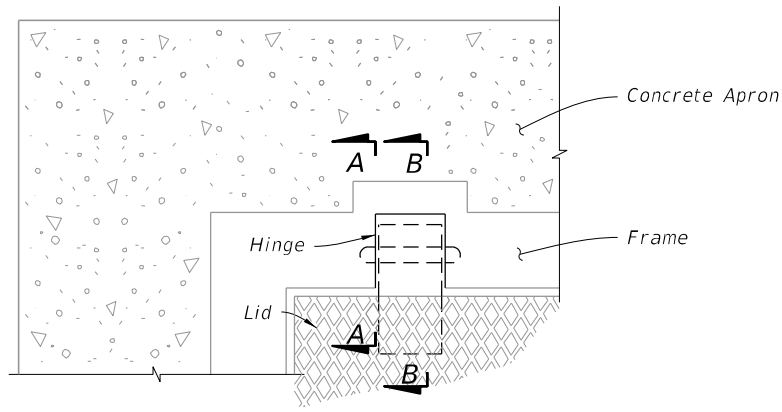
**GENERAL NOTES:**

1. Install light duty cast iron cover and frame in accordance with Specifications 962.
2. Use Class 1 concrete. Use No. 3 bars (Grade 60) on 8" centers both ways, sides and bottom.
3. Furnish covers with pick holes. Do not use fitted lifts or handles.
4. Manhole Type P Alternate A, Index 425-010, Type I Frame and Cover, Index 425-001, may be used in lieu of the box detailed in this Index.

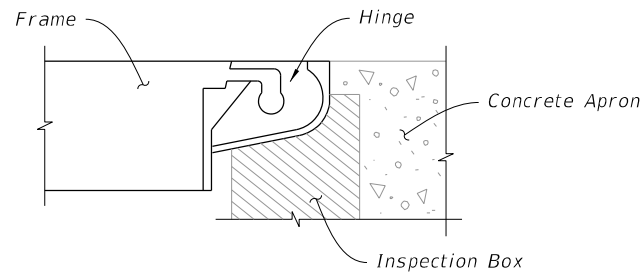
TABLE OF CONTENTS:	
Sheet	Description
1	General Notes and Contents
2	Typical Inspection Box Installation
3	Typical Urban, Slope, and Top Adjustment Installations



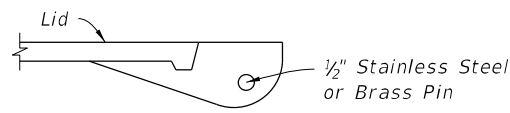
8/7/2019 6:57:04 AM



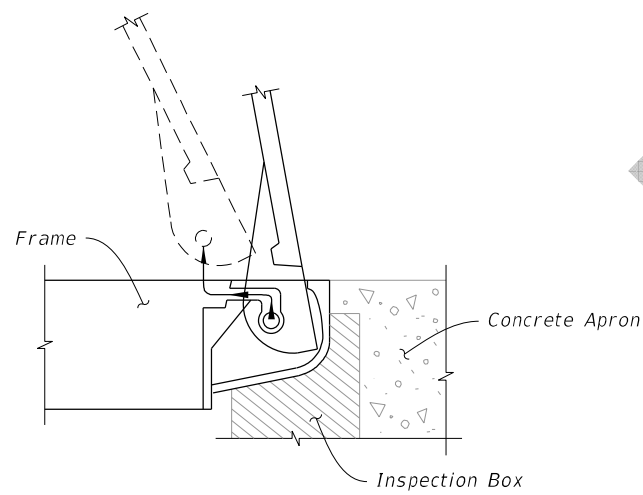
PLAN VIEW



SECTION A-A  
(Frame)

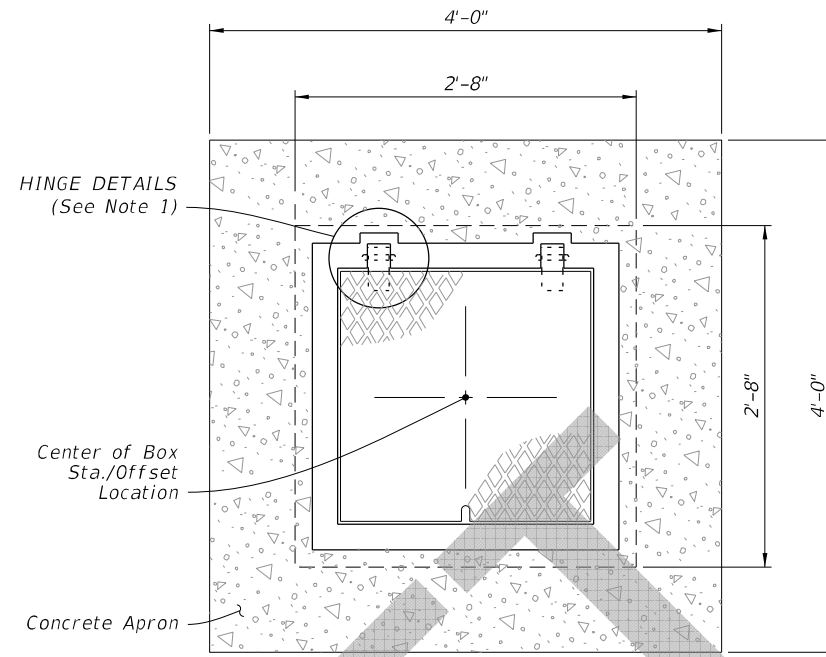


SECTION B-B  
(Lid)

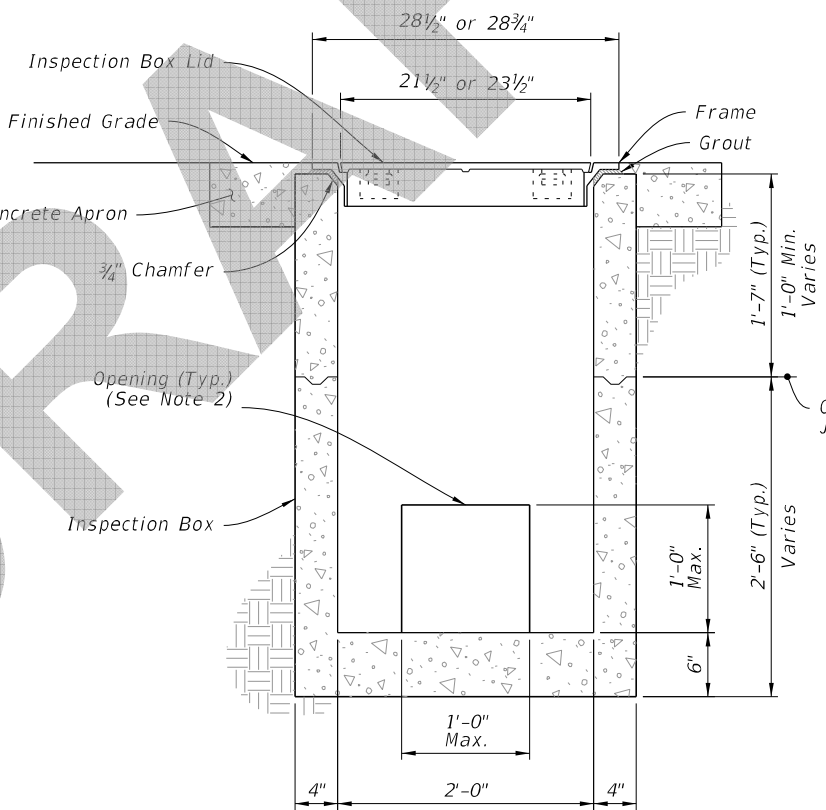


COVER REMOVAL

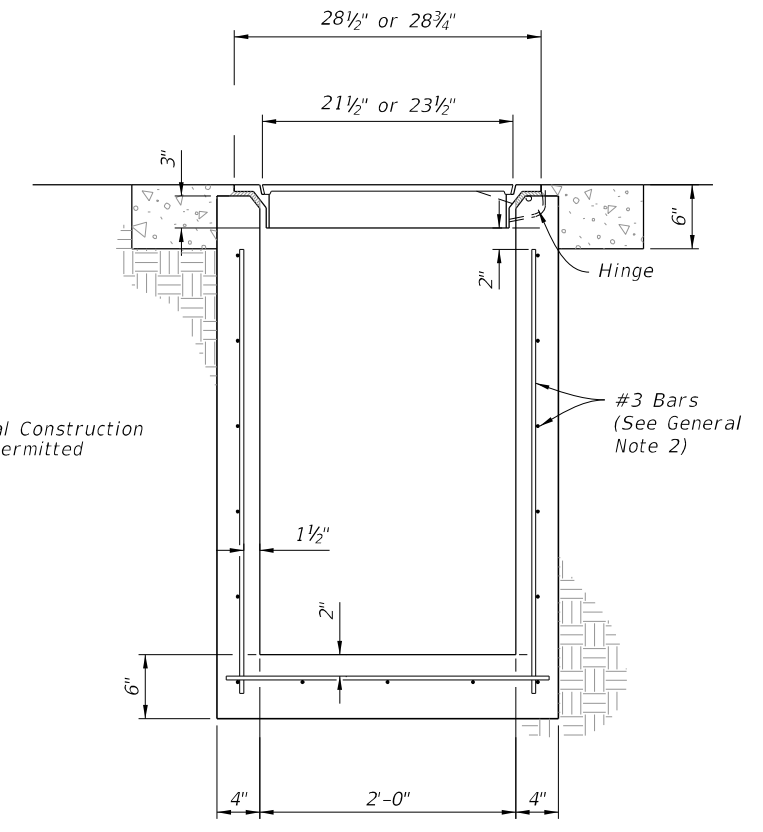
HINGE DETAIL



PLAN



ELEVATION  
(FRONT VIEW)



ELEVATION  
(SIDE VIEW)

**NOTES:**

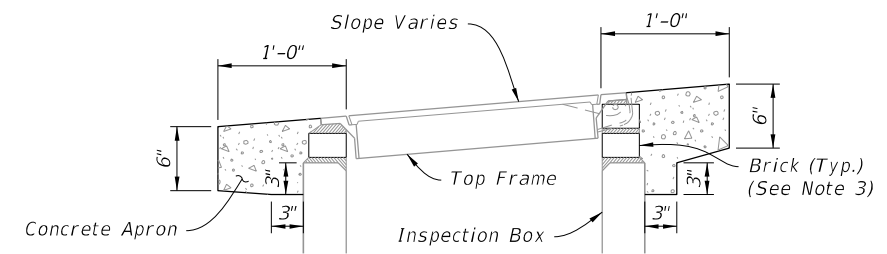
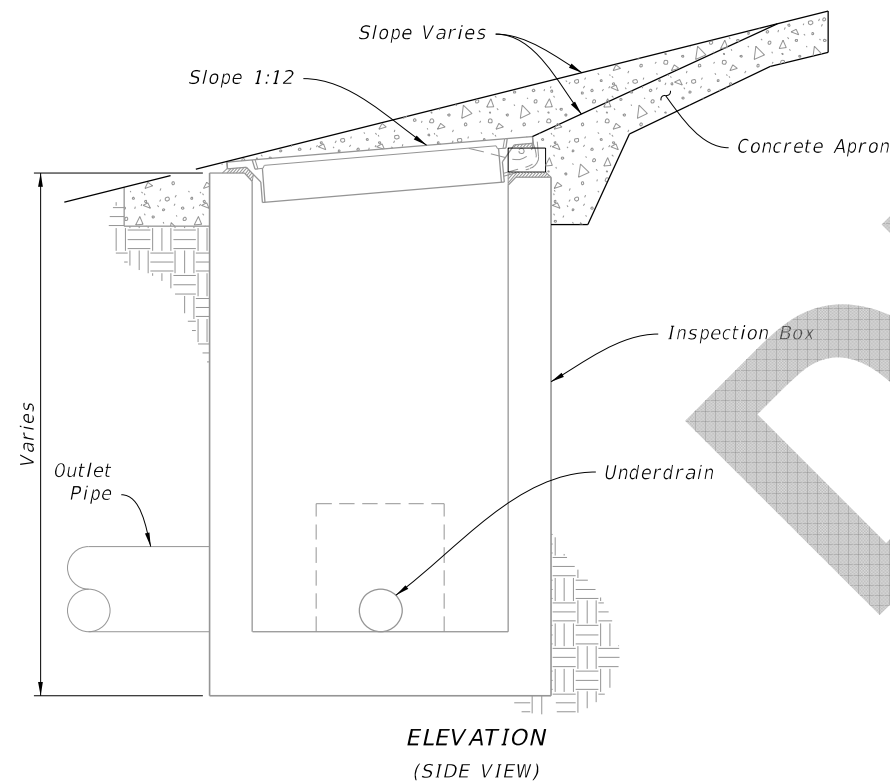
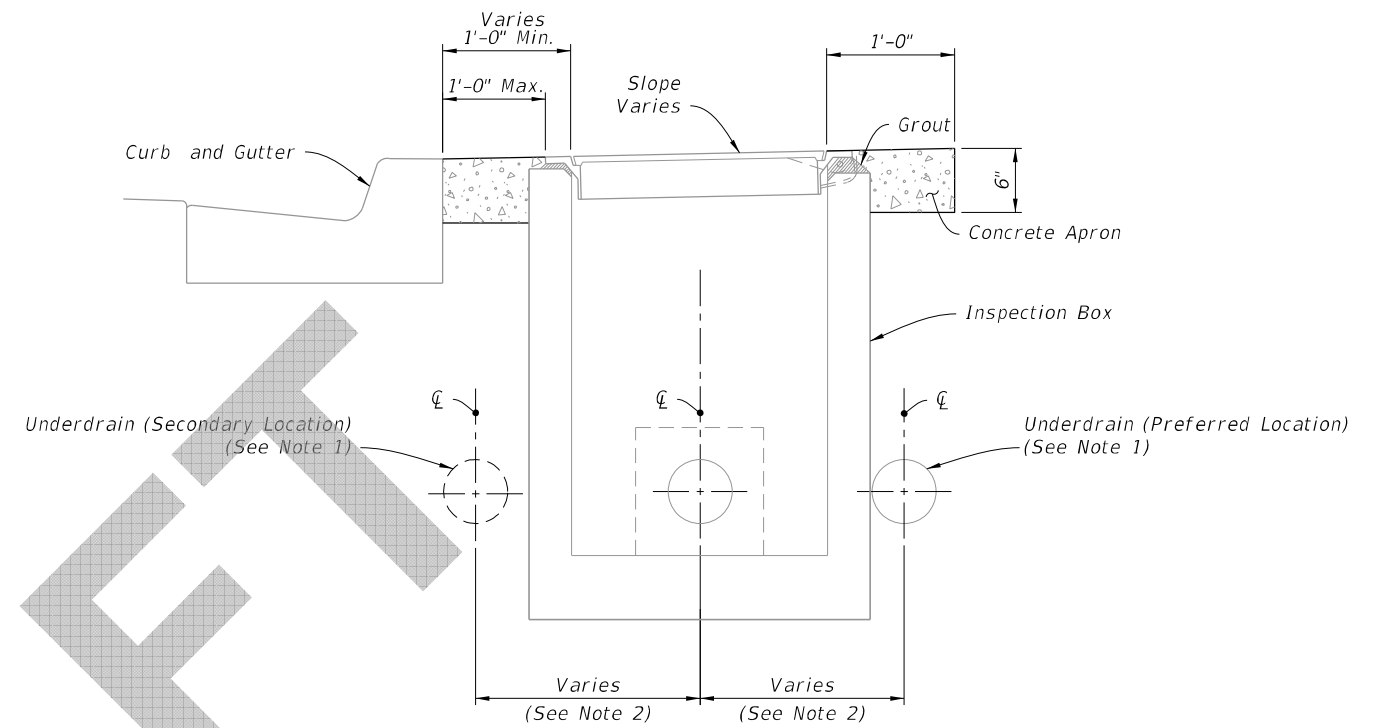
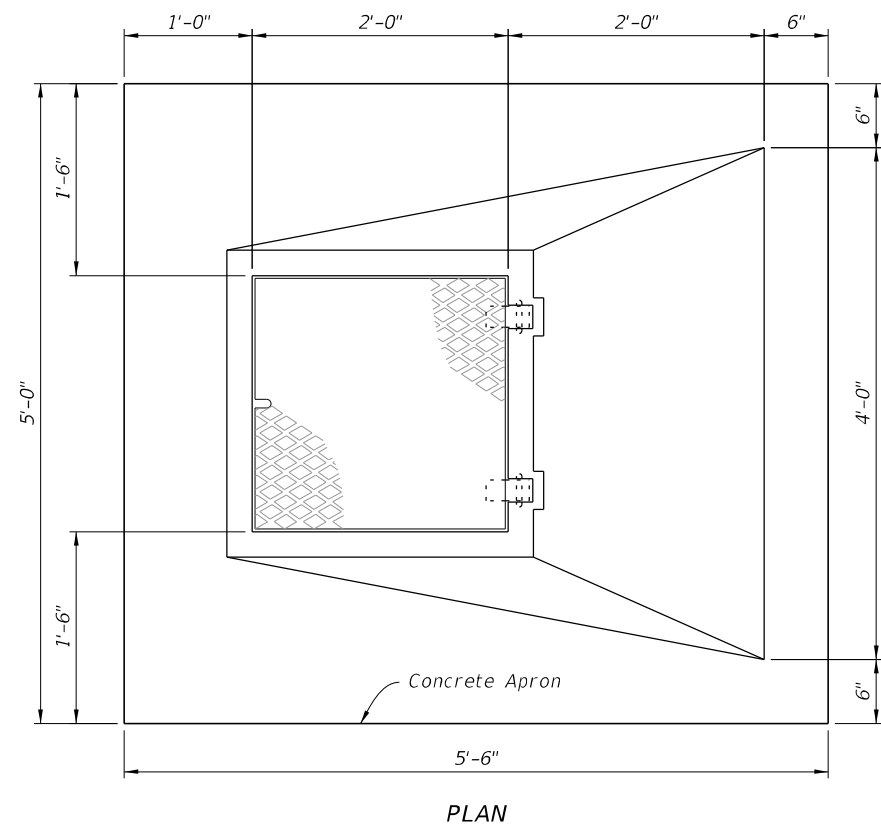
1. Cast or field cut 2 ~ 4" wide slots for hinges. Grout around hinge covers.
2. One or more sides may have an opening, see Plans for required openings. Grout around opening to seal between underdrain pipe and inspection box.

INSPECTION BOX DETAILS

**TYPICAL INSPECTION BOX INSTALLATION**

6:57:05 AM  
8/7/2019

LAST REVISION 11/01/19	REVISION	DESCRIPTION:		FY 2020-21 STANDARD PLANS	UNDERDRAIN INSPECTION BOX	INDEX 440-002	SHEET 2 of 3
---------------------------	----------	--------------	--	------------------------------	---------------------------	------------------	-----------------



TYPICAL URBAN INSTALLATION

TOP ADJUSTMENT

NOTES:

1. See Index 120-002 for Underdrain placement.
2. Curve the Underdrain to connect to the Inspection Box.
3. A maximum of 2 adjustment courses of brick is permitted.

INSTALLATION ON SLOPE

TYPICAL URBAN, SLOPE, AND TOP ADJUSTMENT INSTALLATIONS

UNDERDRAIN INSPECTION BOX

INDEX  
440-002

SHEET  
3 of 3

6/7/2019 6:57:06 AM



FY 2020-21  
STANDARD PLANS

LAST REVISION	DESCRIPTION:
11/01/19	