

---

## Index 440-001 Underdrain

### ORIGINATION

**Date:** 8-27-19

**Name:** Rick Jenkins

**Phone:** 850 414-4355

**Email:** Rick.Jenkins@dot.state.fl.us

### COMMENTARY

Updated and Reorganized Index. Added new Sheet for General Notes.

Deleted Design Notes. Updated Notes language.

### COMMENTS AND RESPONSES

**BLACK** = Industry Review Comments    **RED** = Standard Plans Response

**Name:** Ron Cox

**Date:** July 23, 2019

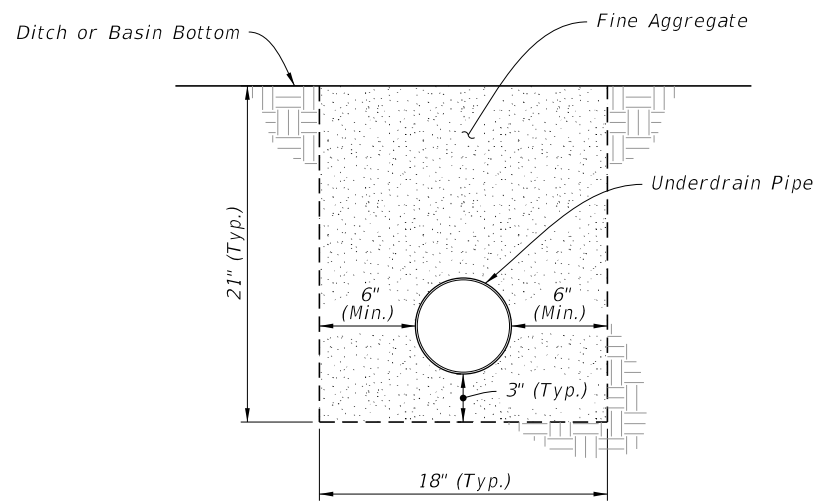
#### **COMMENT:**

- 1) Type I Underdrain detail, label and show filter fabric around the underdrain.
- 2) For Type III underdrain detail, label and show filter fabric separating the entire envelope between the Course Aggregate and Fine Aggregate.

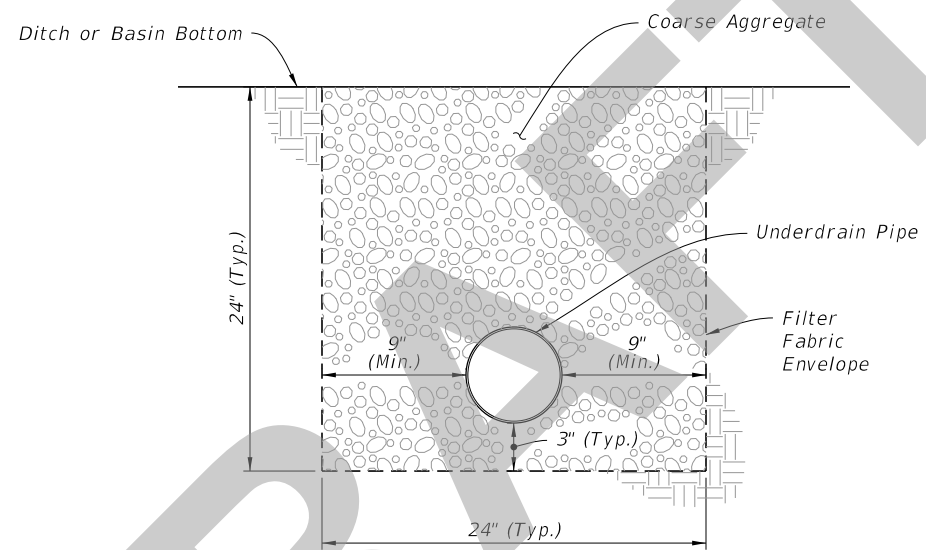
#### **RESPONSE:**

**Date:** August 26, 2019

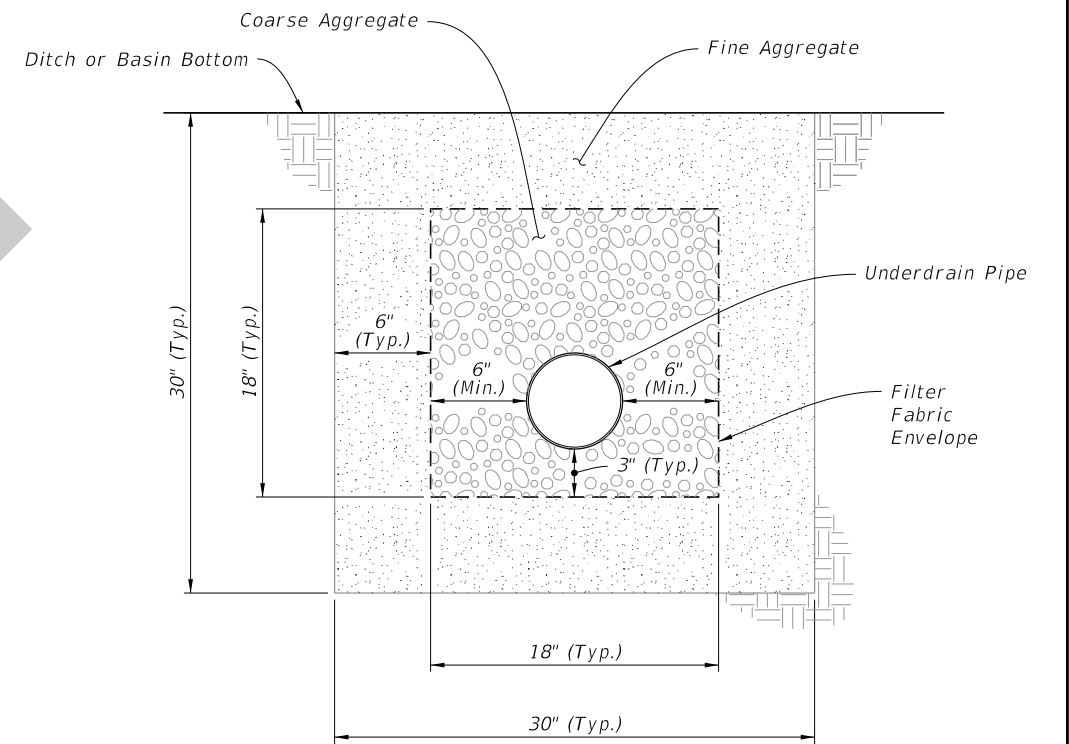
- 1) The original index did not have filter fabric for Type I. That's why filter fabric sock is used when Type I is used. It was intentionally not included.
- 2) We will add the filter fabric for Type III.



TYPE I



TYPE II



TYPE III

9/24/2019 9:40:25 AM

LAST REVISION 11/01/19	DESCRIPTION:
---------------------------	--------------



FY 2020-21  
STANDARD PLANS

UNDERDRAIN

TYPE I, II, AND III

INDEX  
440-001

SHEET  
2 of 3