

Index 430-040

Winged Concrete Endwalls Single Round Pipe

ORIGINATION

Date: May 7, 2018

Name: Rick Jenkins

Phone: (850) 414-4355

Email: Rick.Jenkins@dot.state.fl.us

COMMENTARY

ALL Sheets: Renamed Index; Reorganized Index.

Sheet 1: General Notes and Overview. Moved specification and payment information to Specifications. Deleted design information covered in the Design Manual. Added note on quantities for estimating purposes only.

Sheet 2: Details from old Sheet 1.

COMMENTS AND RESPONSES

BLACK = Industry Review Comments **RED** = Standard Plans Response

Name: Erin Yao

Date: August 8, 2019

COMMENT: D in the dimension not changed.

CONCRETE ENDWALL WITH U-TYPE WINGS FOR PIPE CULVERTS

**TABLE OF DIMENSIONS AND ESTIMATED QUANTITIES
PIPE CULVERT ENDWALLS WITH U-TYPE WINGS**

DIMENSIONS			QUANTITIES IN ONE ENDWALL						
Wall	Footings		Concrete, Class 1, Total (CY)				Steel Tie Bars		
	H	K	RCP		CMP			CIP	
	F	J	Inlet	Outlet	Inlet	Outlet	Inlet	Outlet	
3'-0"	1'-3"	2'-3"	0.48	0.55	0.49	0.57	0.49	0.57	
2'-0"	1'-3"	2'-3"	0.59	0.67	0.62	0.70	0.61	0.70	
2'-6"	1'-9"	2'-11"	0.70	0.79	0.74	0.82	0.74	0.82	
3'-0"	2'-6"	3'-8"	1.01	1.11	1.06	1.16	1.06	1.16	

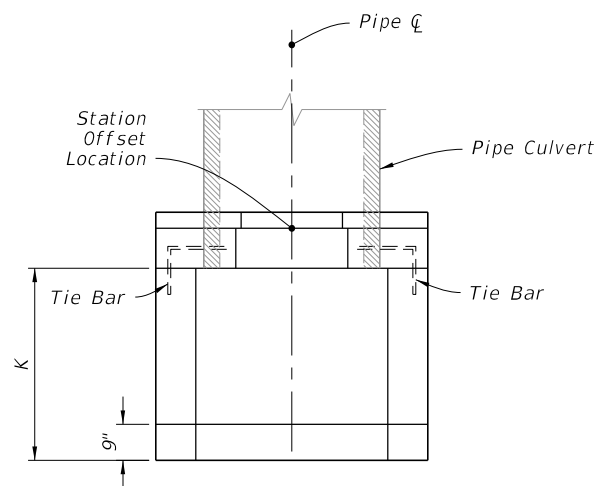
CONCRETE ENDWALL WITH PIPE CULVERT EN

Opening	DIMENSIONS				Foot	
	Area (ft ²)	H	G	L		M
15"	1.2	2'-3"	3'-3"	1'-0"	1'-3"	1'
18"	1.8	2'-6"	3'-10"	1'-2"	1'-7"	1'
24"	3.1	3'-0"	4'-4"	1'-5"	2'-1"	1'

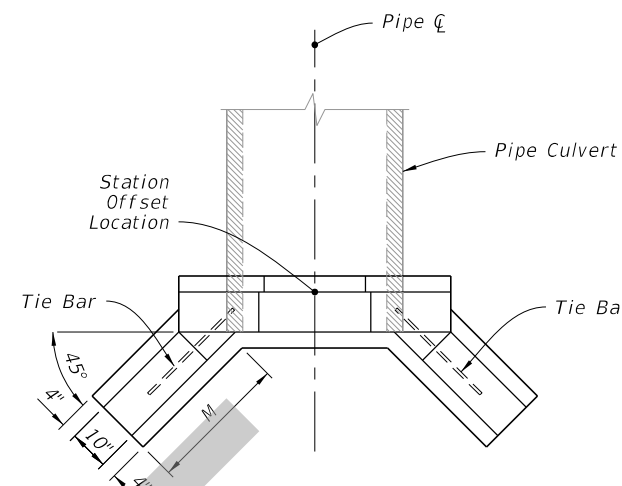
RESPONSE:

Date: August 8, 2019

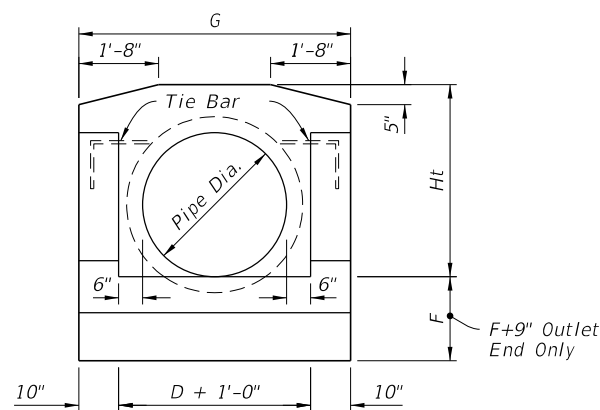
D and Dia. Are interchangeable. The table was update to include both.



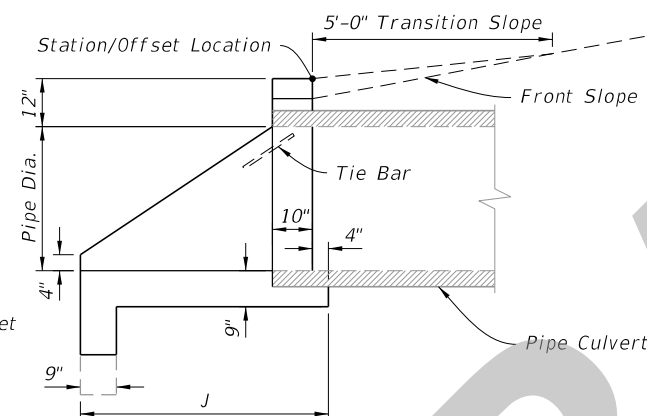
PLAN



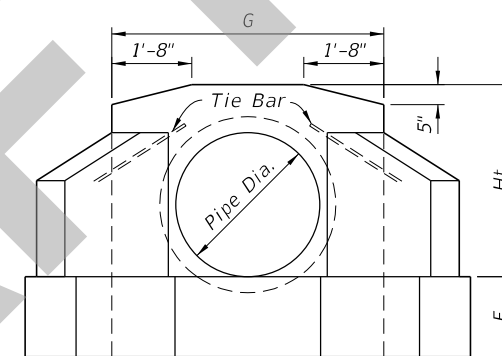
PLAN



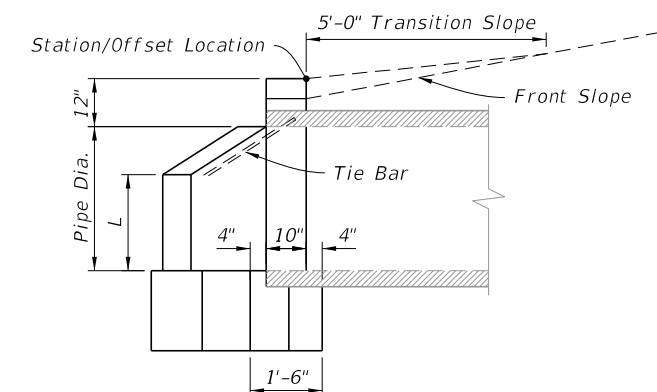
FRONT ELEVATION



SIDE ELEVATION



FRONT ELEVATION



SIDE ELEVATION

DIMENSIONS AND ESTIMATED QUANTITIES PIPE CULVERT ENDWALLS WITH U-TYPE WINGS													
DIMENSIONS							QUANTITIES IN ONE ENDWALL						
Pipe Dia. D	Area (ft ²)	Wall		Footing			Concrete, Class I, Total (CY)						Steel Tie Bars
		G	Ht	K	F	J	RCP		CMP		CIP		
		Inlet	Outlet	Inlet	Outlet	Inlet	Outlet	Inlet	Outlet	Inlet	Outlet		
15"	1.2	3'-11"	2'-3"	1'-5"	1'-3"	2'-7"	0.59	0.67	0.62	0.70	0.61	0.70	none
18"	1.8	4'-2"	2'-6"	1'-9"	1'-3"	2'-11"	0.70	0.79	0.74	0.82	0.74	0.82	none
24"	3.1	4'-8"	3'-0"	2'-6"	1'-6"	3'-8"	1.01	1.11	1.06	1.16	1.06	1.16	2-#6 Bars x 2'-0"
30"	4.9	5'-2"	3'-6"	3'-3"	1'-6"	4'-5"	1.33	1.44	1.41	1.51	1.40	1.51	2-#6 Bars x 2'-0"
36"	7.1	5'-8"	4'-0"	4'-0"	1'-9"	5'-2"	1.73	1.85	1.84	1.96	1.82	1.94	2-#6 Bars x 2'-6"
42"	9.6	6'-2"	4'-6"	4'-9"	2'-0"	5'-11"	2.19	2.32	2.32	2.45			2-#6 Bars x 2'-6"
48"	12.6	6'-8"	5'-0"	5'-6"	2'-0"	6'-8"	2.64	2.78	2.81	2.95			2-#6 Bars x 3'-0"

ENDWALL WITH U-TYPE WINGS

DIMENSIONS AND ESTIMATED QUANTITIES PIPE CULVERT ENDWALLS WITH 45° WINGS												
DIMENSIONS							QUANTITIES IN ONE ENDWALL					
Pipe Dia. D	Area (ft ²)	Ht	Wall			Footing F	Concrete, Class I					Steel Tie Bars
			G	L	M		Total (CY)					
			RCP	CMP	CIP							
15"	1.2	2'-3"	3'-7"	1'-0"	1'-3"	1'-3"	0.56	0.59	0.59	none		
18"	1.8	2'-6"	3'-10"	1'-2"	1'-7"	1'-3"	0.74	0.77	0.77	none		
24"	3.1	3'-0"	4'-4"	1'-5"	2'-1"	1'-4"	1.01	1.06	1.06	2-#6 Bars x 2'-0"		
30"	4.9	3'-6"	4'-10"	1'-9"	2'-5"	1'-6"	1.32	1.40	1.39	2-#6 Bars x 2'-0"		
36"	7.1	4'-0"	5'-4"	2'-0"	2'-11"	1'-8"	1.72	1.83	1.82	2-#6 Bars x 2'-6"		
42"	9.6	4'-6"	5'-10"	2'-3"	3'-6"	2'-0"	2.34	2.47		2-#6 Bars x 2'-6"		
48"	12.6	5'-0"	6'-4"	2'-6"	4'-0"	2'-0"	2.74	2.90		2-#6 Bars x 2'-6"		

ENDWALL WITH 45° WINGS

8/12/2019 1:26:41 PM

U-TYPE AND 45° ENDWALLS