

ORIGINATION FORM

Proposed Revisions to a Standard Plans Index
(Please provide all information – Incomplete forms will be returned)

Contact Information:

Date: May 7, 2018
Originator: Rick Jenkins
Phone: (850) 414-4355
Email: Rick.Jenkins@dot.state.fl.us

Standard Plans:

Index Number: 430-034
Sheet Number (s): 1 of 1
Index Title: Straight Concrete Endwalls - Single 84" Pipe

Summary of the changes:

Reorganized Index. Moved payment and specification information to Specifications.
Sheet 1: General Notes and Overview.
Sheet 2 Bar naming conventions Updated to reflect Horizontal, Vertical, and Bent bars.

Commentary / Background:

The Index was reorganized to de-clutter the drawings and make them more user-friendly.

Other Affected Offices / Documents: (Provide name of responsible personnel)

- | Yes | No | |
|-------------------------------------|-------------------------------------|-----------------------------|
| <input type="checkbox"/> | <input checked="" type="checkbox"/> | Other Standard Plans – |
| <input type="checkbox"/> | <input type="checkbox"/> | FDOT Design Manual – |
| <input type="checkbox"/> | <input type="checkbox"/> | Basis of Estimates Manual – |
| <input checked="" type="checkbox"/> | <input type="checkbox"/> | Standard Specifications – |
| <input type="checkbox"/> | <input type="checkbox"/> | Approved Product List – |
| <input type="checkbox"/> | <input type="checkbox"/> | Construction – |
| <input type="checkbox"/> | <input type="checkbox"/> | Maintenance – |

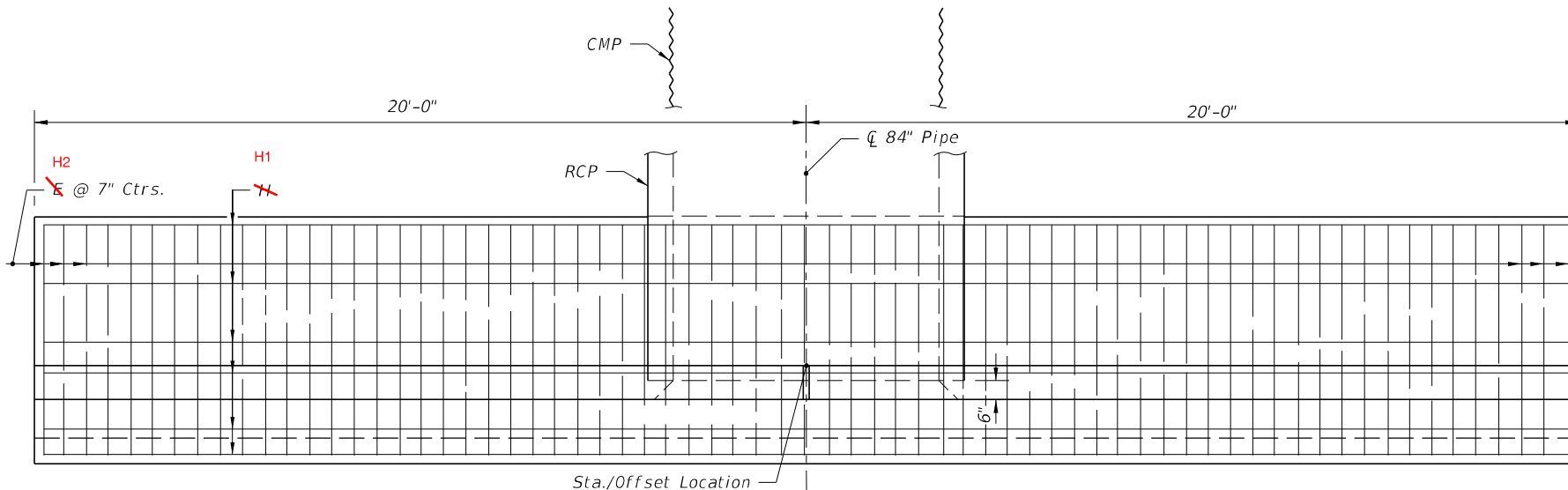
Origination Package Includes: (Email or hand deliver package to Derwood Sheppard)

- | Yes | N/A | |
|-------------------------------------|--------------------------|---|
| <input checked="" type="checkbox"/> | <input type="checkbox"/> | Redline Mark-ups |
| <input type="checkbox"/> | <input type="checkbox"/> | Proposed Standard Plan Instructions (SPI) |
| <input type="checkbox"/> | <input type="checkbox"/> | Revised SPI |
| <input type="checkbox"/> | <input type="checkbox"/> | Other Support Documents |

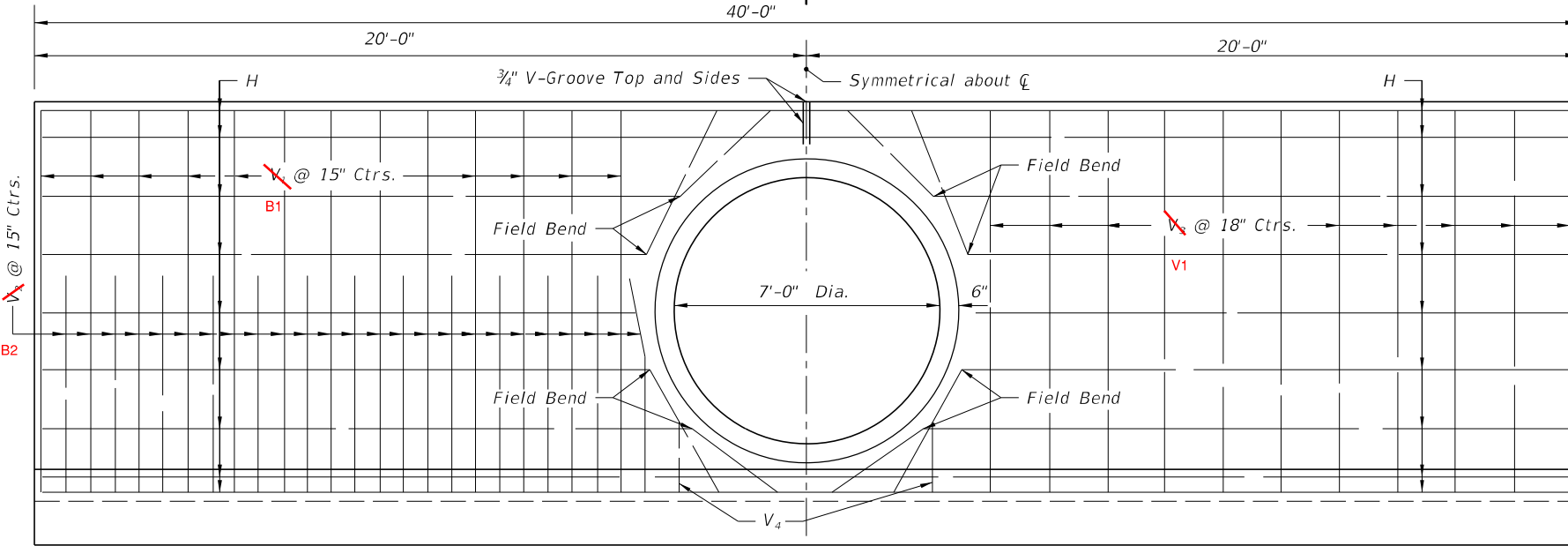
Implementation:

- Design Bulletin (Interim) DCE Memo Program Mgmt. Bulletin FY-Standard Plans (Next Release)

Contact the Roadway Design Office for assistance in completing this form



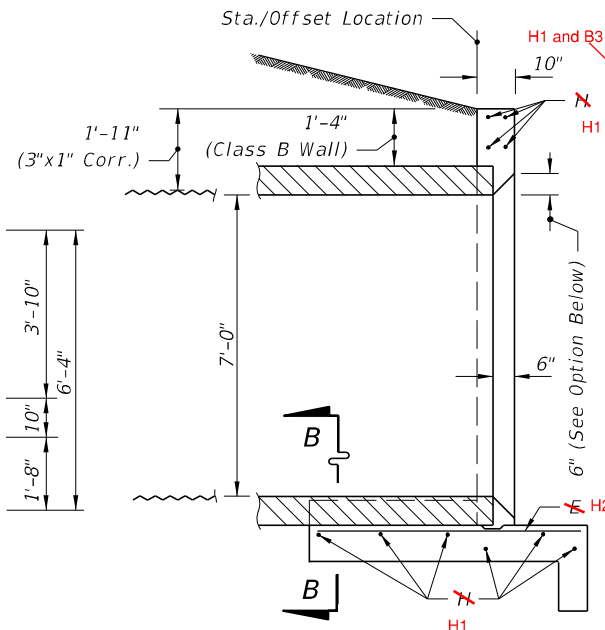
PLAN
(Showing Bars In Footing)



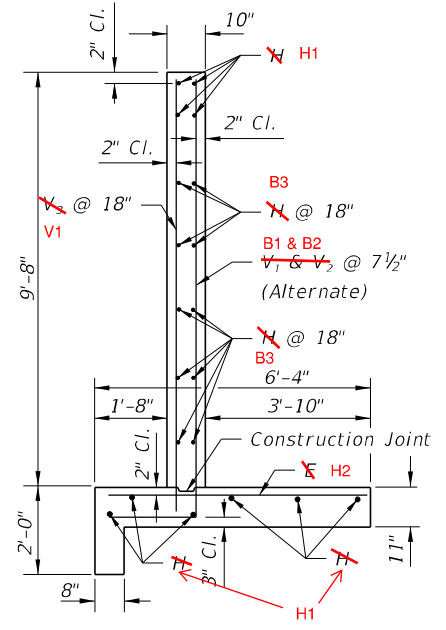
HALF ELEVATION
(Showing Bars In Back Face Of Wall)



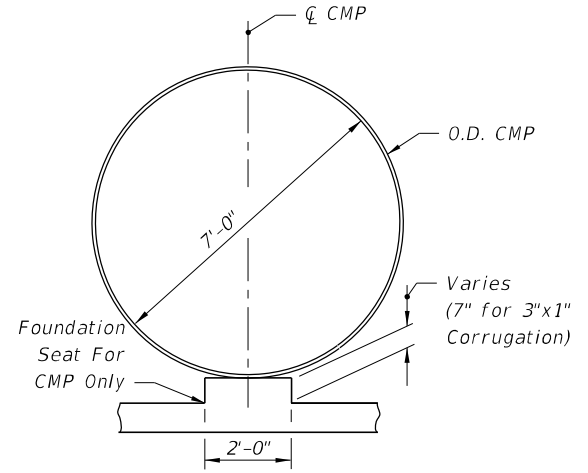
HALF ELEVATION
(Showing Bars In Front Face Of Wall)



SECTION AA



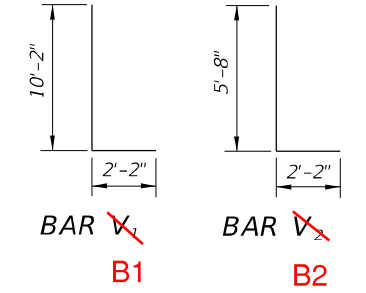
TYPICAL SECTION
THRU ENDWALL



SECTION BB

BILL OF REINFORCING STEEL			
MARK	SIZE	NO. REQD.	LENGTH
H2	6	69	6'-0"
B1	4	20	39'-8"
B2	6	26	12'-4"
V1	6	26	7'-10"
V2	4	22	10'-2"
D1	4	4	2'-0"

BENDING DIAGRAM



NOTE: All bar dimensions are out to out

ESTIMATED QUANTITIES			
ITEM	UNIT	RCP	CMP
Class II Concrete	Cu. Yd.	20.0	20.2
Reinforcing Steel	Lb.	2,095	2,095

Deleted: Already in DM Table 3.5

GENERAL NOTES

- Straight concrete endwalls are intended for use outside the clear zone.
- Endwalls may be cast-in-place or precast construction. Cast-in-place endwalls shall conform to the details on this index, design specifications AASHTO 1989. Precast construction which adheres to this Index, including any additional reinforcement required for handling which shall be determined by the Contractor or supplier, does not require additional approvals. Deviations from this Index, for precast units, shall require the approval of the State Drainage Engineer prior to construction. For precast construction, see Index 425-001 for opening and grouting details.
- Reinforcing steel shall be either Grade 40 or 60.
- Concrete shall be Class II, except ASTM C478 (4000 psi) concrete may be substituted for precast items manufactured in plants meeting the requirements of Section 449 of the Specifications.

SHEET 1

- Chamfer: All exposed edges and corners to be chamfered 3/4" unless otherwise shown.
 - That portion of corrugated metal pipe in direct contact with the concrete slab and extending 12" beyond shall have a continuous bituminous coating of 0.004" minimum thickness applied prior to placing of the concrete.
 - Sodding shall be in accordance with Index 524-001 and paid for under the contract unit price for Performance Turf, SY.
 - Basis of payment for either cast-in-place or precast construction shall be the estimated quantities tabulated on the Index. Concrete and reinforcing steel shall be paid for under the contract unit prices for Class II Concrete (Endwalls), CY and Reinforcing Steel (Roadway), LB.
- Moved to Specification

SHEET 2

OPTIONAL ENTRANCE FOR CONCRETE PIPE

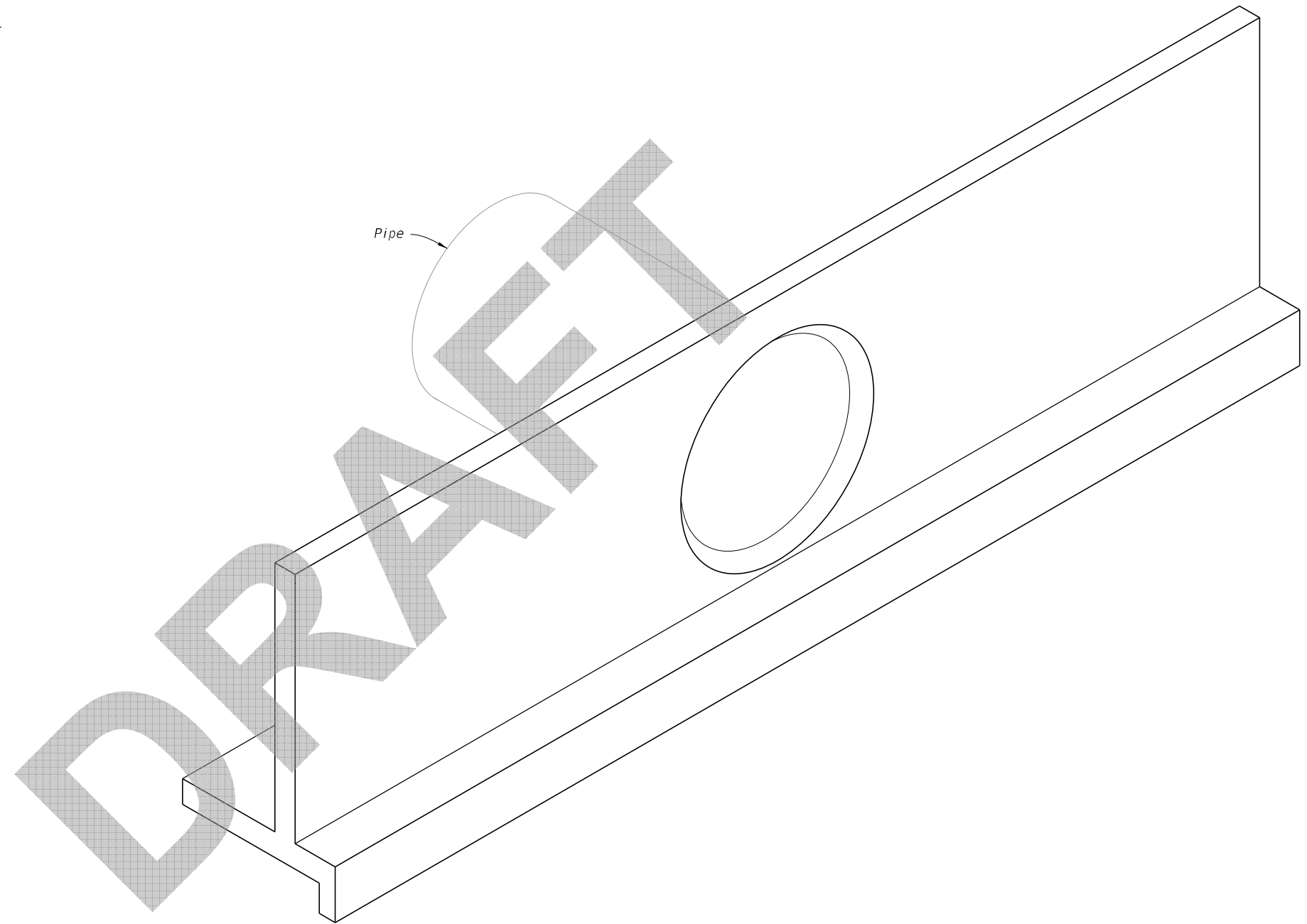
10/24/2018 9:01:37 AM

LAST REVISION 11/01/17	DESCRIPTION: ← 11/01/19	FDOT FY 2019-20 STANDARD PLANS	STRAIGHT CONCRETE ENDWALL SINGLE 84" PIPE	INDEX 430-034	SHEET 1 of 2
--------------------------------------	----------------------------	--------------------------------------	--	------------------	-----------------

GENERAL NOTES:


1. Use Class II concrete.
2. Reinforcing steel is either Grade 40 or 60.
3. Endwalls may be cast in place or precast concrete. The Contractor or the Supplier will determine the additional reinforcement necessary for handling precast units.
4. Chamfer all exposed edges and corners $\frac{3}{4}$ " unless otherwise shown.
5. Quantities shown are for estimating purposes only.

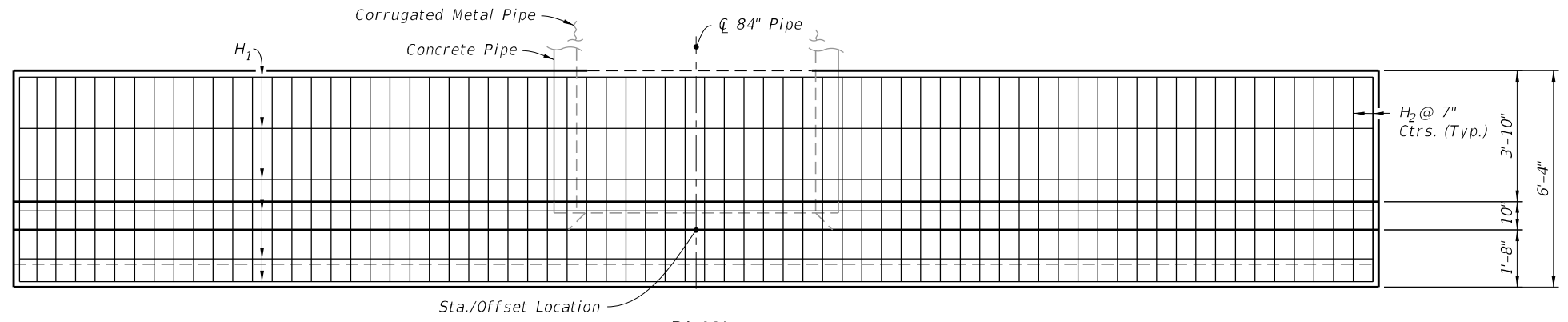
TABLE OF CONTENTS:	
Sheet	Description
1	General Notes and Contents
2	Single 84" Pipe Endwall Details



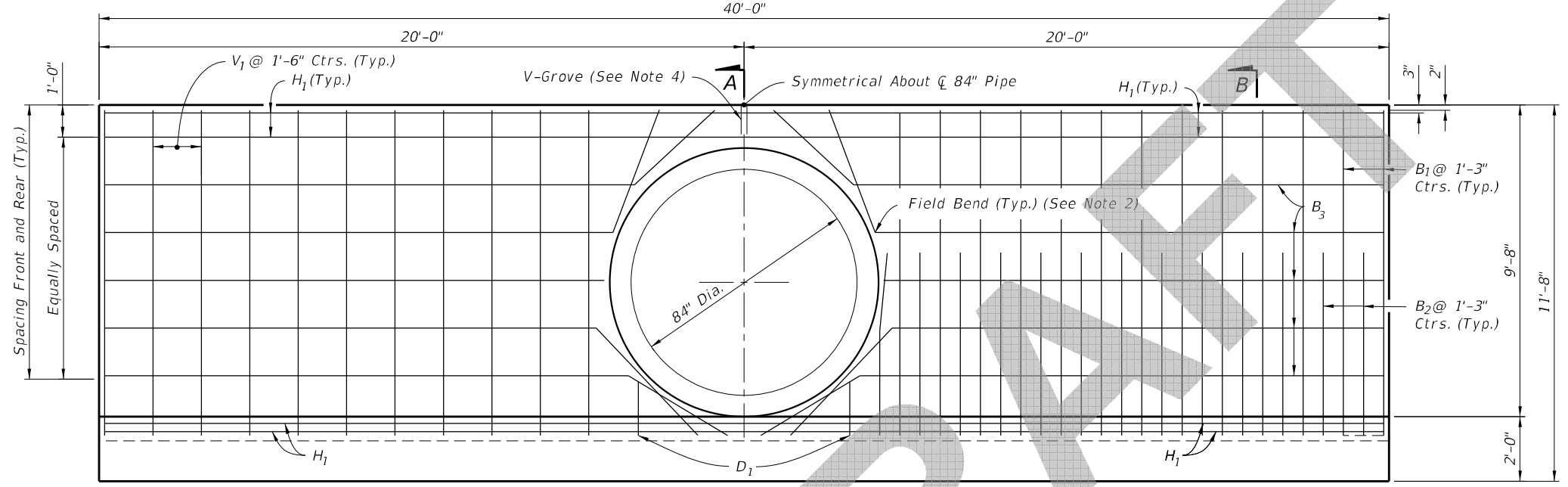
===== STRAIGHT CONCRETE ENDWALL SINGLE 84" PIPE =====

8/12/2019 3:49:22 PM

LAST REVISION 11/01/19	REVISION	DESCRIPTION:	 FY 2020-21 STANDARD PLANS	STRAIGHT CONCRETE ENDWALLS SINGLE 84" PIPE	INDEX 430-034	SHEET 1 of 2
---------------------------	----------	--------------	---	---	------------------	-----------------



PLAN
(Showing Bars in Footing)



HALF ELEVATION
(Showing Bars in Front Face of Wall)

HALF ELEVATION
(Showing Bars in Back Face of Wall)

NOTES:

1. 2" clearance on all reinforcement, unless otherwise shown.
2. Cut and/or bend B₃ Bars as shown.
3. All bar dimensions are out to out.
4. Install a 3/4" V-Groove at the top, front and back.

SINGLE 84" PIPE ENDWALL ESTIMATED QUANTITIES

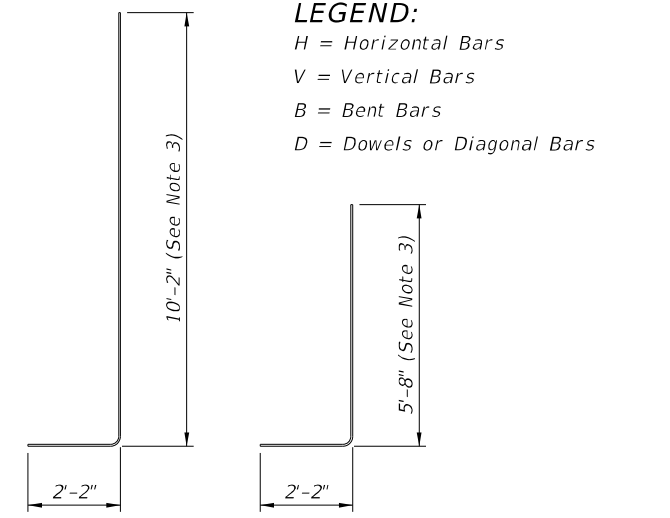
ITEM	UNIT	RCP	CMP
Class II Concrete	Cu. Yd.	20.0	20.2
Reinforcing Steel	Lb.	2,095	2,095

BILL OF REINFORCING STEEL

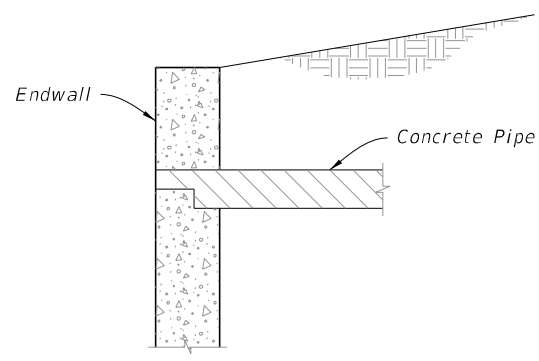
MARK	SIZE	NO. REQD.	LENGTH
H ₁	4	6	39'-8"
H ₂	6	69	6'-0"
V ₁	4	22	10'-2"
B ₁	6	26	12'-4"
B ₂	6	26	7'-10"
B ₃	4	14	39'-8"
D ₁	4	4	2'-0"

LEGEND:

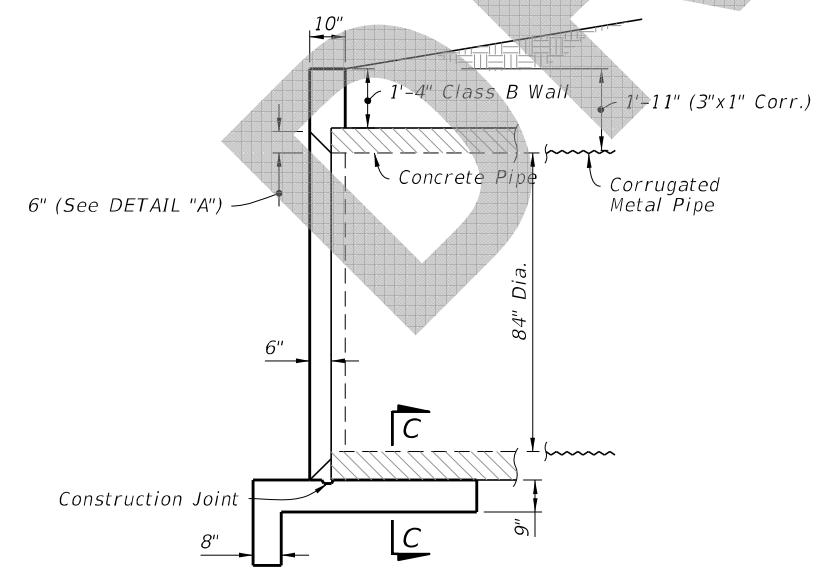
- H = Horizontal Bars
- V = Vertical Bars
- B = Bent Bars
- D = Dowels or Diagonal Bars



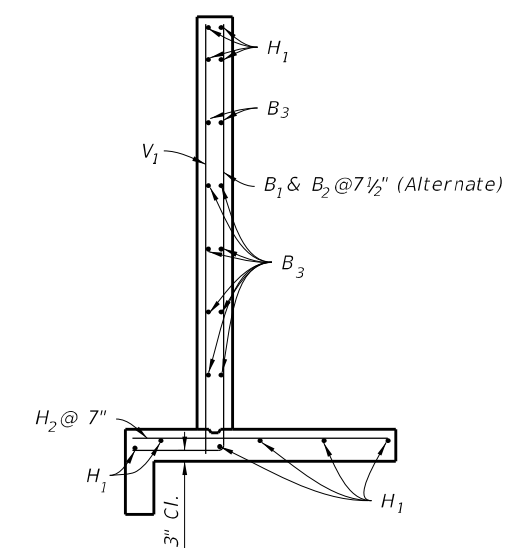
BAR B₁ **BAR B₂**
BENDING DIAGRAM



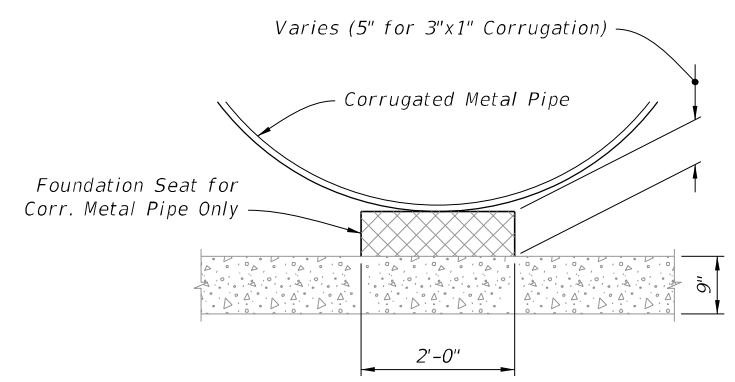
DETAIL "A"
(Concrete Pipe Optional Entrance)



SECTION A-A
(Rebar Not Shown)



SECTION B-B
(Typical Section)



SECTION C-C

SINGLE 84" PIPE ENDWALL DETAILS

8/12/2019 3:49:23 PM

LAST REVISION	DESCRIPTION:		FY 2020-21 STANDARD PLANS	STRAIGHT CONCRETE ENDWALLS SINGLE 84" PIPE	INDEX	SHEET
11/01/19					430-034	2 of 2