

ORIGINATION FORM

Proposed Revisions to a Standard Plans Index
(Please provide all information – Incomplete forms will be returned)

Contact Information:

Date: May 7, 2018
Originator: Rick Jenkins
Phone: (850) 414-4355
Email: Rick.Jenkins@dot.state.fl.us

Standard Plans:

Index Number: 430-032
Sheet Number (s): 1 of 1
Index Title: Straight Concrete Endwalls - Single and Double
66" Pipe +

Summary of the changes:

Reorganized Index, Added additional Sheet.
Details from Sheet 1 moved to new Sheet 2. Details from old Sheet 2 moved to Sheet 3.
Changed Reinforcing Bar naming conventions.
Moved pavement information to Specifications. +

Commentary / Background:

New Sheet 1 set up as a General Notes page with an isometric view.
Bar naming conventions changed to denote reinforcement as horizontal (H), vertical (V), or bent (B).
Bar identifications changed to allow use of one set of details. The previous version re-created the details each sheet

Other Affected Offices / Documents: (Provide name of responsible personnel)

- | Yes | No | |
|-------------------------------------|-------------------------------------|-----------------------------|
| <input type="checkbox"/> | <input checked="" type="checkbox"/> | Other Standard Plans – |
| <input type="checkbox"/> | <input type="checkbox"/> | FDOT Design Manual – |
| <input type="checkbox"/> | <input type="checkbox"/> | Basis of Estimates Manual – |
| <input checked="" type="checkbox"/> | <input type="checkbox"/> | Standard Specifications – |
| <input type="checkbox"/> | <input type="checkbox"/> | Approved Product List – |
| <input type="checkbox"/> | <input type="checkbox"/> | Construction – |
| <input type="checkbox"/> | <input type="checkbox"/> | Maintenance – |

Origination Package Includes: (Email or hand deliver package to Derwood Sheppard)

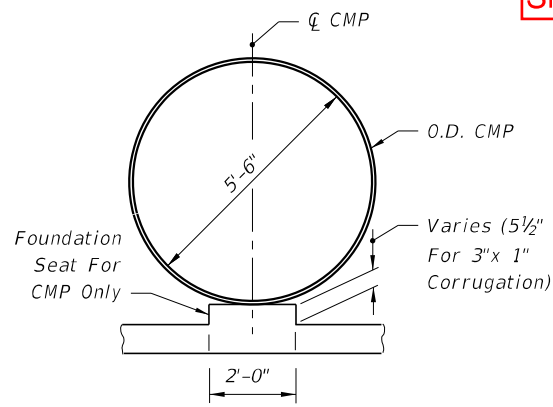
- | Yes | N/A | |
|-------------------------------------|--------------------------|---|
| <input checked="" type="checkbox"/> | <input type="checkbox"/> | Redline Mark-ups |
| <input type="checkbox"/> | <input type="checkbox"/> | Proposed Standard Plan Instructions (SPI) |
| <input type="checkbox"/> | <input type="checkbox"/> | Revised SPI |
| <input type="checkbox"/> | <input type="checkbox"/> | Other Support Documents |

Implementation:

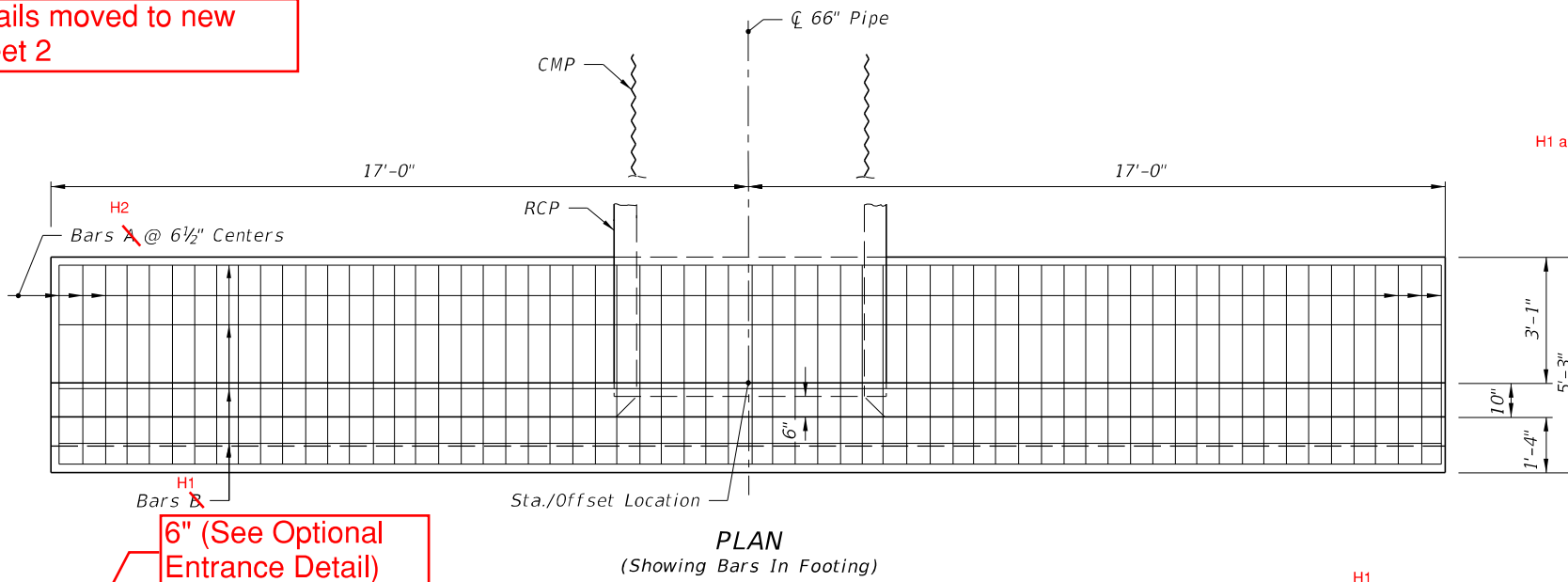
- Design Bulletin (Interim) DCE Memo Program Mgmt. Bulletin FY-Standard Plans (Next Release)

————— Contact the Roadway Design Office for assistance in completing this form —————

Details moved to new Sheet 2



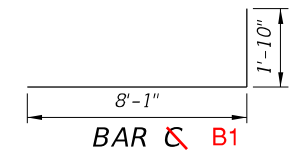
SECTION BB



PLAN
(Showing Bars In Footing)

BILL OF REINFORCING STEEL					
MARK	SIZE	NO. REQD.	LENGTH	LOCATION	BENDING
H2	5	63	4'-11"	Footing	Straight
B	4	17	33'-8"	Footing & Wall	Straight
B1	5	34	9'-11"	Wall	Bend
V1	4	20	8'-1"	Wall	Straight
D1	4	4	1'-8"	Wall	Straight

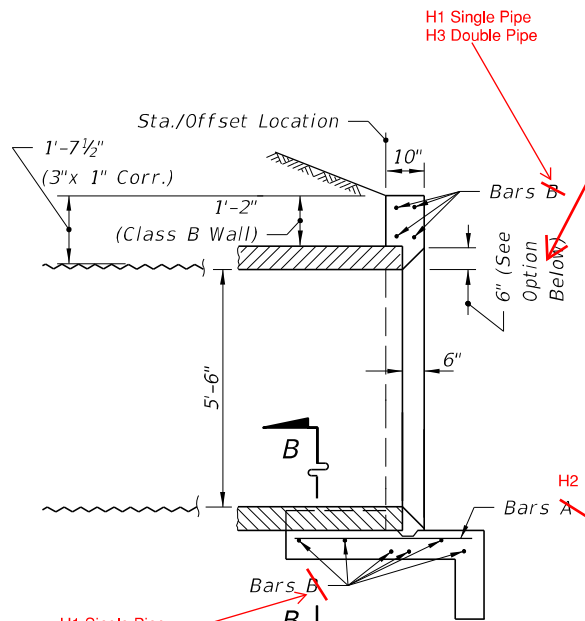
BENDING DIAGRAM



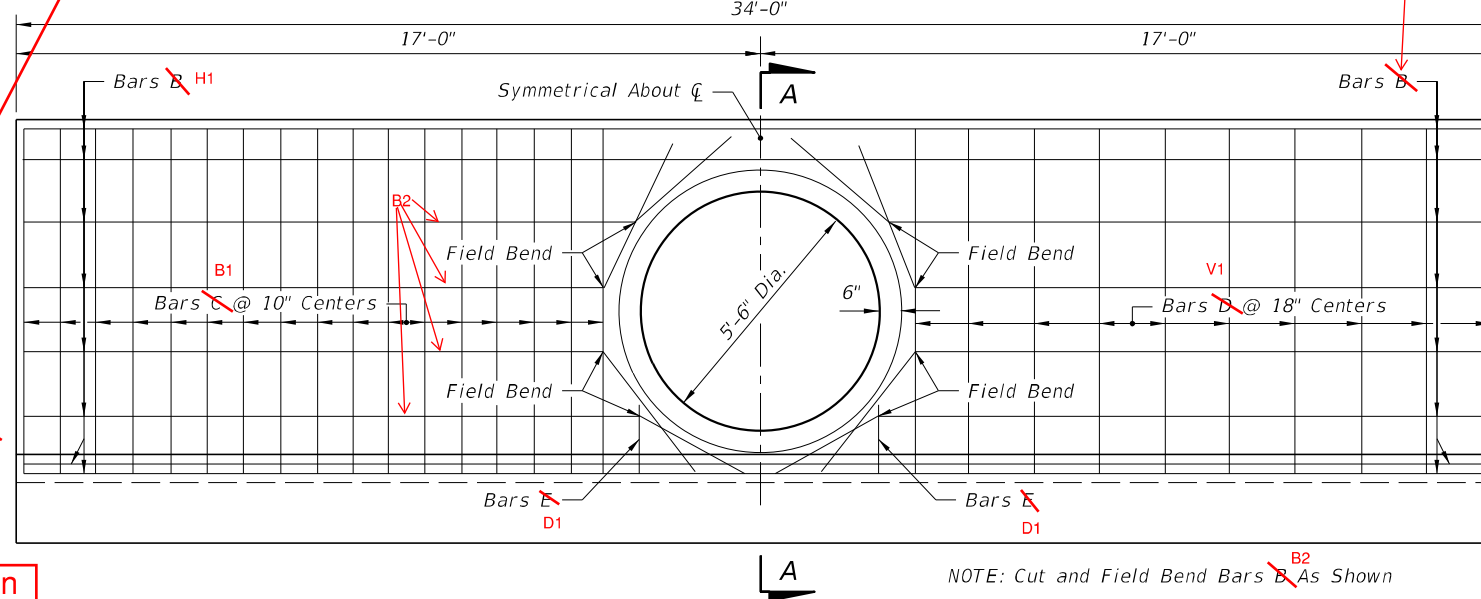
NOTE: All bar dimensions are out to out

ESTIMATED QUANTITIES

ITEM	UNIT	RCP	CMP
Class II Concrete	Cu. Yd.	13.2	13.3
Reinforcing Steel	Lb.	1170	1170

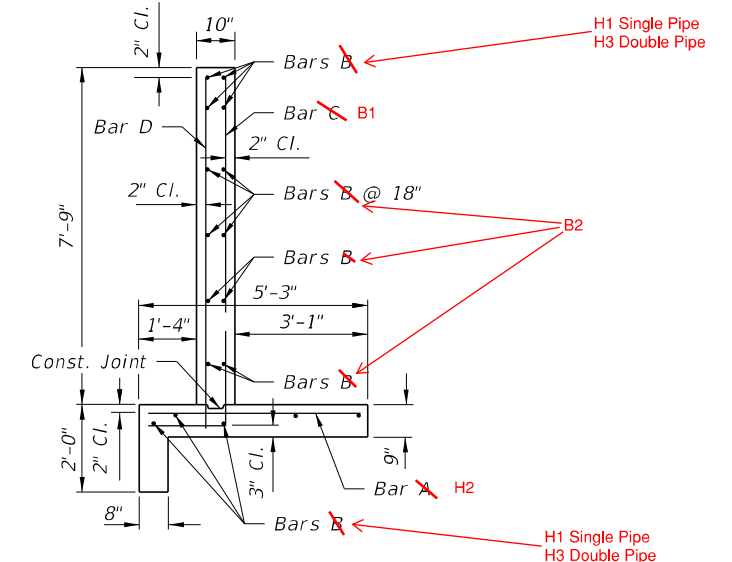


SECTION AA



HALF ELEVATION
(Showing Bars In Back Face Of Wall)

HALF ELEVATION
(Showing Bars In Front Face Of Wall)



TYPICAL SECTION
THRU ENDWALL

Deleted: Already in DM Table 3.5. Add to SPI?

Moved to Specification

Straight Concrete Endwalls Single Pipe

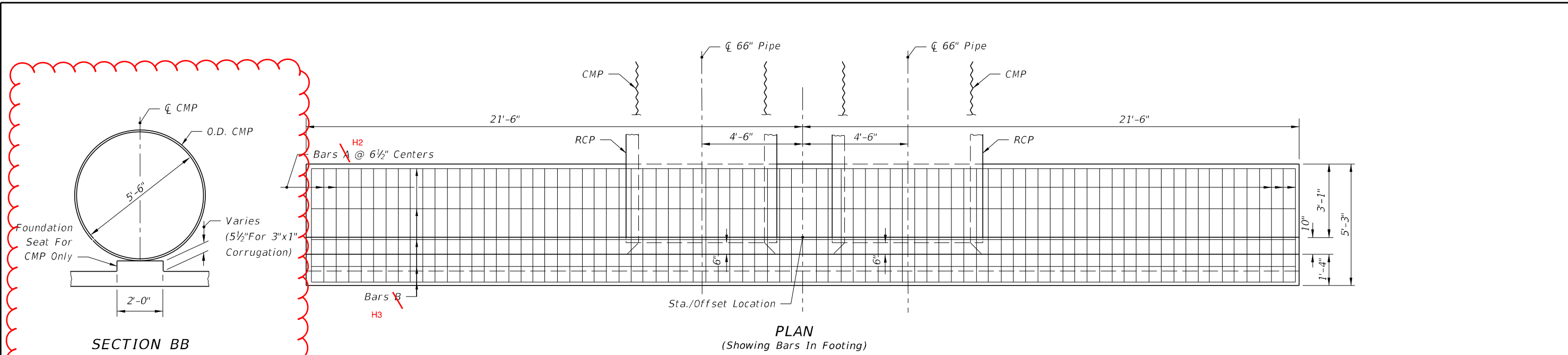
GENERAL NOTES

1. Straight concrete endwalls are intended for use outside the clear zone.
2. Endwalls may be cast-in-place or precast construction. Cast-in-place endwalls shall conform to the details on this Index. Precast construction which adheres to this Index, including any additional reinforcement required for handling which shall be determined by the Contractor or supplier, does not require additional approvals. Deviations from this Index, for precast units, shall require the approval of the State Drainage Engineer prior to construction. For precast construction, see Index 425-001 for opening and grouting details.
3. Reinforcing steel shall be either Grade 40 or 60.
4. Concrete shall be Class II except ASTM C478 (4000 psi) concrete may be substituted for precast items manufactured in plants meeting the requirements of Section 449 of the Specifications.
5. Chamfer all exposed edges and corners 3/4" unless otherwise shown.
6. That portion of corrugated Metal pipe in direct contact with the concrete slab and extending 12" beyond shall have a continuous bituminous coating of 0.004" minimum thickness applied prior to placing of the concrete.
7. Sodding shall be in accordance with Index 524-001 and paid for under the contract unit price for Performance Turf, SY.
8. Basis of payment for either cast-in-place or precast construction shall be the estimated quantities tabulated on the Index. Concrete and reinforcing steel shall be paid for under the contract unit prices for Class II Concrete (Endwalls), CY and Reinforcing Steel (Roadway), LB.

Moved to Specification

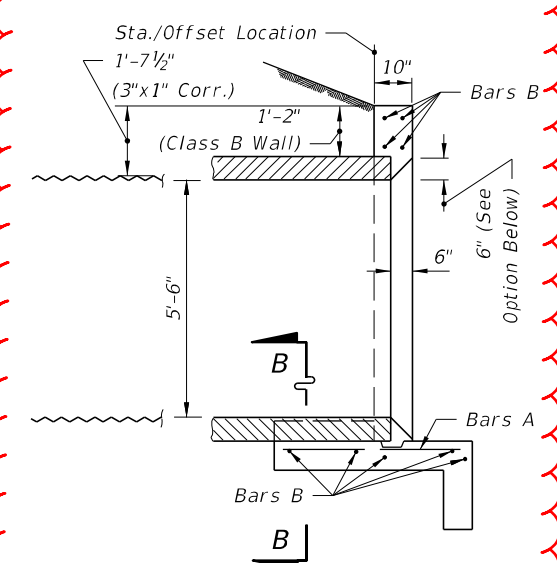
Optional Entrance Detail (Used only with concrete pipe)

10/24/2018 8:59:56 AM

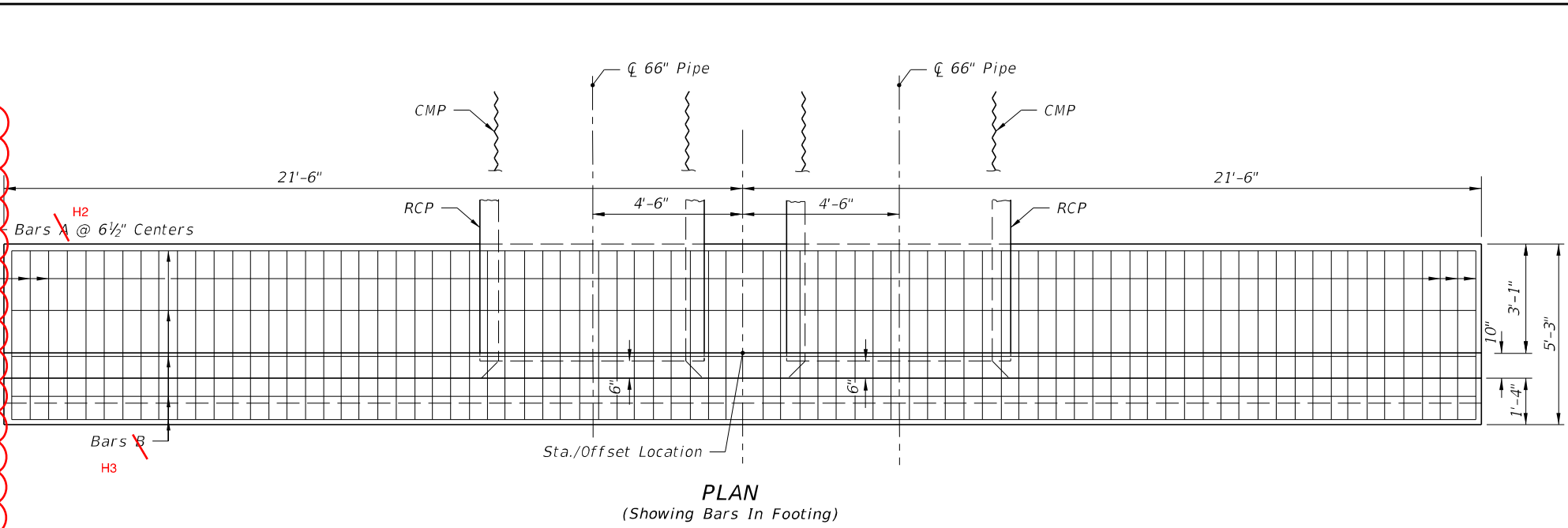


SECTION BB

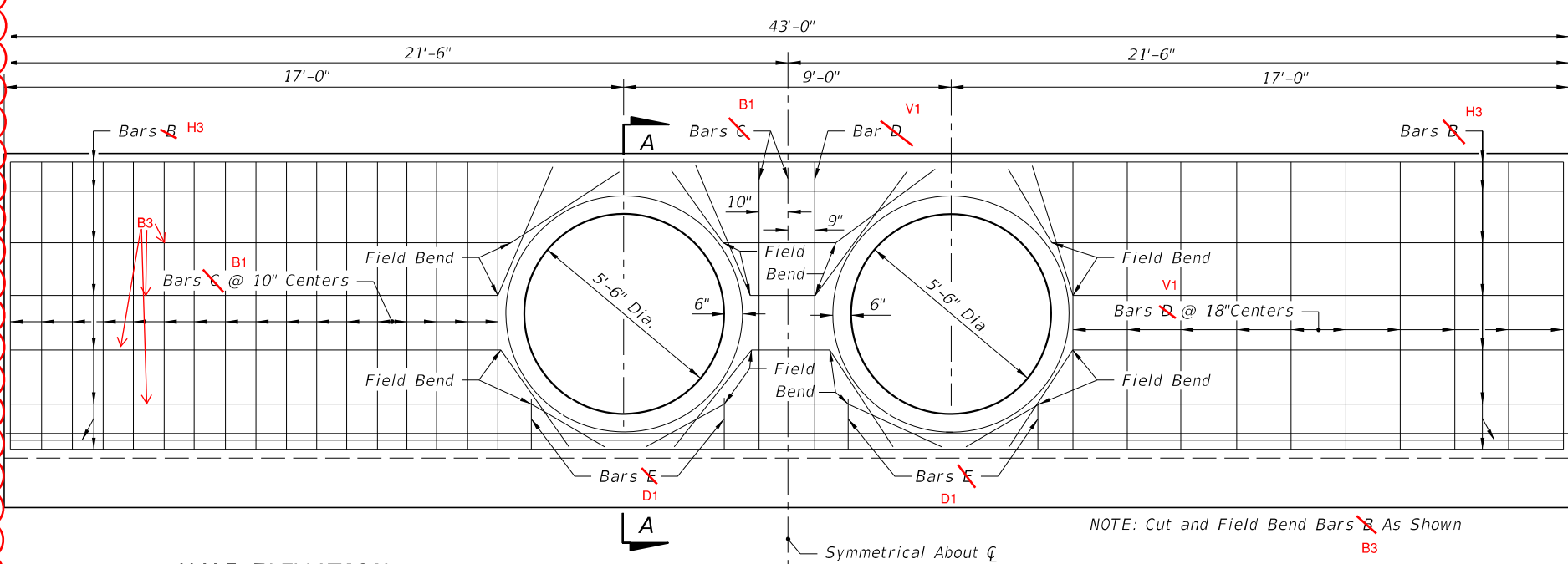
Combined with Detail for Single Pipe on new Sheet 2



SECTION AA

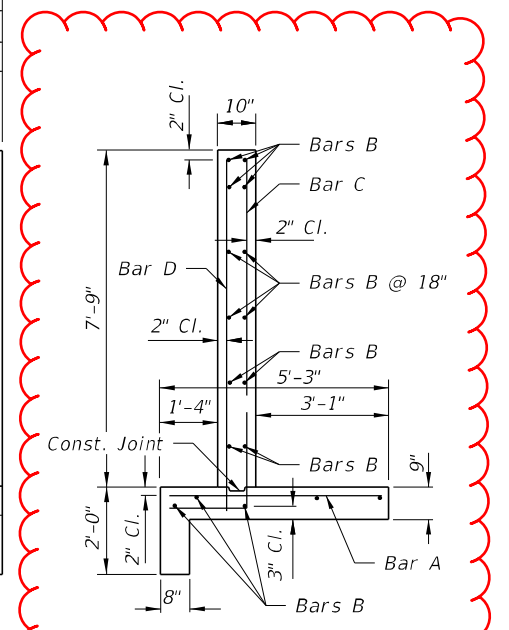


PLAN
(Showing Bars In Footing)



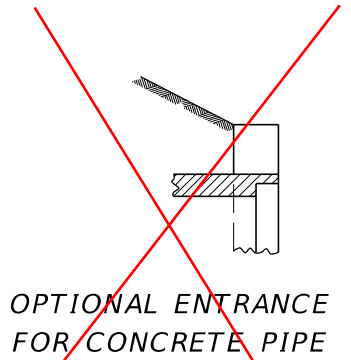
HALF ELEVATION
(Showing Bars In Back Face Of Wall)

HALF ELEVATION
(Showing Bars In Front Face Of Wall)



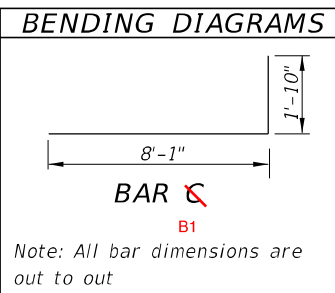
TYPICAL SECTION
THRU ENDWALL

Combined with Detail for Single Pipe on new Sheet 2



OPTIONAL ENTRANCE
FOR CONCRETE PIPE

BILL OF REINFORCING STEEL					
MARK	SIZE	NO. REQD.	LENGTH	LOCATION	BENDING
H2	5	80	4'-11"	Footing	Straight
B	4	17	42'-8"	Footing & Wall	Straight
B1	5	37	9'-11"	Wall	Bend
V1	4	22	8'-1"	Wall	Straight
D1	4	8	1'-8"	Wall	Straight



Note: All bar dimensions are out to out

ESTIMATED QUANTITIES			
ITEM	UNIT	RCP	CMP
Class II Concrete	Cu. Yd.	16.0	16.2
Reinforcing Steel	Lb.	1,406	1,406

NOTE: See Sheet 1 of 2 for General Notes.

Bars Renumbered: Horizontal (H), Vertical (V), Bent (B), and Dowels (D).

Straight Concrete Endwalls Double Pipe

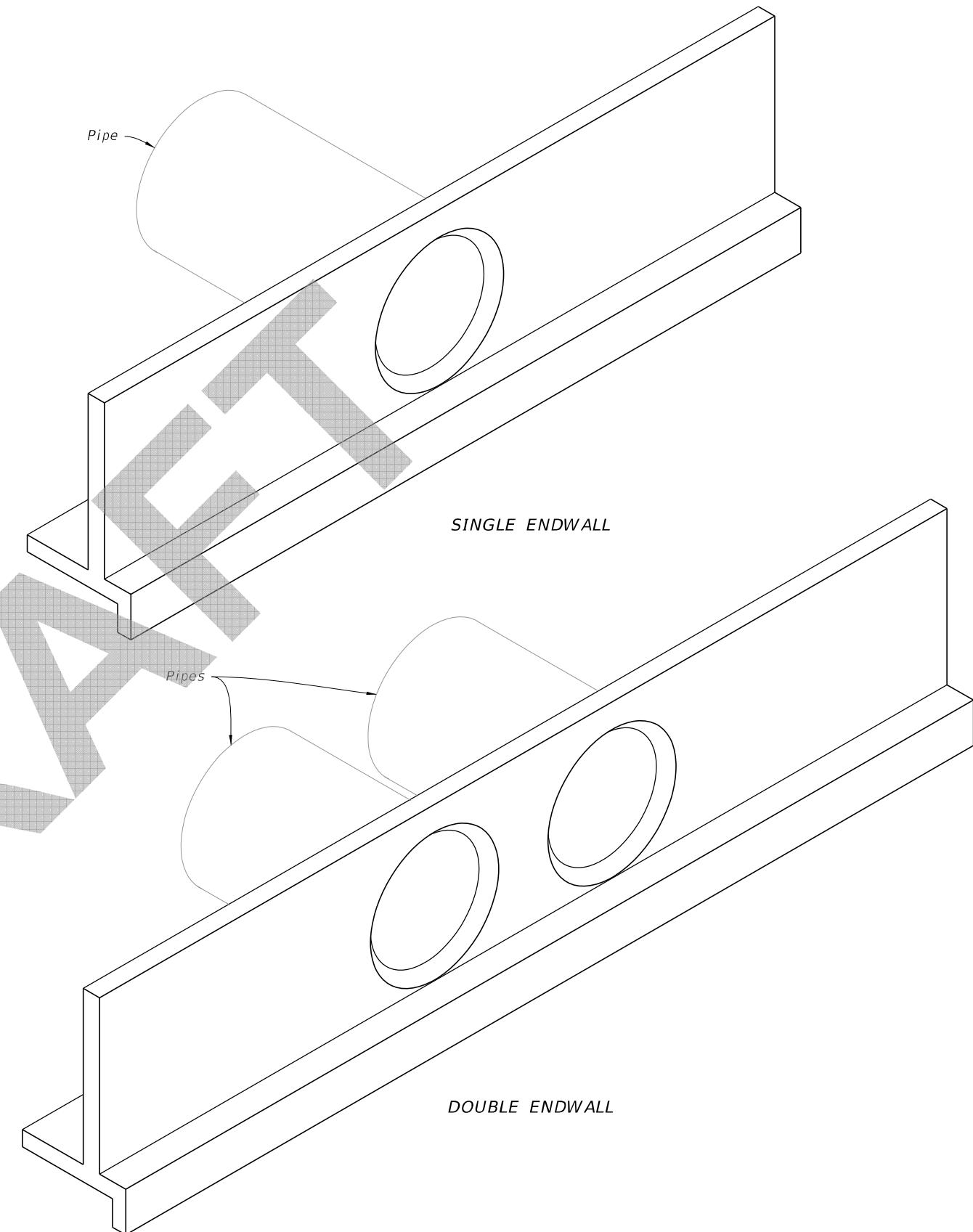
10/24/2018 8:59:57 AM

GENERAL NOTES:

1. Use Class II concrete.
2. Reinforcing steel is either Grade 40 or 60.
3. Endwalls may be cast in place or precast concrete. The Contractor or the Supplier will determine the additional reinforcement necessary for handling precast units.
4. Chamfer all exposed edges and corners $\frac{3}{4}$ " unless otherwise shown.
5. Quantities shown are for estimating purposes only.

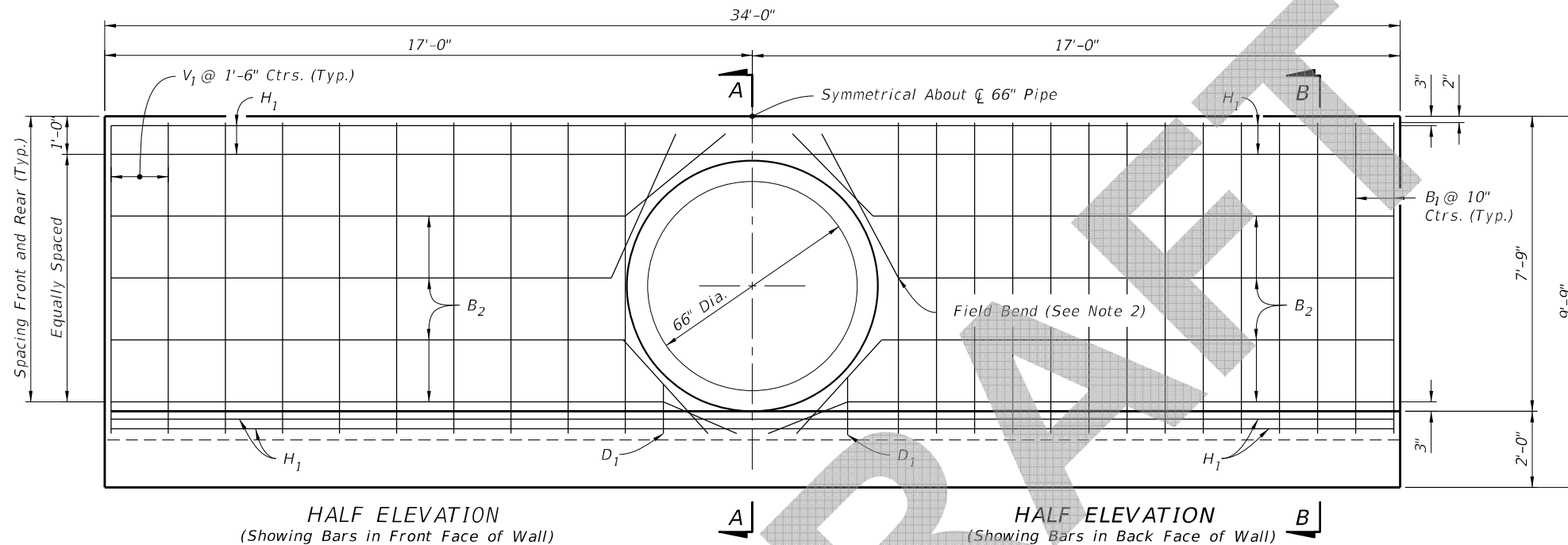
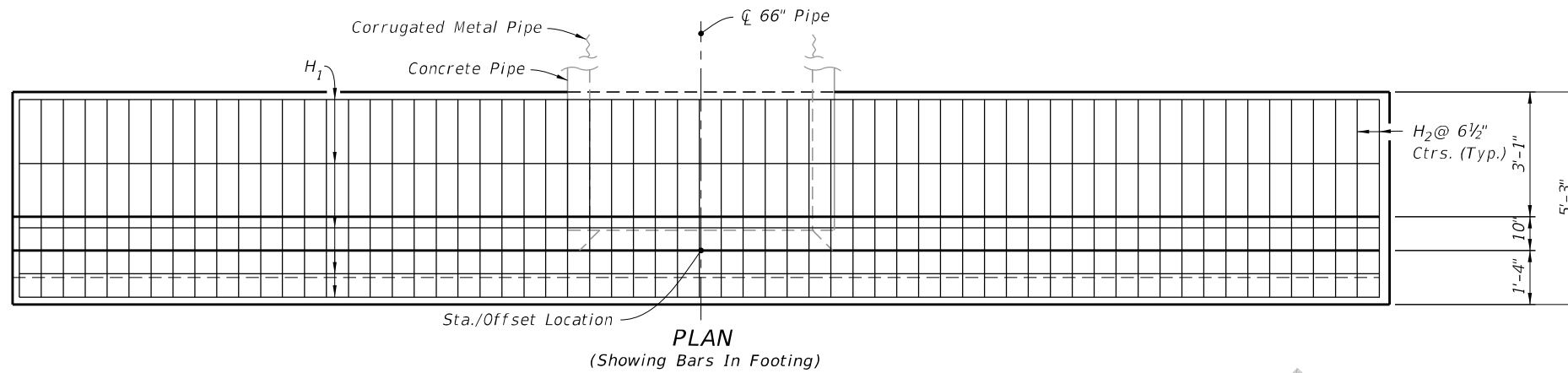
TABLE OF CONTENTS:	
Sheet	Description
1	General Notes and Contents
2	Single 66" Pipe Endwall Details
3	Double 66" Pipe Endwall Details

DRAFT



STRAIGHT CONCRETE ENDWALLS 66" PIPE

8/12/2019 1:22:07 PM



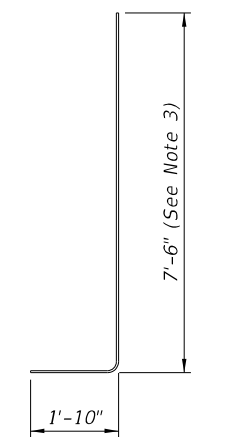
NOTES:

- 2" clearance on all reinforcement, unless otherwise shown.
- Cut and bend B₂ Bars as shown.
- All bar dimensions are out to out.

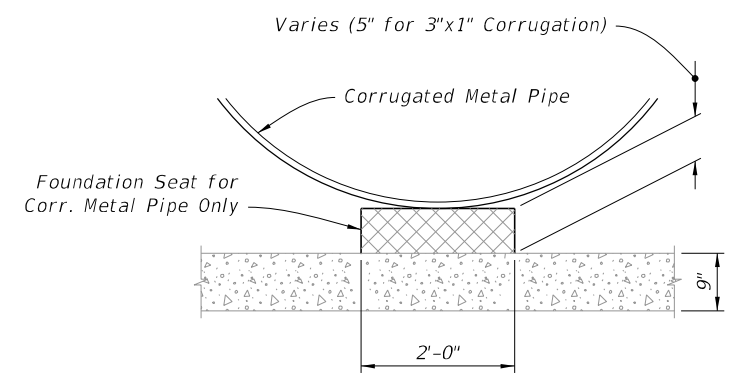
LEGEND:

H = Horizontal Bars B = Bent Bars
 V = Vertical Bars D = Dowels or Diagonal Bars

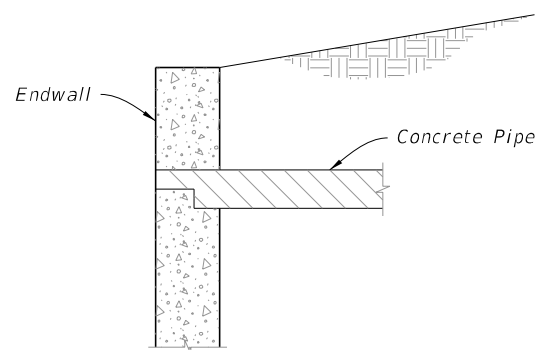
SINGLE 66" PIPE ENDWALL ESTIMATED QUANTITIES				
ITEM	UNIT	RCP	CMP	
Class II Concrete	Cu. Yd.	13.2	13.3	
Reinforcing Steel	Lb.	1,170	1,170	
BILL OF REINFORCING STEEL				
MARK	SIZE	NO. REQD.	LENGTH	
H ₁	4	9	33'-8"	
H ₂	5	63	4'-11"	
V ₁	4	20	8'-1"	
B ₁	5	34	9'-11"	
B ₂	4	8	33'-8"	
D ₁	4	4	1'-8"	



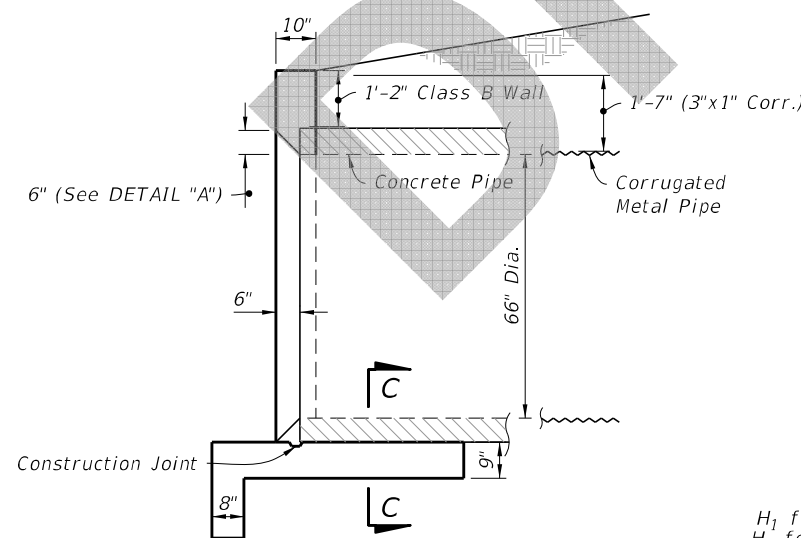
BAR B₁ BENDING DIAGRAM



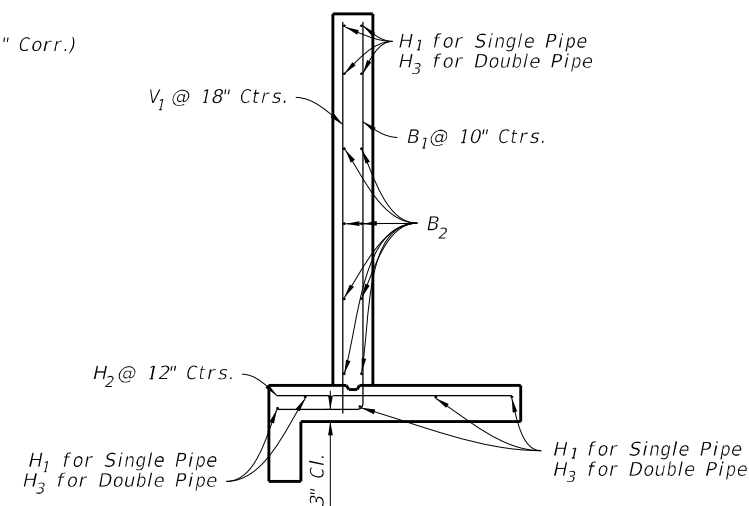
SECTION C-C



DETAIL "A"
(Concrete Pipe Optional Entrance)



SECTION A-A
(Rebar Not Shown)



SECTION B-B
(Typical Section)

SINGLE 66" PIPE ENDWALL DETAILS

8/12/2019 1:22:08 PM

LAST REVISION 11/01/19	DESCRIPTION:	 FY 2020-21 STANDARD PLANS	STRAIGHT CONCRETE ENDWALLS SINGLE AND DOUBLE 66" PIPE	INDEX 430-032	SHEET 2 of 3
---------------------------	--------------	--	--	------------------	-----------------

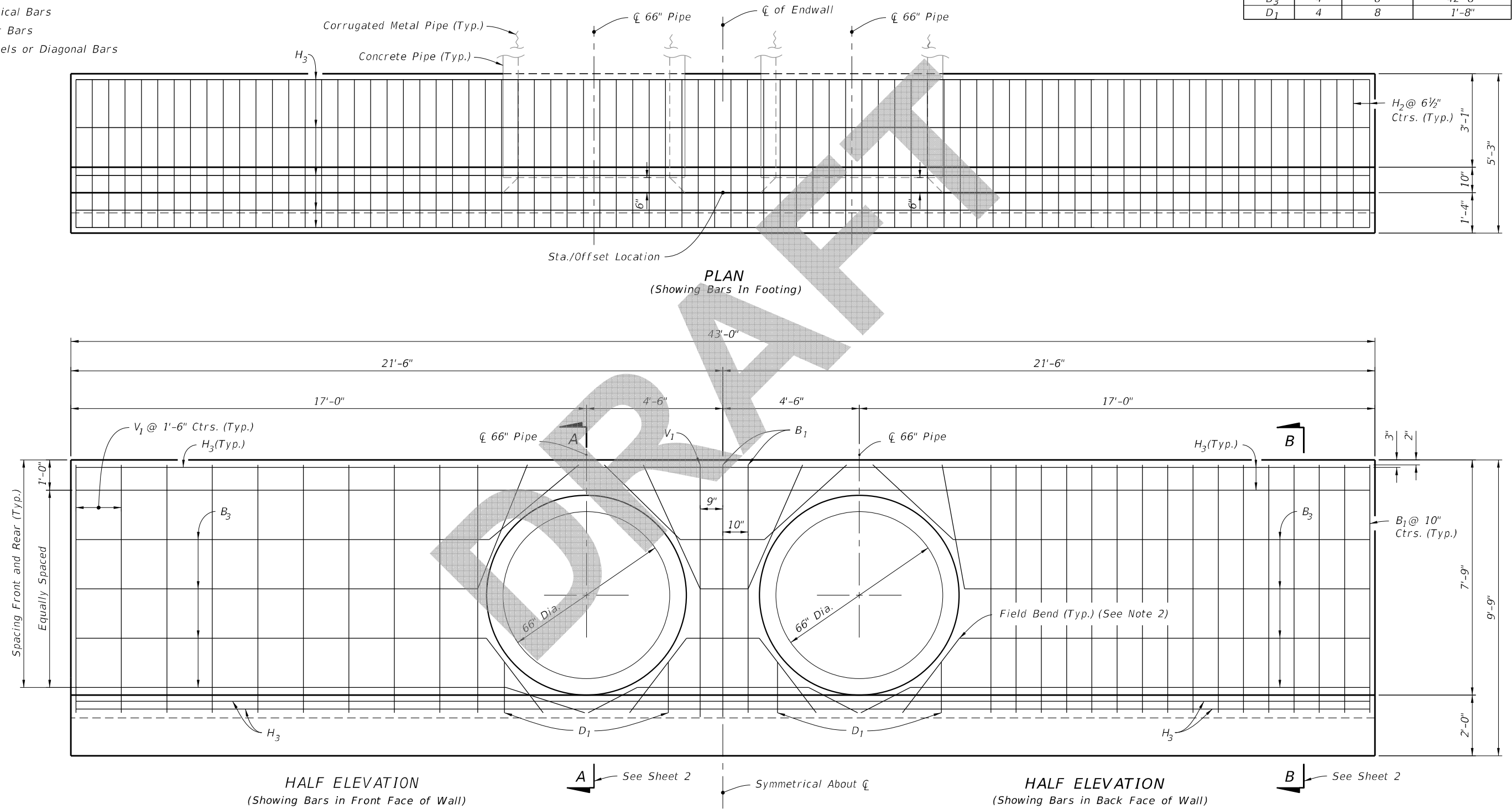
NOTES:

1. 2" clearance on all reinforcement, unless otherwise shown.
2. Cut and bend B₃ Bars as shown.
3. All bar dimensions are out to out.

LEGEND:

- H = Horizontal Bars
- V = Vertical Bars
- B = Bent Bars
- D = Dowels or Diagonal Bars

DOUBLE 66" PIPE ENDWALL			
ESTIMATED QUANTITIES			
ITEM	UNIT	RCP	CMP
Class II Concrete	Cu. Yd.	16.0	16.2
Reinforcing Steel	Lb.	1,406	1,406
BILL OF REINFORCING STEEL			
MARK	SIZE	NO. REQD.	LENGTH
H ₂	5	80	4'-11"
H ₃	4	9	42'-8"
V ₁	4	22	8'-1"
B ₁	5	37	9'-11"
B ₃	4	8	42'-8"
D ₁	4	8	1'-8"



8/12/2019 1:22:09 PM

DOUBLE 66" PIPE ENDWALL DETAILS

LAST REVISION	11/01/19	DESCRIPTION:		FY 2020-21 STANDARD PLANS	STRAIGHT CONCRETE ENDWALLS SINGLE AND DOUBLE 66" PIPE	INDEX	SHEET
						430-032	3 of 3