

---

## Index 430-012

### U-Type Concrete Endwalls – Energy Dissipator 30" to 72" Pipe

#### ORIGINATION

**Date:** May 7, 2018

**Name:** Rick Jenkins

**Phone:** (850) 414-4355

**Email:** [Rick.Jenkins@dot.state.fl.us](mailto:Rick.Jenkins@dot.state.fl.us)

#### COMMENTARY

Added sheet, Reorganized Index, and Updated Bar notations.

Callouts for reinforcing bars changed to provide similar naming conventions to other Indexes.

#### COMMENTS AND RESPONSES

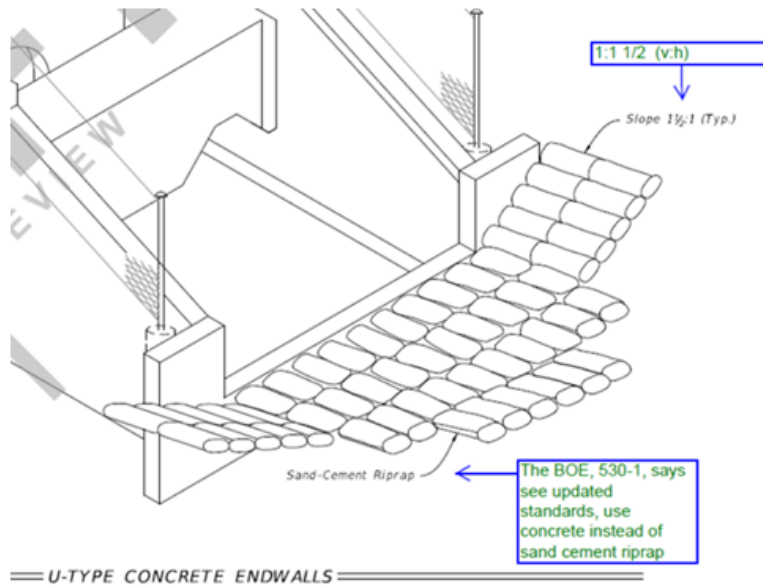
**BLACK** = Industry Review Comments    **RED** = Standard Plans Response

**Name:** Erin Yao

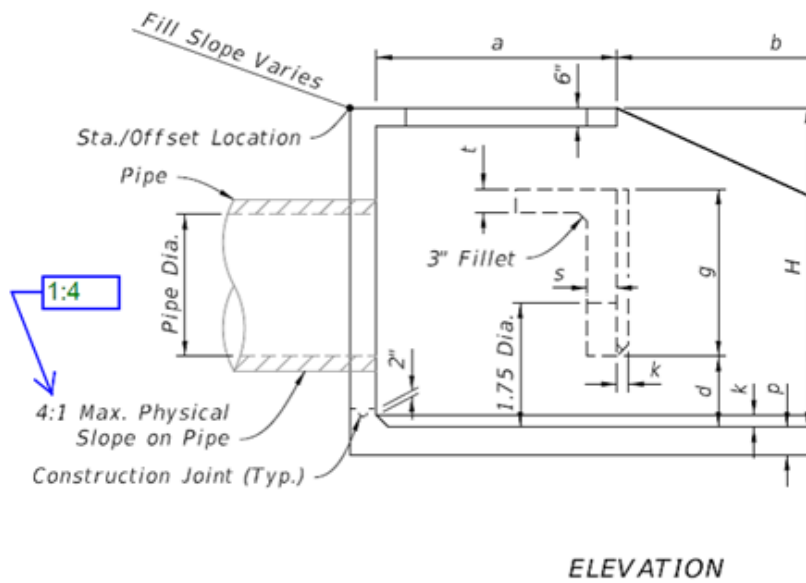
**Date:** August 8, 2019

**COMMENT:**

Sheet 1:



Sheet 2:



**RESPONSE:**

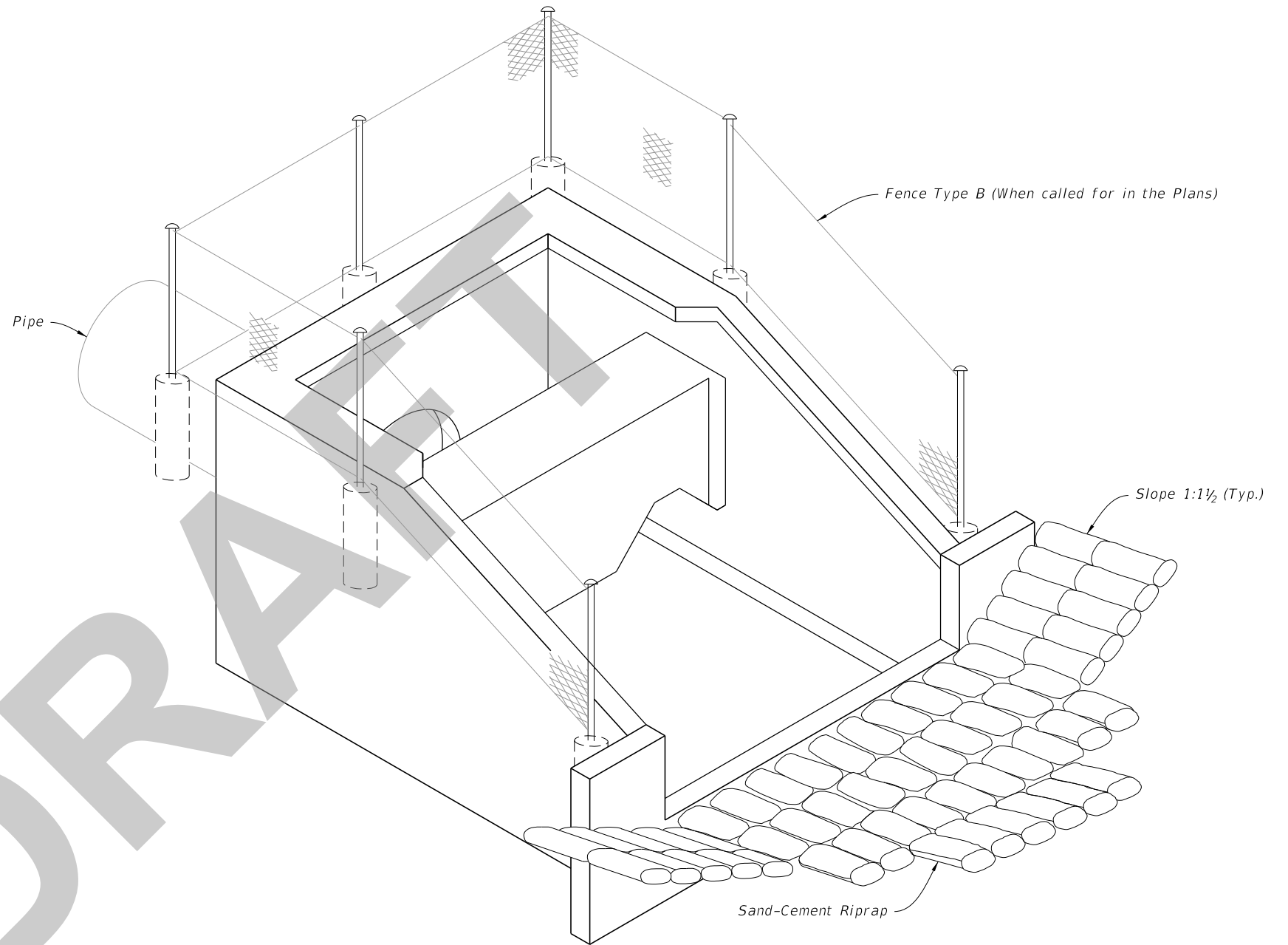
Date August 8, 2019

Both slopes will be updated. We have decided to leave sand cement riprap for this application.

**GENERAL NOTES:**

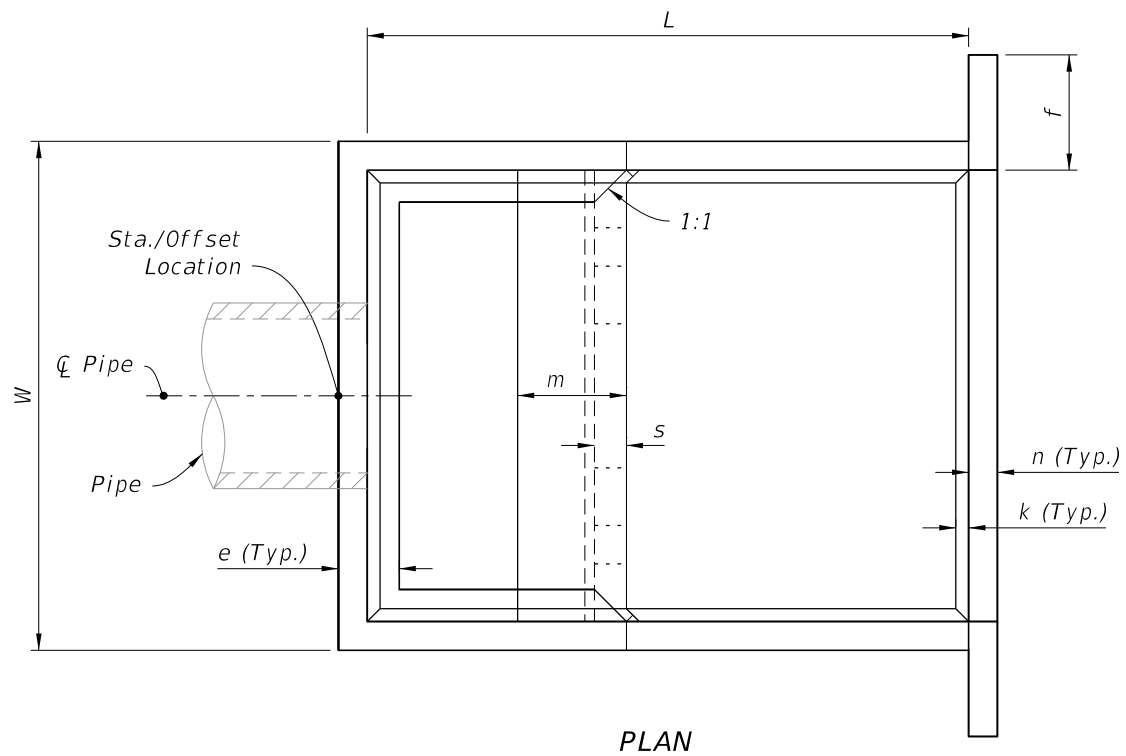
1. Use Class I concrete.
2. Chamfer all exposed edges  $\frac{3}{4}$ ".
3. See Index 550-002 for details of Type B fencing.
4. Quantities shown are for estimating purposes only.

TABLE OF CONTENTS:	
Sheet	Description
1	General Notes and Contents
2	Dimensional Details
3	Reinforcing Details and Bending Diagram



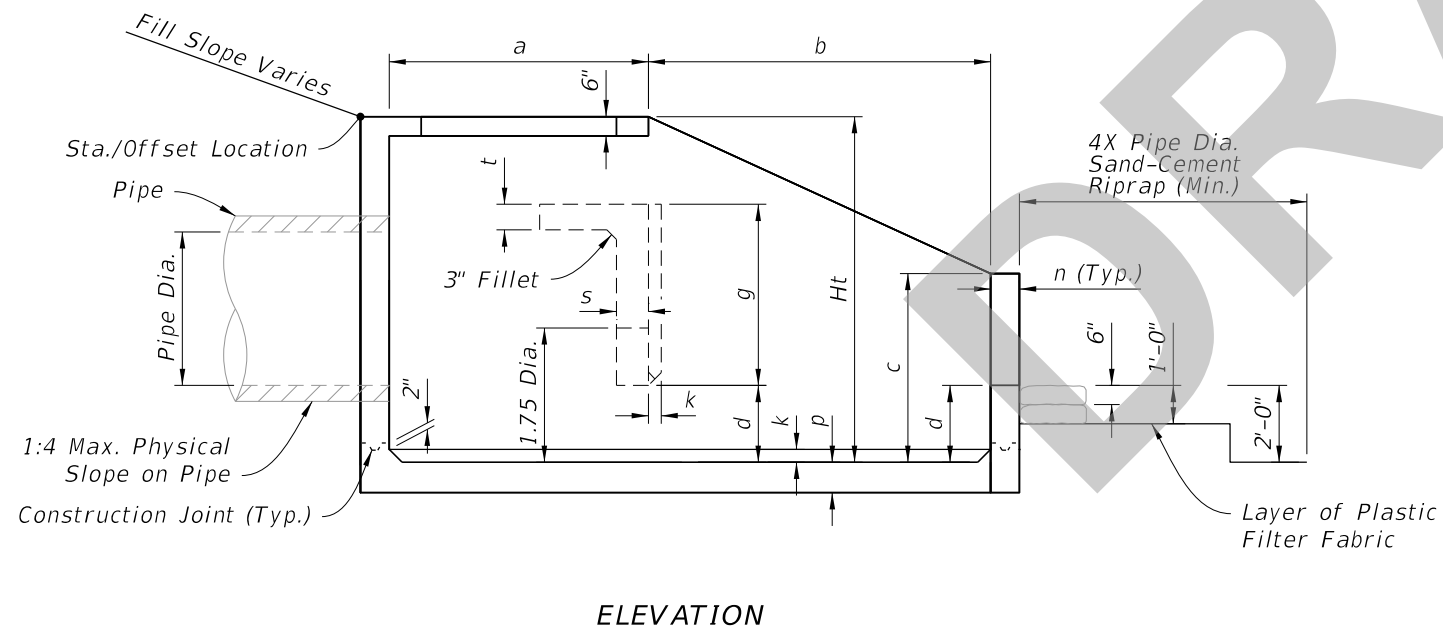
U-TYPE CONCRETE ENDWALLS

8/12/2019 3:12:57 PM

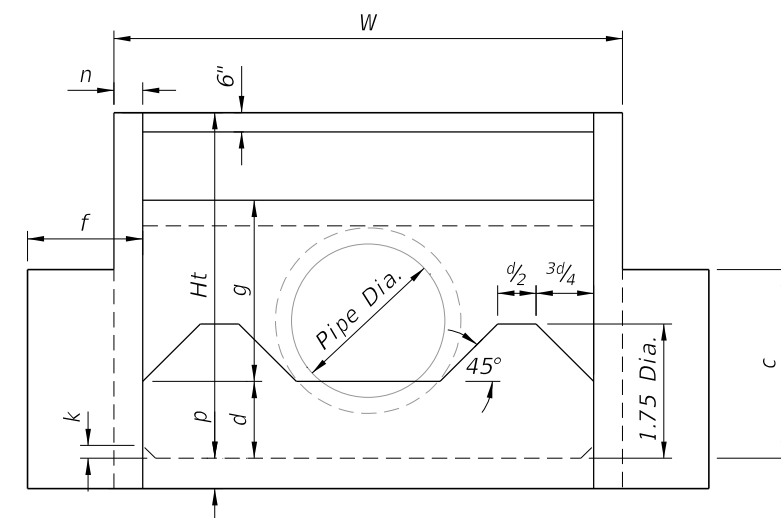


Pipe		DIMENSION TABLE																Concrete (CY)	Reinf. Steel (lb)	Sand-Cement Riprap (Nom.) (CY)
Dia.	Area (SF)	Feet - Inches										Inches								
		W	Ht	L	a	b	c	d	e	f	g	m	n	p	s	t	k			
30"	4.91	9-0	6-3	10-8	4-7	6-1	3-4	1-4	1-2	2-6	3-0	1-11	6	6½	7	7	3	6.72	736	10.6
36"	7.07	10-5	7-3	12-4	5-3	7-1	3-10	1-7	1-3	3-0	3-6	2-3	7	7½	8	8	3	10.34	1,072	13.6
42"	9.62	11-10	8-0	14-0	6-0	8-0	4-5	1-9	1-6	3-0	3-11	2-6	8	8½	9	8	4	14.82	1,429	17.5
48"	12.57	13-3	9-0	15-8	6-9	8-11	4-11	2-0	1-7	3-0	4-5	2-10	9	9½	10	8	4	20.36	2,000	22.1
54"	15.90	14-8	9-9	17-4	7-4	10-0	5-5	2-2	1-10	3-0	4-11	3-0	10	10½	10	8	4	27.19	2,659	27.2
60"	13.63	16-1	10-9	19-0	8-0	11-0	5-11	2-5	1-11	3-0	5-4	3-4	11	11½	11	8	6	34.49	3,552	32.5
66"	23.76	17-3	11-6	20-6	8-8	11-10	6-5	2-7	2-1	3-0	5-9	3-7	12	12½	12	8	6	42.82	4,472	38.3
72"	28.27	18-6	12-3	22-0	9-3	12-9	6-11	2-9	2-3	3-0	6-2	3-9	12	12½	12	8	6	50.68	5,426	44.5

PLAN



ELEVATION



FRONT VIEW

DIMENSIONAL DETAILS

DIMENSIONAL DETAILS

8/12/2019 3:12:58 PM

LAST REVISION 11/01/19	DESCRIPTION:
---------------------------	--------------



FY 2020-21  
STANDARD PLANS

U-TYPE CONCRETE ENDWALL  
ENERGY DISSIPATOR 30" TO 72" PIPE

INDEX  
430-012

SHEET  
2 of 3