

ORIGINATION FORM

Proposed Revisions to a Standard Plans Index
(Please provide all information – Incomplete forms will be returned)

Contact Information:

Date: October 25, 2018
Originator: **Cheryl Hudson**
Phone: 414-5332
Email:

Standard Plans:

Index Number: **425-010**
Sheet Number (s): 1 of 5
Index Title: Structure Bottoms Type J and P

Summary of the changes:

Sheet 1: Added a 4'-0" diameter option in ALTERNATE B SECTION B-B and ROUND RISER OPENING detail.

Commentary / Background:

Other Affected Offices / Documents: (Provide name of responsible personnel)

Yes	No	
<input type="checkbox"/>	<input type="checkbox"/>	Other Standard Plans –
<input type="checkbox"/>	<input type="checkbox"/>	FDOT Design Manual –
<input type="checkbox"/>	<input type="checkbox"/>	Basis of Estimates Manual –
<input type="checkbox"/>	<input type="checkbox"/>	Standard Specifications –
<input type="checkbox"/>	<input type="checkbox"/>	Approved Product List –
<input type="checkbox"/>	<input type="checkbox"/>	Construction –
<input type="checkbox"/>	<input type="checkbox"/>	Maintenance –

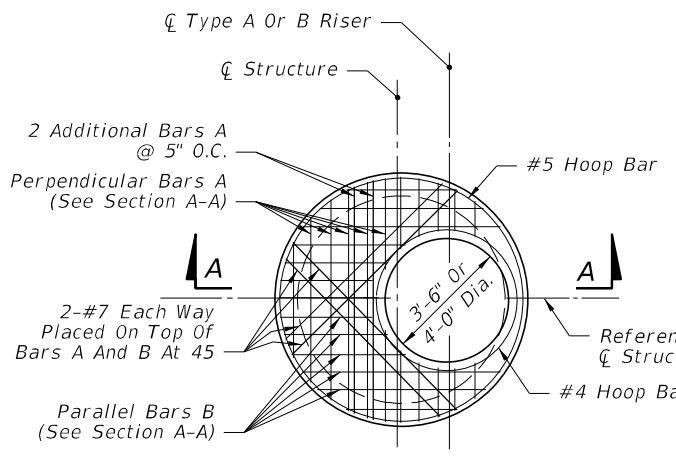
Origination Package Includes: (Email or hand deliver package to Derwood Sheppard)

Yes	N/A	
<input checked="" type="checkbox"/>	<input type="checkbox"/>	Redline Mark-ups
<input type="checkbox"/>	<input type="checkbox"/>	Proposed Standard Plan Instructions (SPI)
<input type="checkbox"/>	<input type="checkbox"/>	Revised SPI
<input type="checkbox"/>	<input type="checkbox"/>	Other Support Documents

Implementation:

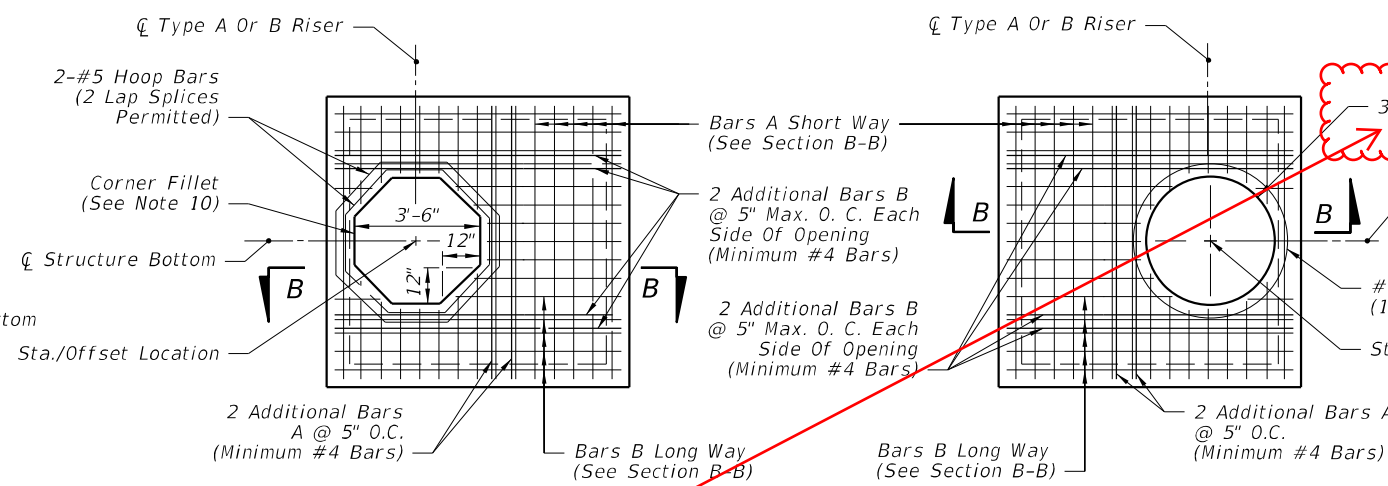
Design Bulletin (Interim) DCE Memo Program Mgmt. Bulletin FY-Standard Plans (Next Release)

————— **Contact the Roadway Design Office for assistance in completing this form** —————



NOTE:
Not Applicable For Type A, B, C, D & E Ditch Bottom Inlets Or Type S & V Gutter Inlets.
See Indexes 425-040, 425-050, 425-051, and 425-052.

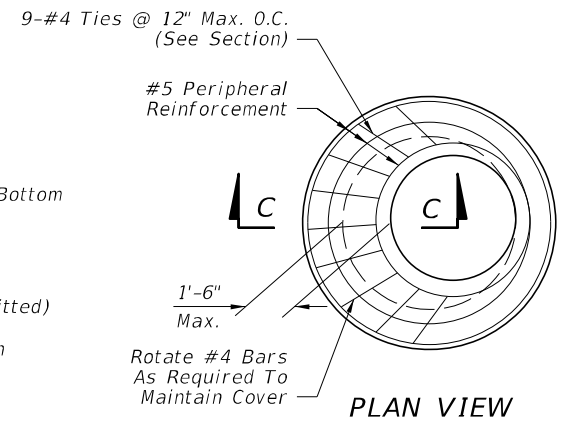
TOP SLAB REINFORCING STEEL DIAGRAM (ALTERNATE A)



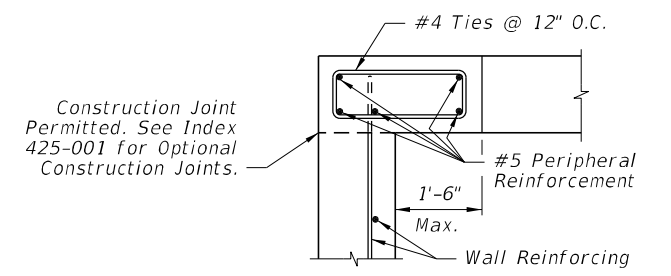
SQUARE OPENING WITH CORNER FILLETS

ROUND RISER OPENING

TOP SLAB REINFORCING STEEL DIAGRAM (ALTERNATE B)

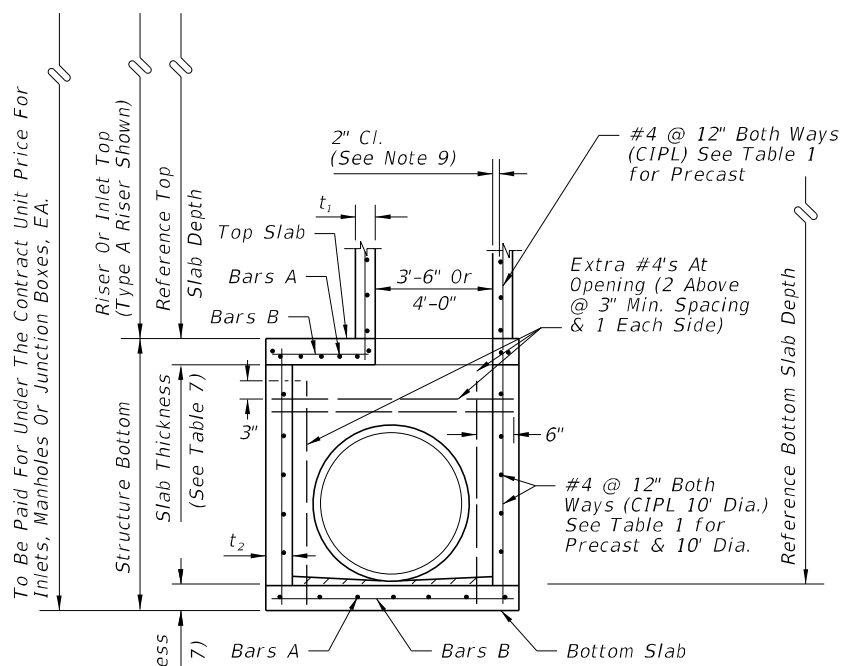


PLAN VIEW

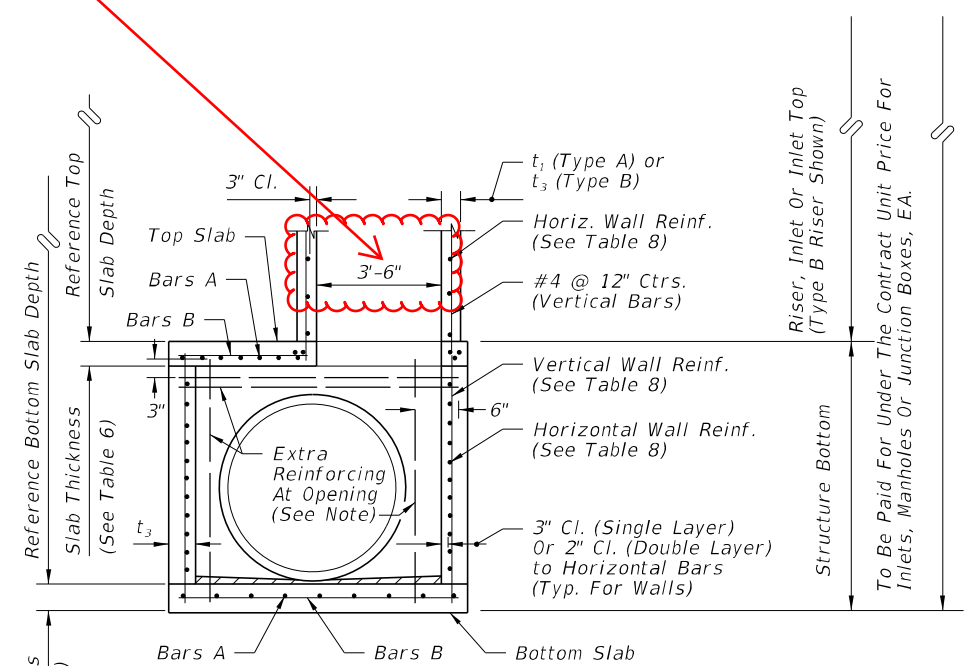


SECTION C-C SPECIAL TOP SLAB*

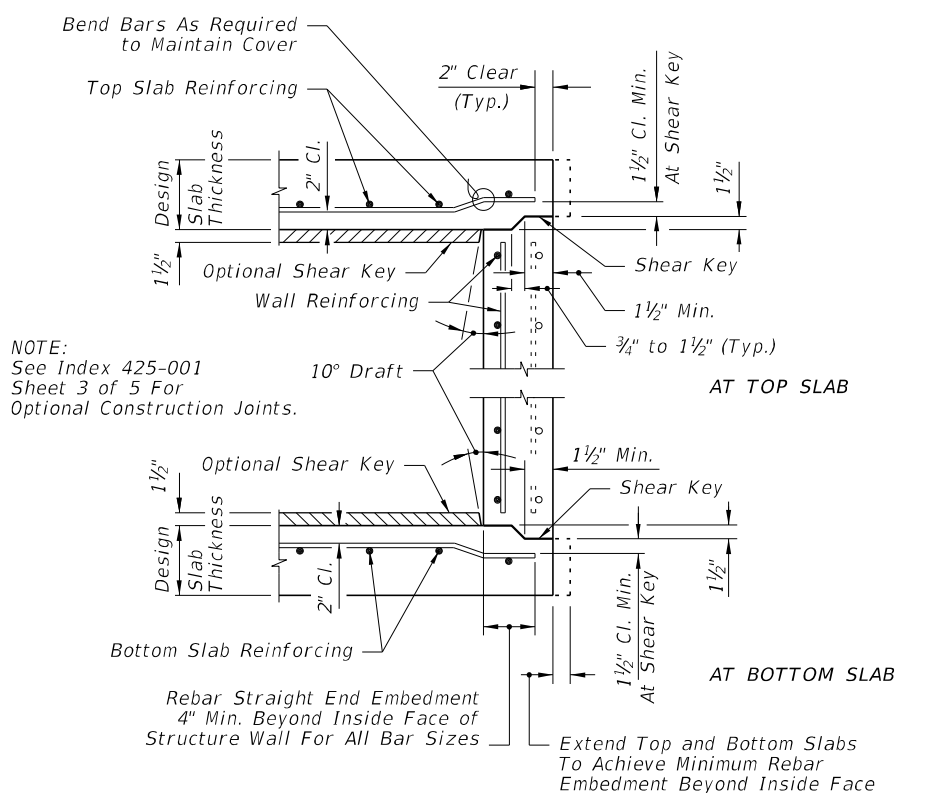
ADDED 4'-0" Option



SECTION A-A (ALTERNATE A)



SECTION B-B (ALTERNATE B)

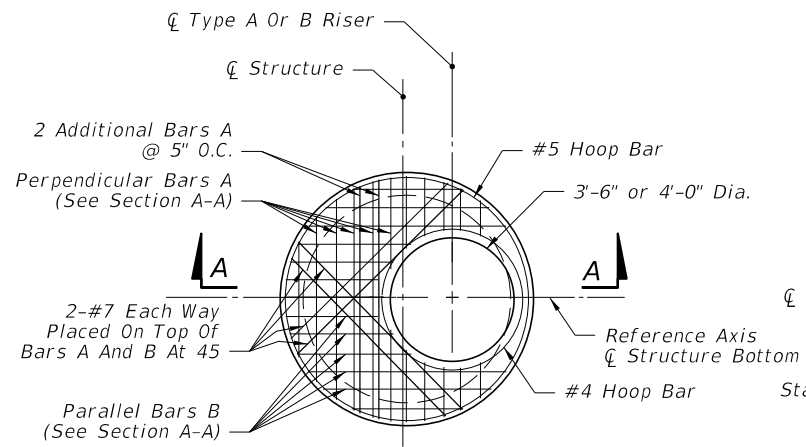


TYPICAL SLAB TO WALL DETAILS FOR PRECAST STRUCTURES

9/18/2018 2:33:52 PM

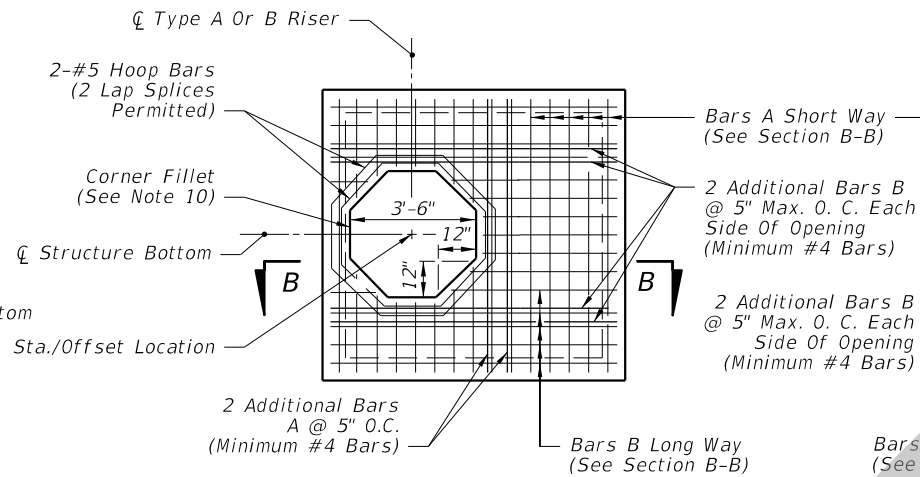
LAST REVISION	DESCRIPTION:	FY 2019-20 STANDARD PLANS	STRUCTURE BOTTOMS TYPE J AND P	INDEX 425-010	SHEET 1 of 5
11/01/17	← 11/01/19				



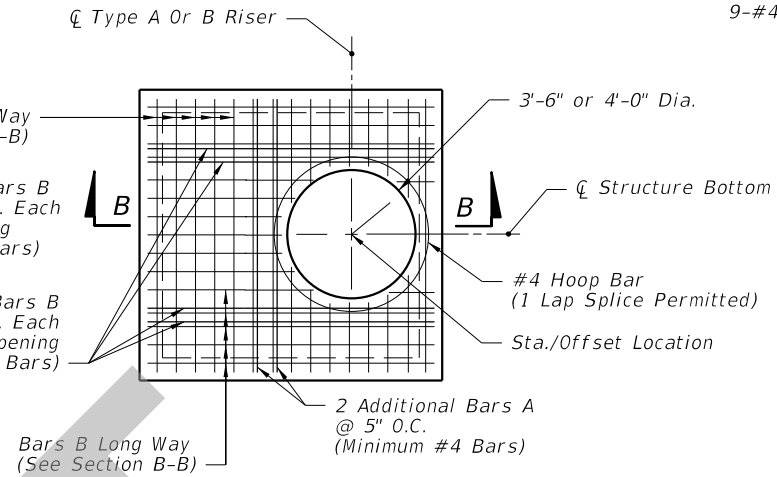


NOTE:
Not Applicable For Type A, B, C, D & E Ditch Bottom Inlets Or Type S & V Gutter Inlets.
See Indexes 425-040, 425-050, 425-051, and 425-052.

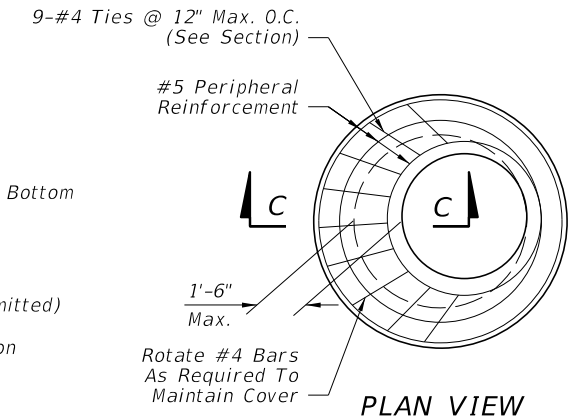
TOP SLAB REINFORCING STEEL DIAGRAM
(ALTERNATE A)



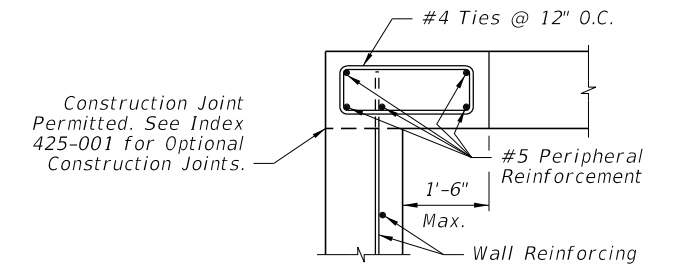
SQUARE OPENING WITH CORNER FILLETS
TOP SLAB REINFORCING STEEL DIAGRAM
(ALTERNATE B)



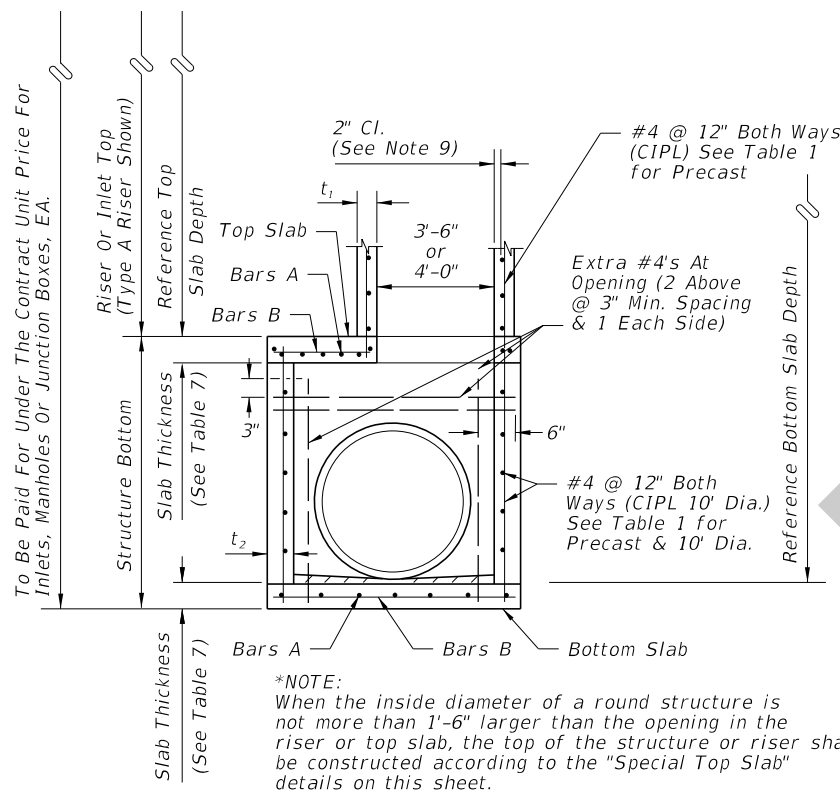
ROUND RISER OPENING
TOP SLAB REINFORCING STEEL DIAGRAM
(ALTERNATE B)



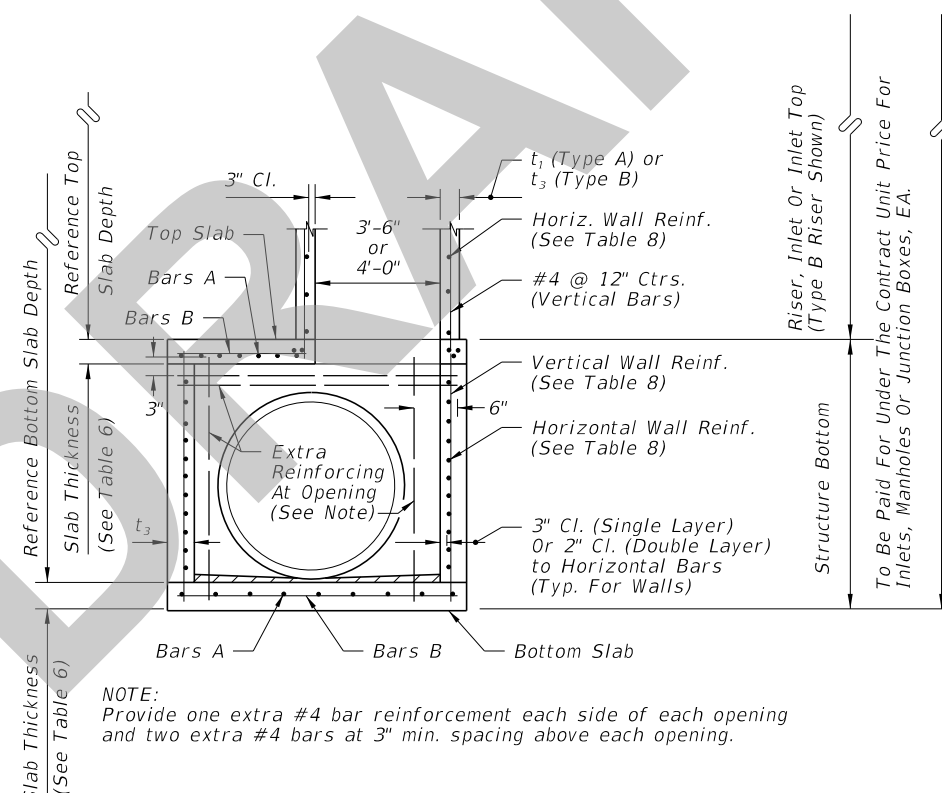
PLAN VIEW



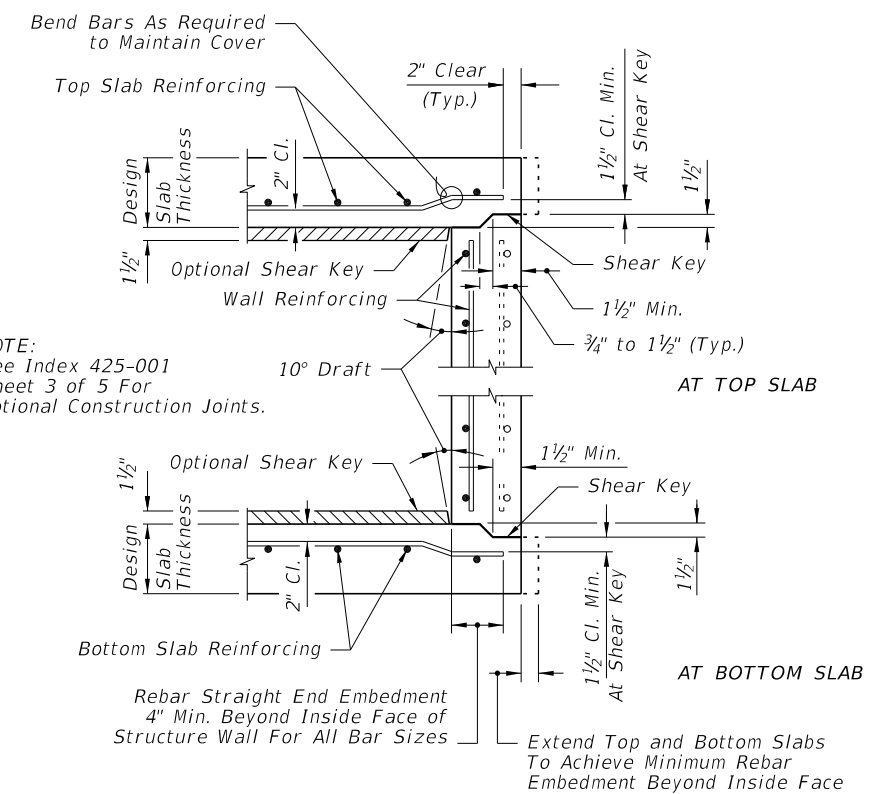
SECTION C-C
SPECIAL TOP SLAB*



SECTION A-A
(ALTERNATE A)



SECTION B-B
(ALTERNATE B)



TYPICAL SLAB TO WALL DETAILS
FOR PRECAST STRUCTURES

8/26/2019 1:56:29 PM

LAST REVISION 11/01/19	DESCRIPTION:		FY 2020-21 STANDARD PLANS	STRUCTURE BOTTOMS TYPE J AND P	INDEX 425-010	SHEET 1 of 5
REVISION						