

---

## Index 700-120

### Electronic Display Sign – Roadside Flashing Beacons

#### ORIGINATION

**Date:** 9/21/18

**Name:** Edward Cashman

**Phone:** (850) 414-4314

**Email:** Edward.Cashman@dot.state.fl.us

#### COMMENTARY

The primary concern was that some signs (the RRFB in particular) were mounted too low and may interfere with sidewalk users. Also, it was not readily apparent that Conventional-Power and Solar-Power was an option for each assembly type.

#### COMMENTS AND RESPONSES

**BLACK** = Industry Review Comments    **RED** = Standard Plans Response

**Name:** Edward Cashman

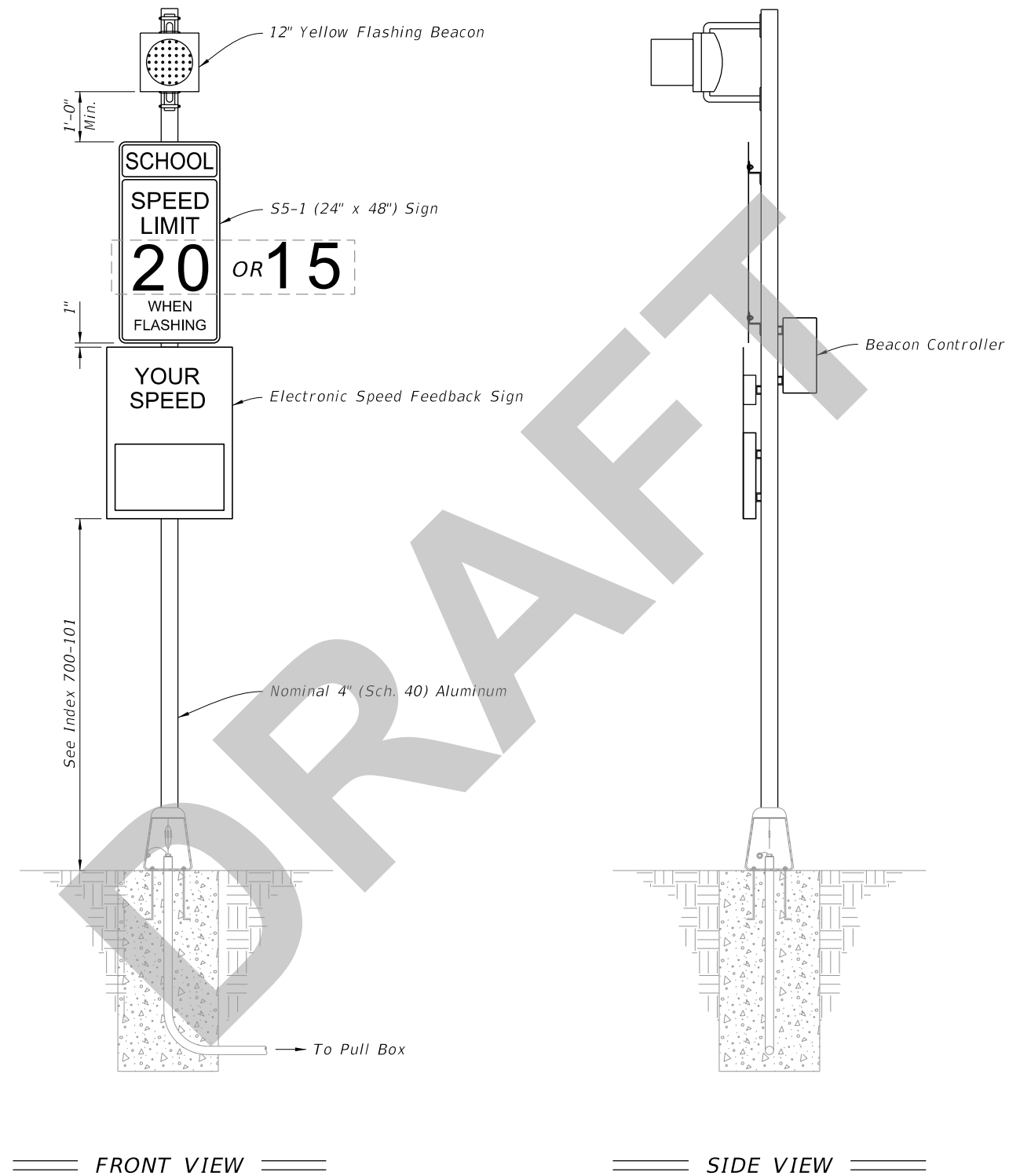
**Date:** 9/21/18

#### **COMMENT:**

Change 40s to 45. Otherwise, the usage window gets a little narrow.

#### **RESPONSE:**

Changed “speeds greater than 40 mph” to “speeds greater than 45 mph” on Note 2, Sheets 5, 7, and 8.



**NOTES:**

1. Type A3 Assembly (conventionally-powered) is shown. Type B3 Assemblies (solar-powered) similar.
2. Use electronic speed feedback sign with 15" high numerals for posted speed of 45 mph or less, and 18" high numerals for posted speeds greater than 45 mph.

10/16/2018 11:54:23 AM

**ROADSIDE SIGN ASSEMBLY-3**

LAST REVISION 11/01/18	REVISION	DESCRIPTION:
---------------------------	----------	--------------



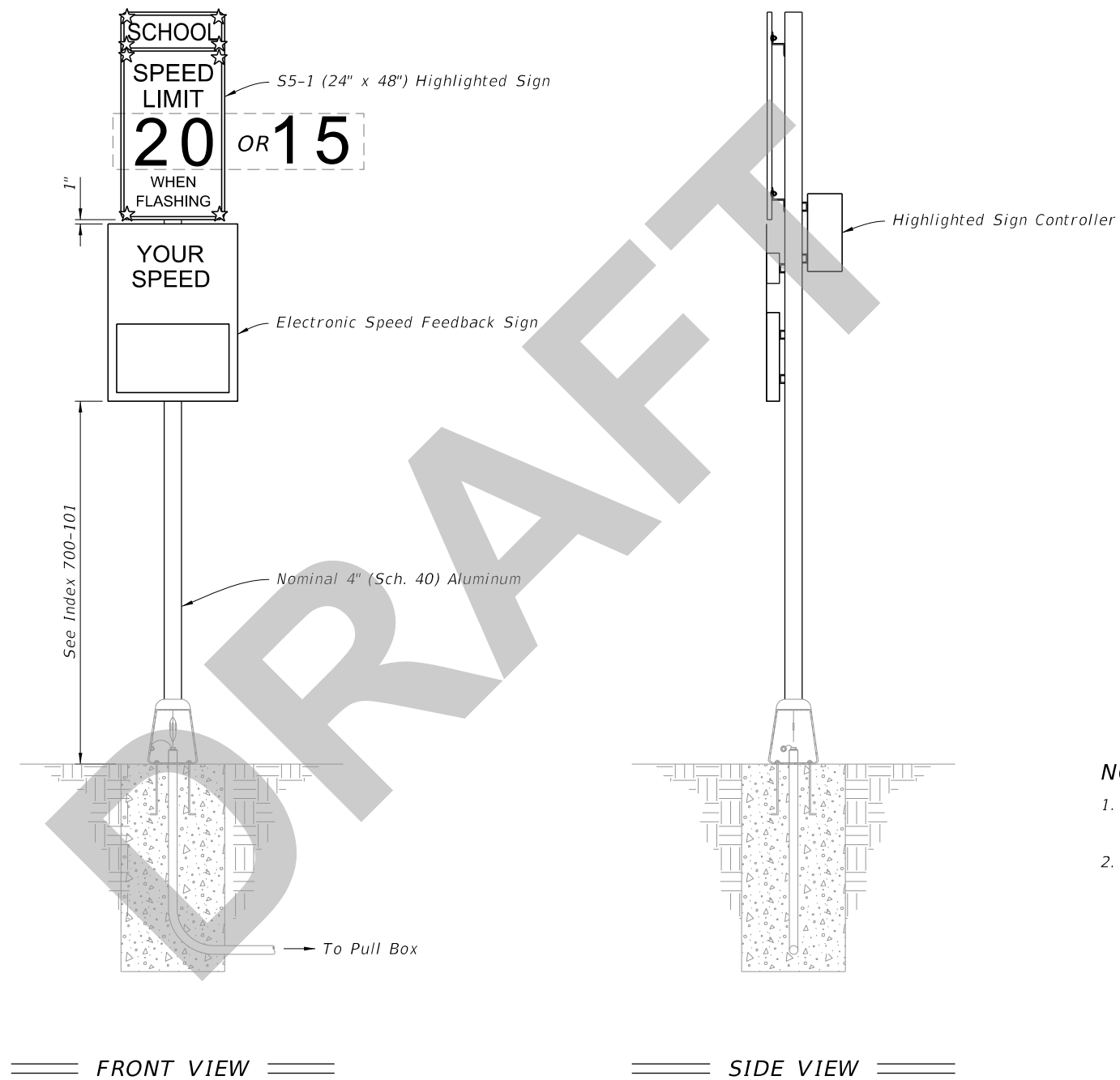
FY 2019-20  
STANDARD PLANS

ENHANCED HIGHWAY SIGNING ASSEMBLIES

INDEX  
700-120

SHEET  
5 of 9

10/16/2018 11:54:24 AM



**NOTES:**

1. Type A5 Assembly (conventionally-powered) is shown. Type B5 Assemblies (solar-powered) similar.
2. Use electronic speed feedback sign with 15" high numerals for posted speed of 45 mph or less, and 18" high numerals for posted speeds greater than 45 mph.

**ROADSIDE SIGN ASSEMBLY-5**

LAST REVISION 11/01/18	REVISION	DESCRIPTION:
---------------------------	----------	--------------



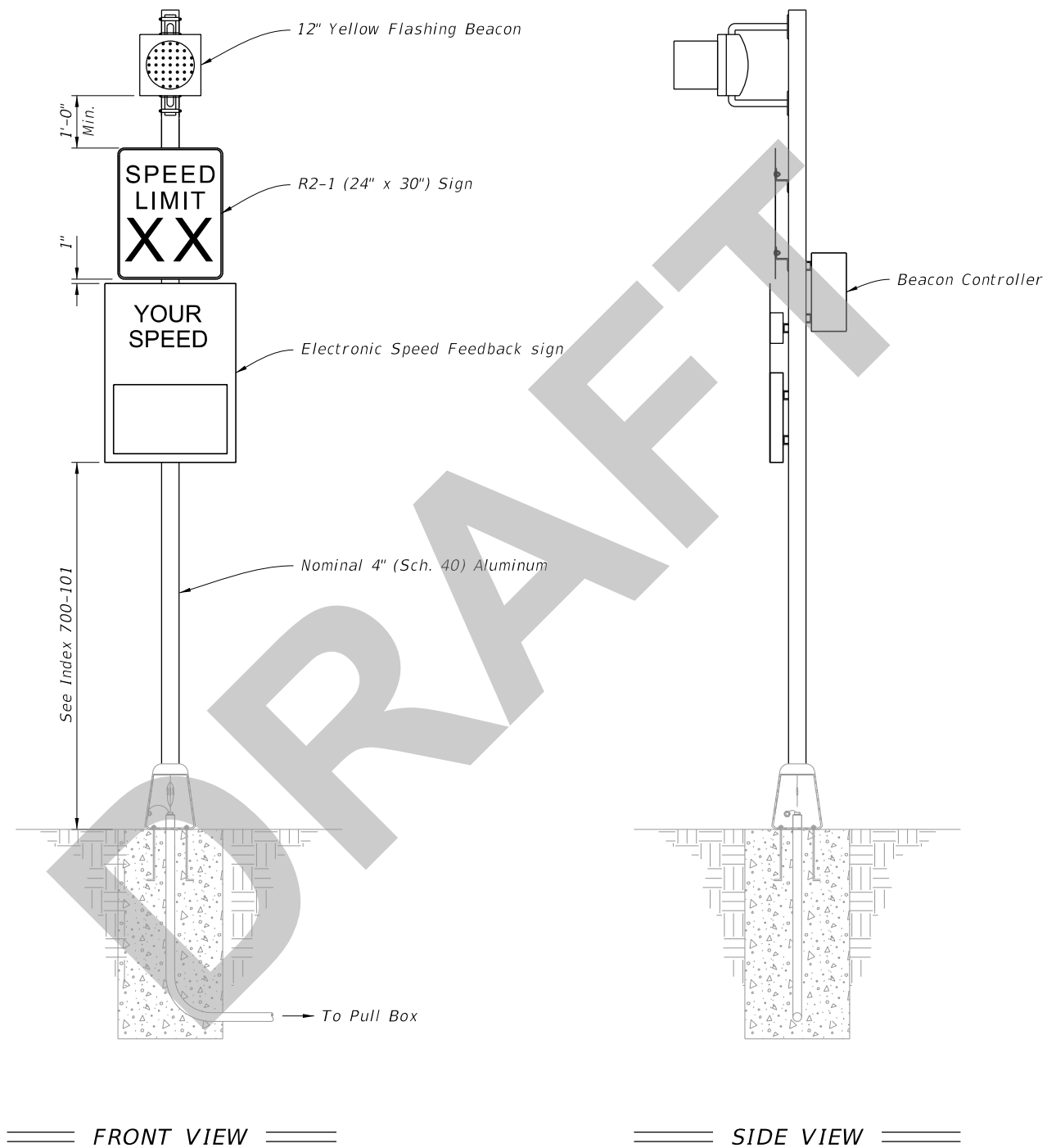
FY 2019-20  
STANDARD PLANS

ENHANCED HIGHWAY SIGNING ASSEMBLIES

INDEX  
700-120

SHEET  
7 of 9

10/16/2018 11:54:24 AM



**NOTES:**

1. Type A6 Assembly (conventionally-powered) is shown. Type B6 Assemblies (solar-powered) similar.
2. Use electronic speed feedback sign with 15" high numerals for posted speed of 45 mph or less, and 18" high numerals for posted speeds greater than 45 mph.

**ROADSIDE SIGN ASSEMBLY-6**

LAST REVISION 11/01/18	REVISION	DESCRIPTION:
---------------------------	----------	--------------



FY 2019-20  
STANDARD PLANS

ENHANCED HIGHWAY SIGNING ASSEMBLIES

INDEX  
700-120

SHEET  
8 of 9