

ORIGINATION FORM

Proposed Revisions to a Standard Plans Index
(Please provide all information – Incomplete forms will be returned)

Contact Information:

Date: June 28, 2018
Originator: **Cheryl Hudson/Andre Pavlov**
Phone: (850) 414-5332
Email:

Standard Plans:

Index Number: **700-110**
Sheet Number (s): 1 of 1
Index Title: Mounting Exit Number Panels to Highway Signs

Summary of the changes:

Changed Index title to "Mounting Exit Number Panels to Overhead Highway Signs"; Change Notes; Editorial changes to ELEVATION; Changed SECTION A-A Bolt notes

Commentary / Background:

Notes part of continuing effort for consistency; Bolt notes on index 700-030

Other Affected Offices / Documents: (Provide name of responsible personnel)

- | Yes | No | |
|--------------------------|-------------------------------------|--------------------------------------|
| <input type="checkbox"/> | <input checked="" type="checkbox"/> | Other Standard Plans – Cheryl Hudson |
| <input type="checkbox"/> | <input checked="" type="checkbox"/> | FDOT Design Manual – |
| <input type="checkbox"/> | <input checked="" type="checkbox"/> | Basis of Estimates Manual – |
| <input type="checkbox"/> | <input checked="" type="checkbox"/> | Standard Specifications – |
| <input type="checkbox"/> | <input checked="" type="checkbox"/> | Approved Product List – |
| <input type="checkbox"/> | <input checked="" type="checkbox"/> | Construction – |
| <input type="checkbox"/> | <input checked="" type="checkbox"/> | Maintenance – |

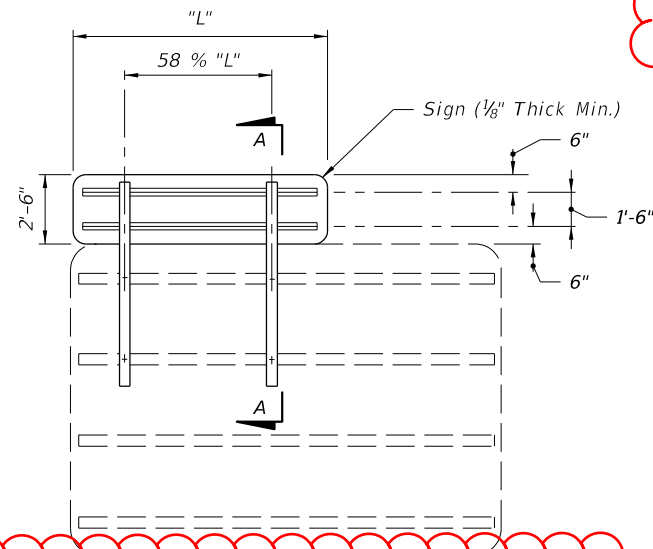
Origination Package Includes: (Email or hand deliver package to Derwood Sheppard)

- | Yes | N/A | |
|-------------------------------------|--------------------------|---|
| <input checked="" type="checkbox"/> | <input type="checkbox"/> | Redline Mark-ups |
| <input type="checkbox"/> | <input type="checkbox"/> | Proposed Standard Plan Instructions (SPI) |
| <input type="checkbox"/> | <input type="checkbox"/> | Revised SPI |
| <input type="checkbox"/> | <input type="checkbox"/> | Other Support Documents |

Implementation:

- Design Bulletin (Interim) DCE Memo Program Mgmt. Bulletin FY-Standard Plans (Next Release)

————— **Contact the Roadway Design Office for assistance in completing this form** —————

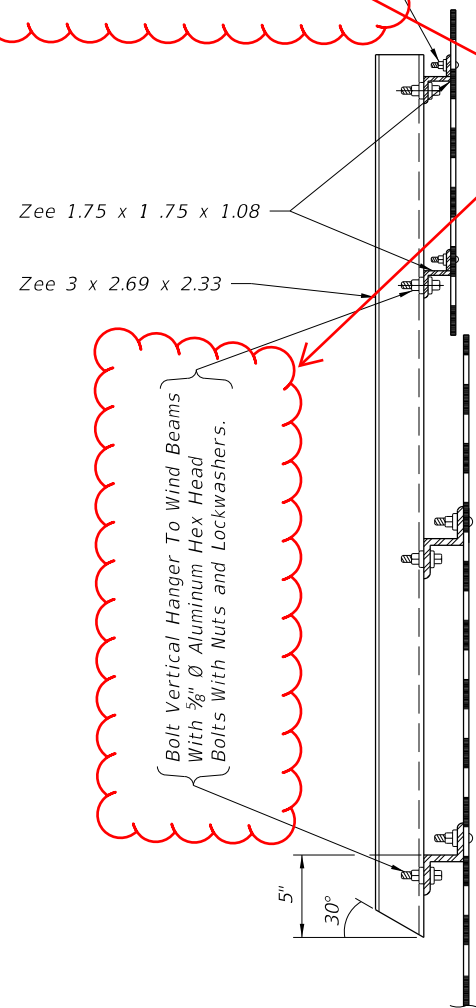


NOTE: Exit numbering panel shall be located to the right side for right exit and to the left for left exit.

Mounting of Exit Numbering Panels To Highway Signs

CHANGED NOTES
ELEVATION

Bolt Sign to Zee Using 1/4" Ø Aluminum Flat Head Bolts, Nuts and Lock Washers (Typ.) 12" Max Spacing



Bolt Vertical Hanger To Wind Beams With 5/8" Ø Aluminum Hex Head Bolts With Nuts and Lockwashers.

SECTION AA

CHANGED CALL OUTS

GENERAL NOTES

MATERIALS:
All aluminum materials shall meet the requirements of the Aluminum Association Alloy 6061-T6 and also the following ASTM specifications for the following: Sheets and plates B209; extruded shapes B221 and standard structural shapes B308.

ALUMINUM BOLTS, NUTS & LOCK WASHERS:
Aluminum bolts shall meet the requirements of the Aluminum Association Alloy 2024-T4 (ASTM F468). The bolts shall have an anodic coating of at least .0002" thick and be chromate sealed. Lockwashers shall meet the requirement of Aluminum Association Alloy 7075-T6 (ASTM B221). Nuts shall meet the requirement of Aluminum Association Alloy 6262-T9 (ASTM F467) or 6061-T6.

SIGN FACE:
All sign face corners shall be rounded. See sign layout sheet for dimension "L" and sign face details. For mounting details refer to Index 700-030.

CHANGED NOTES

CHANGED TO: MOUNTING EXIT NUMBER PANELS TO OVERHEAD SIGNS

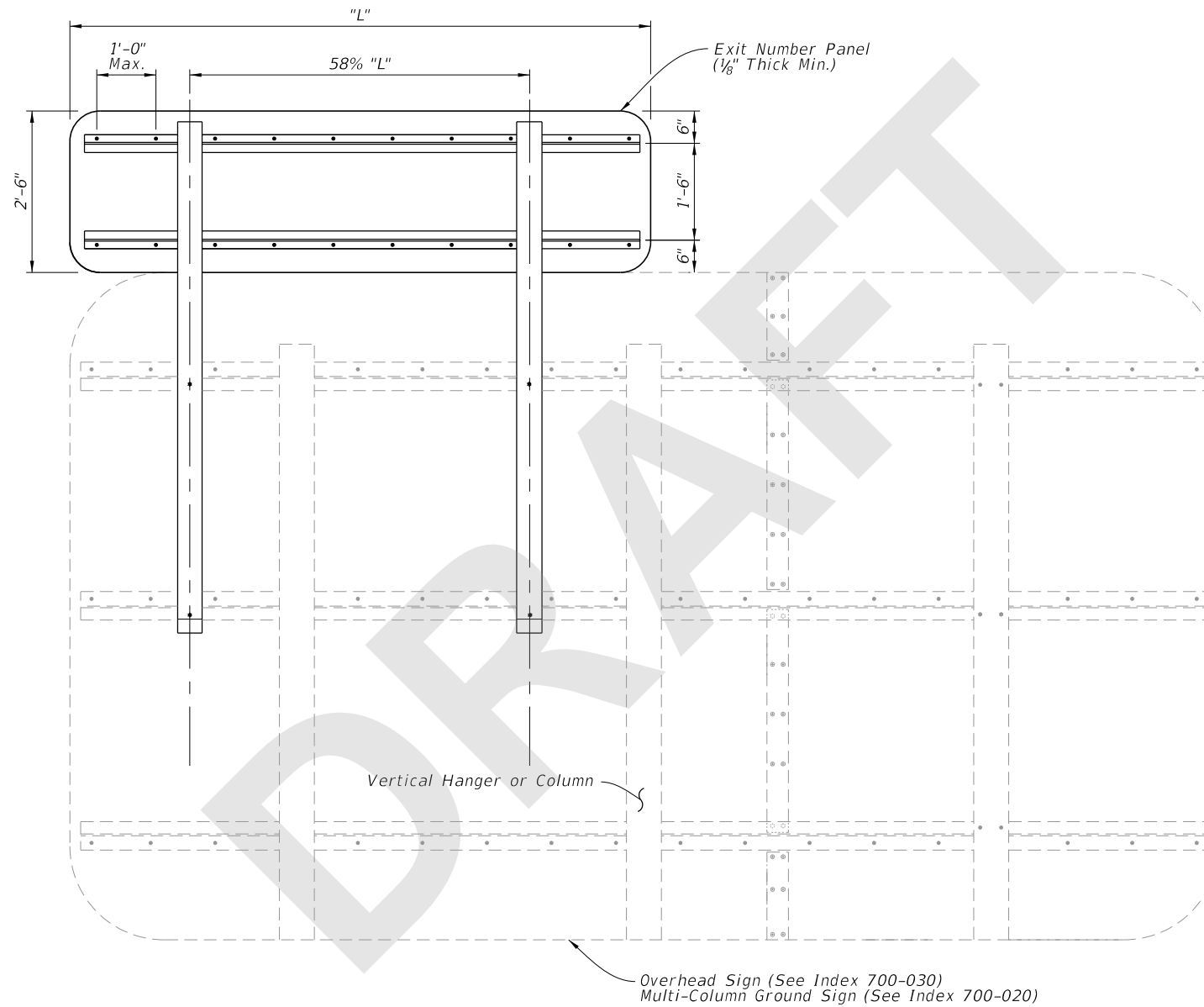
11/01/18

10/16/2017 2:48:48 PM

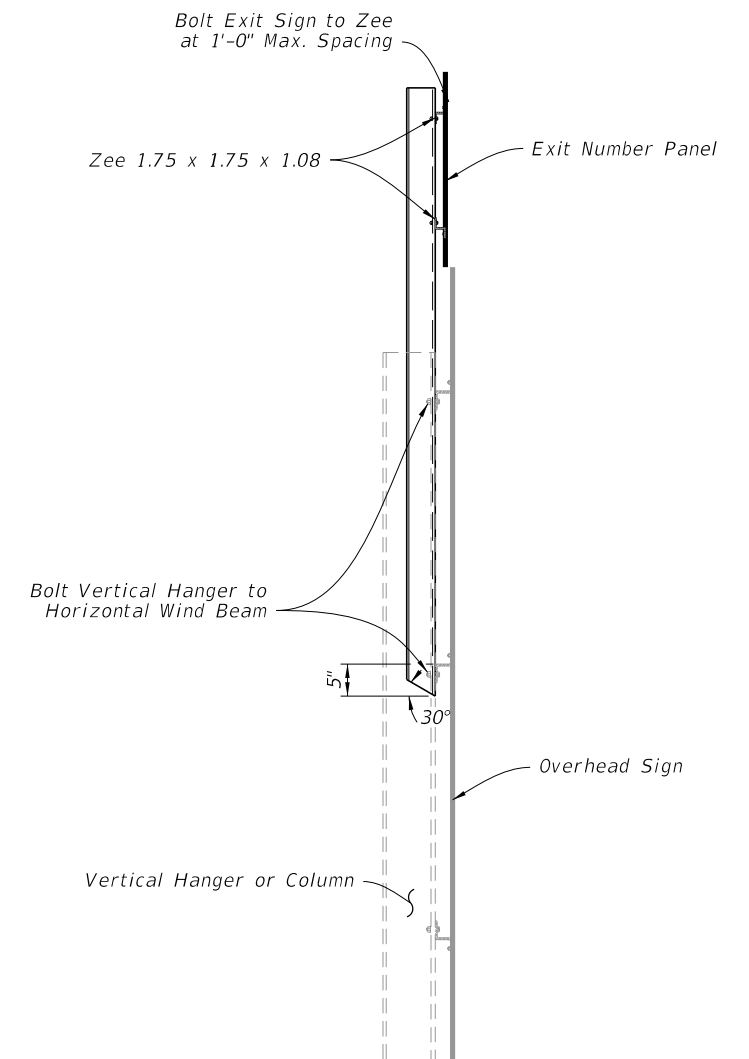
LAST REVISION 11/01/17	DESCRIPTION:		FY 2018-19 STANDARD PLANS	MOUNTING EXIT NUMBER PANELS TO HIGHWAY SIGNS	INDEX 700-110	SHEET 1 of 1
---------------------------	--------------	--	------------------------------	---	------------------	-----------------

NOTES:

1. Work with Index 700-030.
2. Materials (Aluminum):
 - A. Sheets and Plates: ASTM B209 Alloy 6061-T6
 - B. Standard Structural Shapes: ASTM B308 Alloy 6061-T6
 - C. Extruded Shapes: ASTM B221 Alloy 6061-T6
 - D. Bolts, Nuts, and Washers:
 - a. Bolts: ASTM F468 Alloy 2024-T4 with minimum 0.002-Inch-thick anodic coating, chromate sealed
 - b. Washers: ASTM B221 Alloy 2024-T4
 - c. Nuts: ASTM F467 Alloy 6061-T6 or 6262-T9
3. Fabrication:
 - A. See sign layout sheet for dimension "L" and sign face details in the Plans.
 - B. Round all sign corners.
4. For right exits, install the Exit Numbering Panel to the top right side of the Highway Sign.
5. For left exits, install the Exit Numbering Panel to the top left side of the Highway Sign.




BACK ELEVATION



SIDE ELEVATION

8/13/2018 3:28:56 PM

LAST REVISION 11/01/18	REVISION	DESCRIPTION:	 FY 2019-20 STANDARD PLANS	MOUNTING EXIT NUMBER PANELS TO SIGNS	INDEX 700-110	SHEET 1 of 1
---------------------------	----------	--------------	---	--------------------------------------	------------------	-----------------