

# ORIGINATION FORM

Proposed Revisions to a Standard Plans Index  
(Please provide all information – Incomplete forms will be returned)

## Contact Information:

Date: September 6, 2018  
Originator: **Derwood Sheppard / Jason Russell**  
Phone: (850) 414-4334  
Email: Derwood.Sheppard@dot.state.fl.us

## Standard Plans:

Index Number: **570-010**  
Sheet Number (s): 1  
Index Title: Shoulder Sodding and Turf on Existing Facilities

## Summary of the changes:

Changed General Notes to remove Specification 162 reference.

## Commentary / Background:

### Other Affected Offices / Documents: (Provide name of responsible personnel)

Yes	No	
<input type="checkbox"/>	<input type="checkbox"/>	Other Standard Plans –
<input type="checkbox"/>	<input type="checkbox"/>	FDOT Design Manual –
<input type="checkbox"/>	<input type="checkbox"/>	Basis of Estimates Manual –
<input checked="" type="checkbox"/>	<input type="checkbox"/>	Standard Specifications –
<input type="checkbox"/>	<input type="checkbox"/>	Approved Product List –
<input type="checkbox"/>	<input type="checkbox"/>	Construction –
<input type="checkbox"/>	<input type="checkbox"/>	Maintenance –

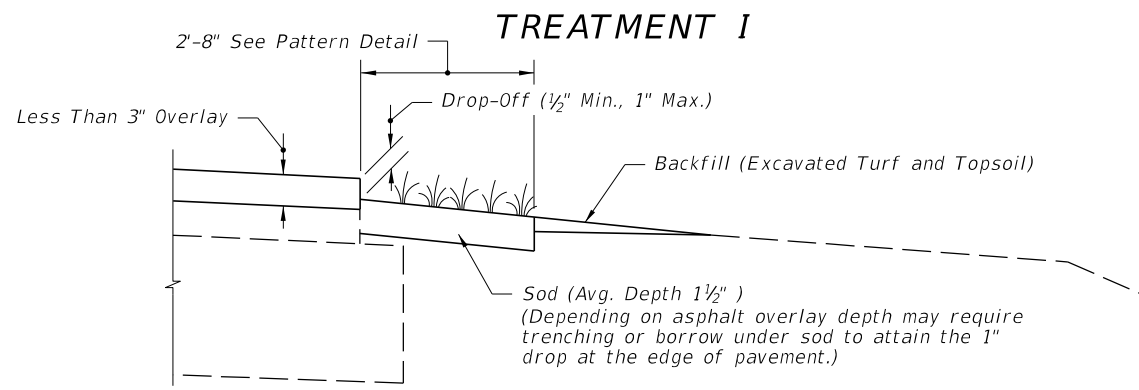
### Origination Package Includes: (Email or hand deliver package to Derwood Sheppard)

Yes	N/A	
<input checked="" type="checkbox"/>	<input type="checkbox"/>	Redline Mark-ups
<input type="checkbox"/>	<input type="checkbox"/>	Proposed Standard Plan Instructions (SPI)
<input type="checkbox"/>	<input type="checkbox"/>	Revised SPI
<input type="checkbox"/>	<input type="checkbox"/>	Other Support Documents

## Implementation:

Design Bulletin (Interim)    DCE Memo    Program Mgmt. Bulletin    FY-Standard Plans (Next Release)

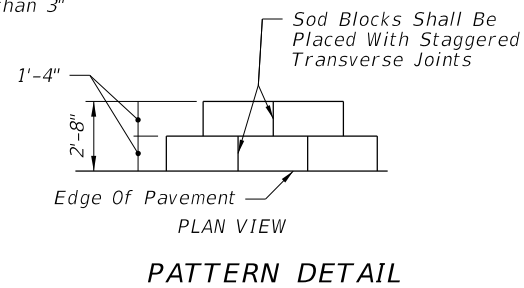
————— **Contact the Roadway Design Office for assistance in completing this form** —————



**COMPLETED SHOULDER**

**CRITERIA FOR USING TREATMENT I**

- Project \_\_\_
- is resurfacing, widening and resurfacing or construction of shoulder pavement
  - is rural or is urban without curb and gutter
  - resurfacing build-up is less than 3"



**GENERAL NOTES**

1. Treatment I:

A. If trenching under sod is necessary to achieve the required Drop-Off, excavated ~~turf and topsoil~~ <sup>is</sup> to be used for filling voids and low areas at the edge of pavement or for flushing along the edge of sod. Excess material to be uniformly distributed over the shoulder.

~~B. Payment for sod, excavation of turf and topsoil and for back fill of this material under Treatment I is to be included in the contract unit price for Performance Turf, SY. Prepared Soil Layer not required.~~

2. Treatment II:

**Borrow must meet the**

A. ~~All borrow shall meet~~ requirements for a "Select" material in accordance with Index 120-001 and Section 120 of the Standard Specifications.

B. Borrow may be used in lieu of excavated turf and topsoil when economically feasible, ~~however the upper 6" shall meet the requirements of Section 162 "Prepared Soil Layer"~~. There will be no additional payment for substituting borrow for excavated turf and topsoil.

~~C. When existing turf and topsoil do not meet the requirements of Section 162 "Prepared Soil Layer", provide additive materials as necessary in the upper 6" to meet the requirements of Section 162. There will be no additional payment for additives.~~

~~D. Payment for Treatment II will be under Prepared Soil Layer. Sod and other materials for turf establishment shall be paid for as Performance Turf, SY.~~

3. Special attention is to be directed at achieving the required Drop-Off at the edge of pavement, within the dimension range shown.

4. Activities such as clearing, grading, and excavating that will disturb one or more acres of land require coverage under the Generic Permit for Stormwater Discharge from Large and Small Construction Activities from the Florida Department of Environmental Protection, and implementation of appropriate pollution prevention measures to minimize erosion and sedimentation and properly manage stormwater.

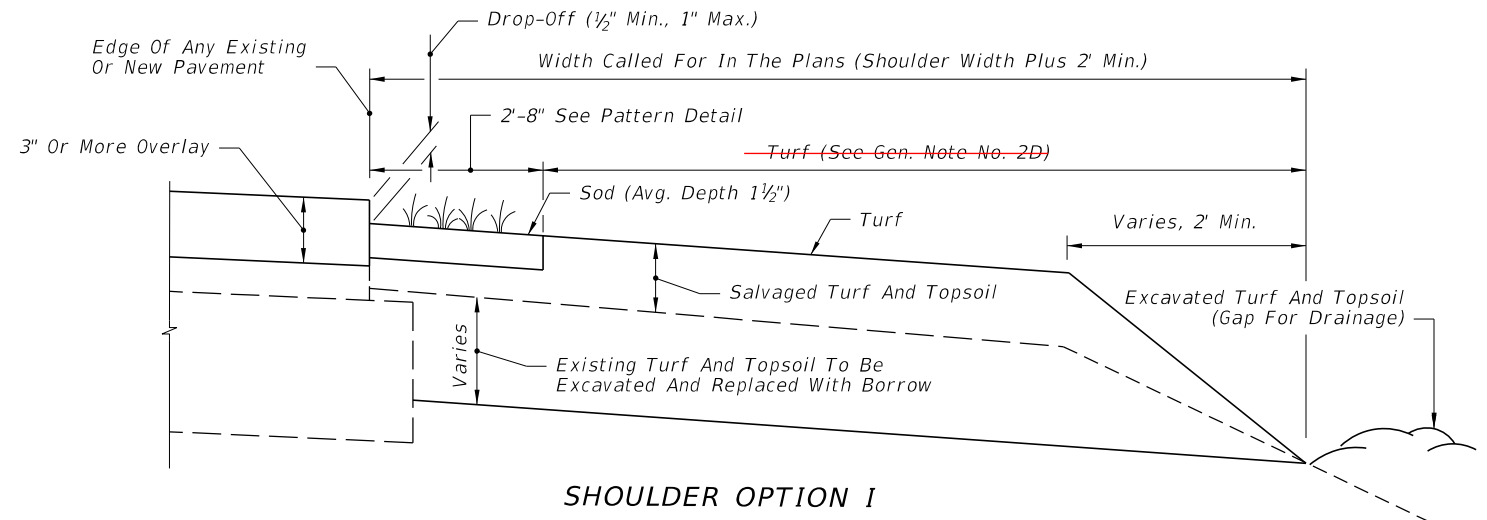
5. Turf Establishment:

A. Wildflowers destroyed by shoulder sodding and turf operations are to be reestablished under the seeding rates prescribed for permanent wildflower #2 Group shown by table on Index 570-001.

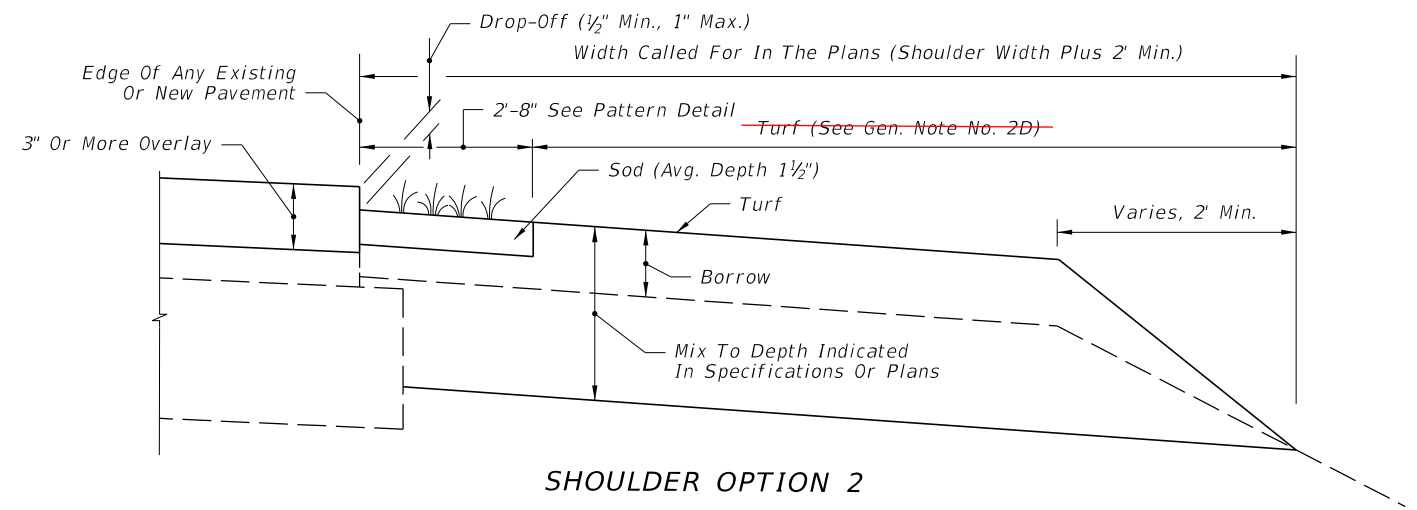
~~B. All turf establishment shall be performed meeting the requirements of Section 570 of the Standard Specifications.~~

**Establish turf in accordance with Specification 570.**

**TREATMENT II**



**SHOULDER OPTION 1**



**SHOULDER OPTION 2**

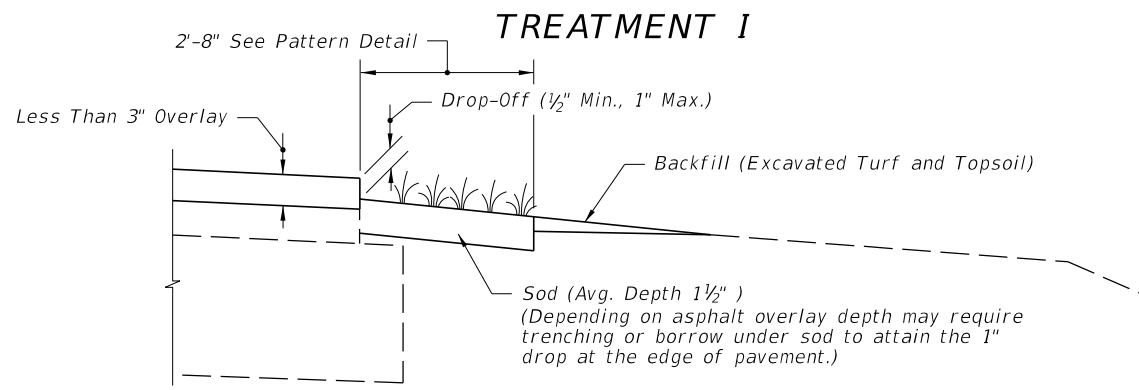
**CRITERIA FOR USING TREATMENT II**

- Project \_\_\_
- is resurfacing or construction of shoulder pavement
  - is rural or is urban without curb and gutter
  - resurfacing build-up is 3" or more

A SIMILAR TREATMENT MAY BE USED FOR PROJECTS THAT REQUIRE SHOULDER WIDENING. DETAILS ARE TO BE SHOWN IN THE PLANS.

10/16/2017 10:20:32 AM

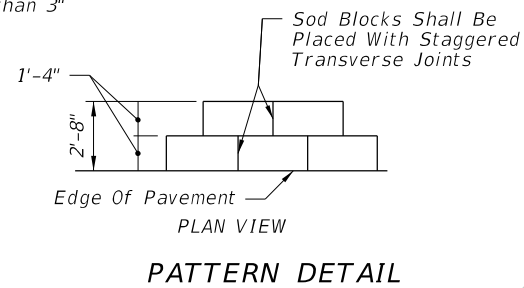
LAST REVISION	DESCRIPTION:
11/01/17	11/01/18



**COMPLETED SHOULDER**

**CRITERIA FOR USING TREATMENT I**

- Project \_\_\_
- is resurfacing, widening and resurfacing or construction of shoulder pavement
  - is rural or is urban without curb and gutter
  - resurfacing build-up is less than 3"



**GENERAL NOTES**

**1. Treatment I:**

If trenching under sod is necessary to achieve the required Drop-Off, excavated topsoil is to be used for filling voids and low areas at the edge of pavement or for flushing along the edge of sod. Excess material to be uniformly distributed over the shoulder.

**2. Treatment II:**

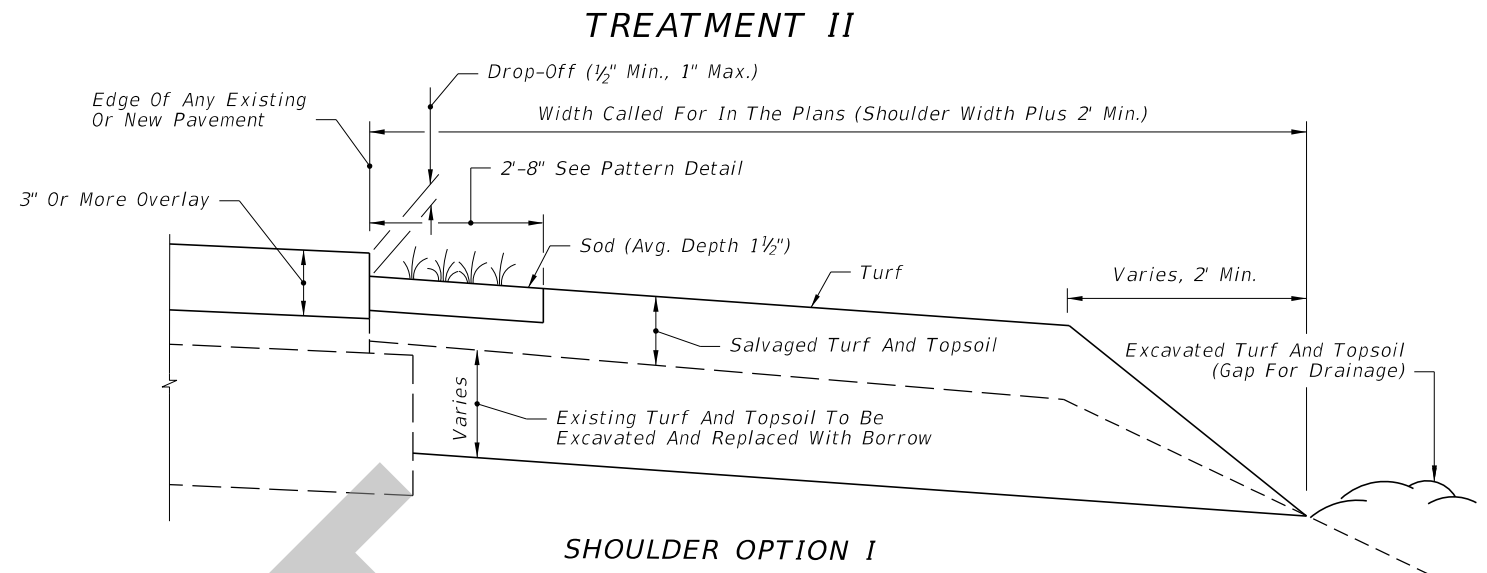
- A. Borrow must meet the requirements for a "Select" material in accordance with Index 120-001 and Specification 120.
- B. Borrow may be used in lieu of excavated turf and topsoil when economically feasible. There will be no additional payment for substituting borrow for excavated turf and topsoil.

**3. Special attention is to be directed at achieving the required Drop-Off at the edge of pavement, within the dimension range shown.**

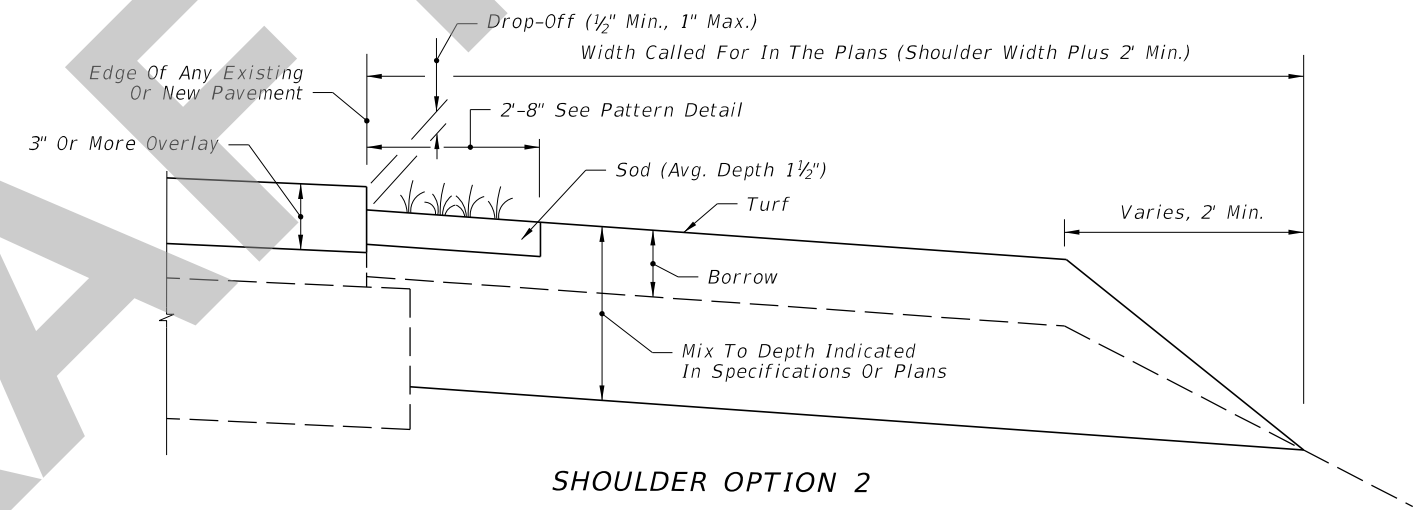
4. Activities such as clearing, grading, and excavating that will disturb one or more acres of land require coverage under the Generic Permit for Stormwater Discharge from Large and Small Construction Activities from the Florida Department of Environmental Protection, and implementation of appropriate pollution prevention measures to minimize erosion and sedimentation and properly manage stormwater.

**5. Turf Establishment:**

- A. Wildflowers destroyed by shoulder sodding and turf operations are to be reestablished under the seeding rates prescribed for permanent wildflower #2 Group shown by table on Index 570-001.
- B. Establish turf in accordance with Specification 570.



**SHOULDER OPTION 1**




**SHOULDER OPTION 2**

**CRITERIA FOR USING TREATMENT II**

- Project \_\_\_
- is resurfacing or construction of shoulder pavement
  - is rural or is urban without curb and gutter
  - resurfacing build-up is 3" or more

A SIMILAR TREATMENT MAY BE USED FOR PROJECTS THAT REQUIRE SHOULDER WIDENING. DETAILS ARE TO BE SHOWN IN THE PLANS.

SDATES

LAST REVISION 11/01/18	REVISION	DESCRIPTION:	 <b>FY 2019-20 STANDARD PLANS</b>	<b>SHOULDER SODDING AND TURF ON EXISTING FACILITIES</b>	INDEX 570-010	SHEET 1 of 1
---------------------------	----------	--------------	---	---	------------------	-----------------