

ORIGINATION FORM

Proposed Revisions to a Standard Plans Index
(Please provide all information – Incomplete forms will be returned)

Contact Information:

Date: November 28, 2017
Originator: **Derwood Sheppard**
Phone: (850) 414-3443
Email: derwood.sheppard@dot.state.fl.us

Standard Plans:

Index Number: **000-506**
Sheet Number (s): 1 of 1
Index Title: Miscellaneous Earthwork Details

Summary of the changes:

Renumbered Index to 160-001; Updated Notes; Reorganized sheet; Moved REMOVAL OF EXCESS BASE MATERIAL detail to Index 120-001.

Commentary / Background:

Other Affected Offices / Documents: (Provide name of responsible personnel)

- | Yes | No | |
|-------------------------------------|--------------------------|---|
| <input checked="" type="checkbox"/> | <input type="checkbox"/> | Other Standard Plans – Derwood Sheppard |
| <input type="checkbox"/> | <input type="checkbox"/> | FDOT Design Manual – |
| <input type="checkbox"/> | <input type="checkbox"/> | Basis of Estimates Manual – |
| <input type="checkbox"/> | <input type="checkbox"/> | Standard Specifications – |
| <input type="checkbox"/> | <input type="checkbox"/> | Approved Product List – |
| <input type="checkbox"/> | <input type="checkbox"/> | Construction – |
| <input type="checkbox"/> | <input type="checkbox"/> | Maintenance – |

Origination Package Includes: (Email or hand deliver package to Derwood Sheppard)

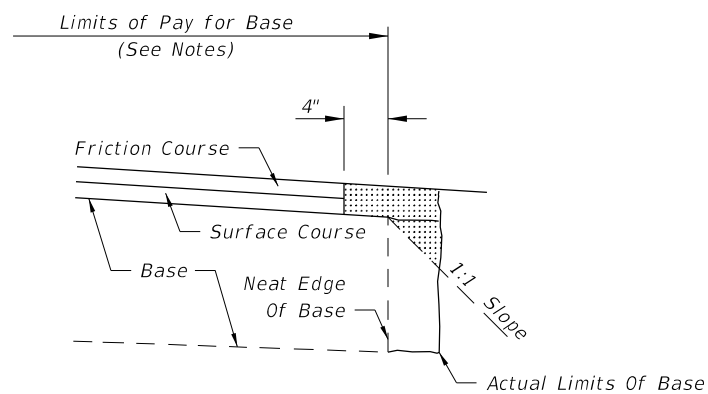
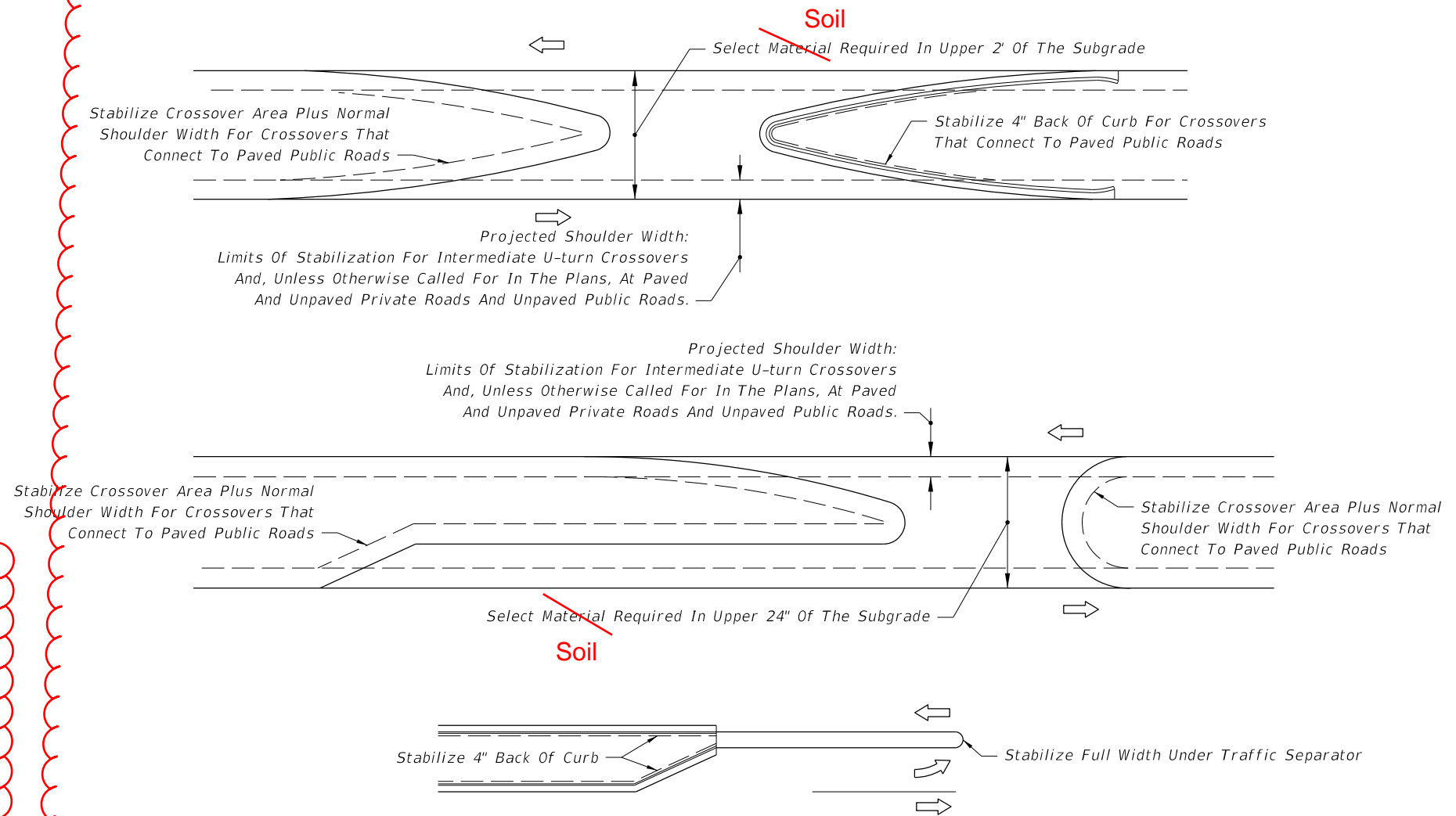
- | Yes | N/A | |
|-------------------------------------|--------------------------|---|
| <input checked="" type="checkbox"/> | <input type="checkbox"/> | Redline Mark-ups |
| <input type="checkbox"/> | <input type="checkbox"/> | Proposed Standard Plan Instructions (SPI) |
| <input type="checkbox"/> | <input type="checkbox"/> | Revised SPI |
| <input type="checkbox"/> | <input type="checkbox"/> | Other Support Documents |

Implementation:

- Design Bulletin (Interim) DCE Memo Program Mgmt. Bulletin FY-Standard Plans (Next Release)

Contact the Roadway Design Office for assistance in completing this form

REORGANIZED SHEET



MOVED TO INDEX 120-001

NOTES

1. All material in the shaded area is excess base to be removed.
2. The cost for removal of excess base material shall be included in the contract unit price for base.
3. Payment for base shall be calculated using normal width.

REMOVAL OF EXCESS BASE MATERIAL

NOTES

1. When the median has curb or curb and gutter, stabilize 4" back of curb.
2. When the median has shoulder with no curb or curb and gutter, stabilize to normal shoulder width.
3. See the details above for stabilizing requirements at crossroads.
4. Stabilize entire area under all paved traffic islands.
5. Stabilize full width under all traffic separators.
6. Select material as defined on Index 120-001. For minor collectors and local facilities the depth of select material thickness may be reduced from 24" to 18".

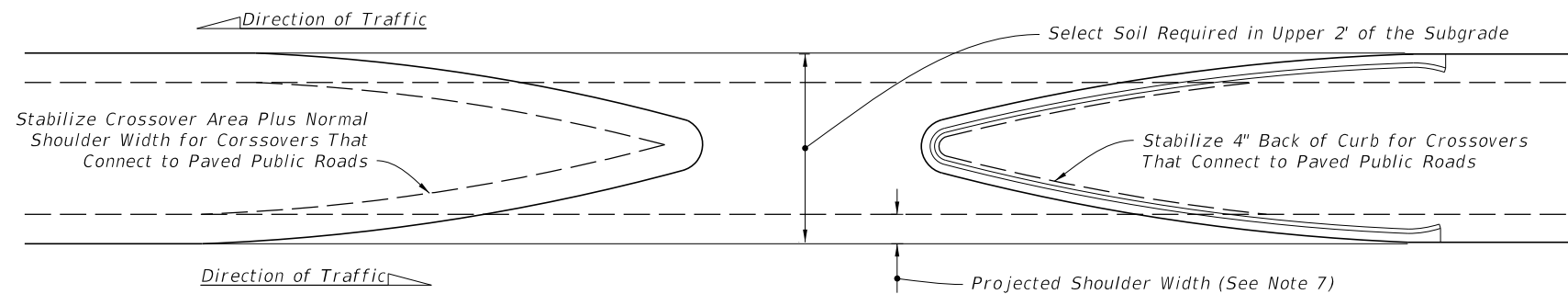
UPDATED NOTES

MEDIAN STABILIZING DETAILS

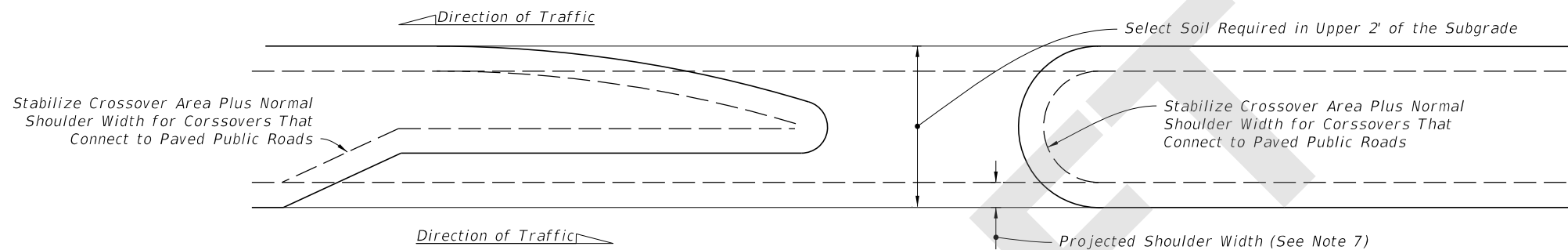
RENUMBERED INDEX TO 160-001

10/16/2017 7:44:43 AM

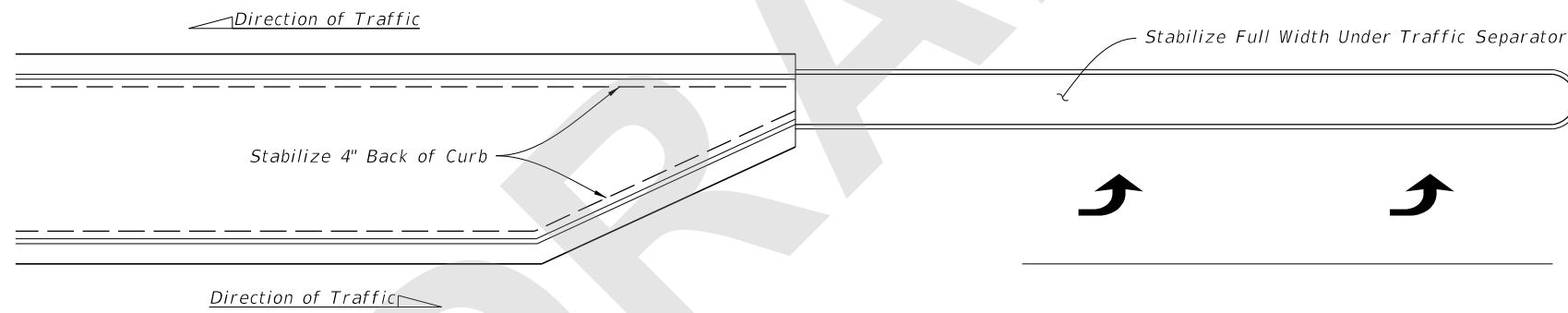
LAST REVISION 11/01/17 11/01/18	DESCRIPTION: 11/01/18	 FY 2018-19 STANDARD PLANS	MISCELLANEOUS EARTHWORK DETAILS	INDEX 000-506	SHEET 1 of 1
--	---	----------------------------------	---------------------------------	--	-----------------



TYPICAL CROSSOVER



TURN LANE



TRAFFIC SEPARATOR

NOTES:

1. When the median has curb or curb and gutter, stabilize 4" back of curb.
2. When the median has shoulder with no curb or curb and gutter, stabilize to normal shoulder width.
3. See the details above for stabilizing requirements at crossroads.
4. Stabilize entire area under all paved traffic islands.
5. Stabilize full width under all traffic separators.
6. Provide select soil where shown above and as defined on Index 120-001. For minor collectors and local facilities the depth of select material thickness may be reduced from 24" to 18".

MEDIAN STABILIZING DETAILS

8/8/2018 11:19:38 AM

LAST REVISION 11/01/18	REVISION	DESCRIPTION:	 FY 2019-20 STANDARD PLANS	MISCELLANEOUS EARTHWORK DETAILS	INDEX 160-001	SHEET 1 of 1
---------------------------	----------	--------------	---	---------------------------------	------------------	-----------------