


SHEET	CONTENTS
1	Index Contents; General Notes
2	Type P1 - Steel Loop Fence
3	Type P2 - Steel Chain Link Fence
4	Adjacent Sidewalk Mounting Options
5	Type P3 - Rope Fence

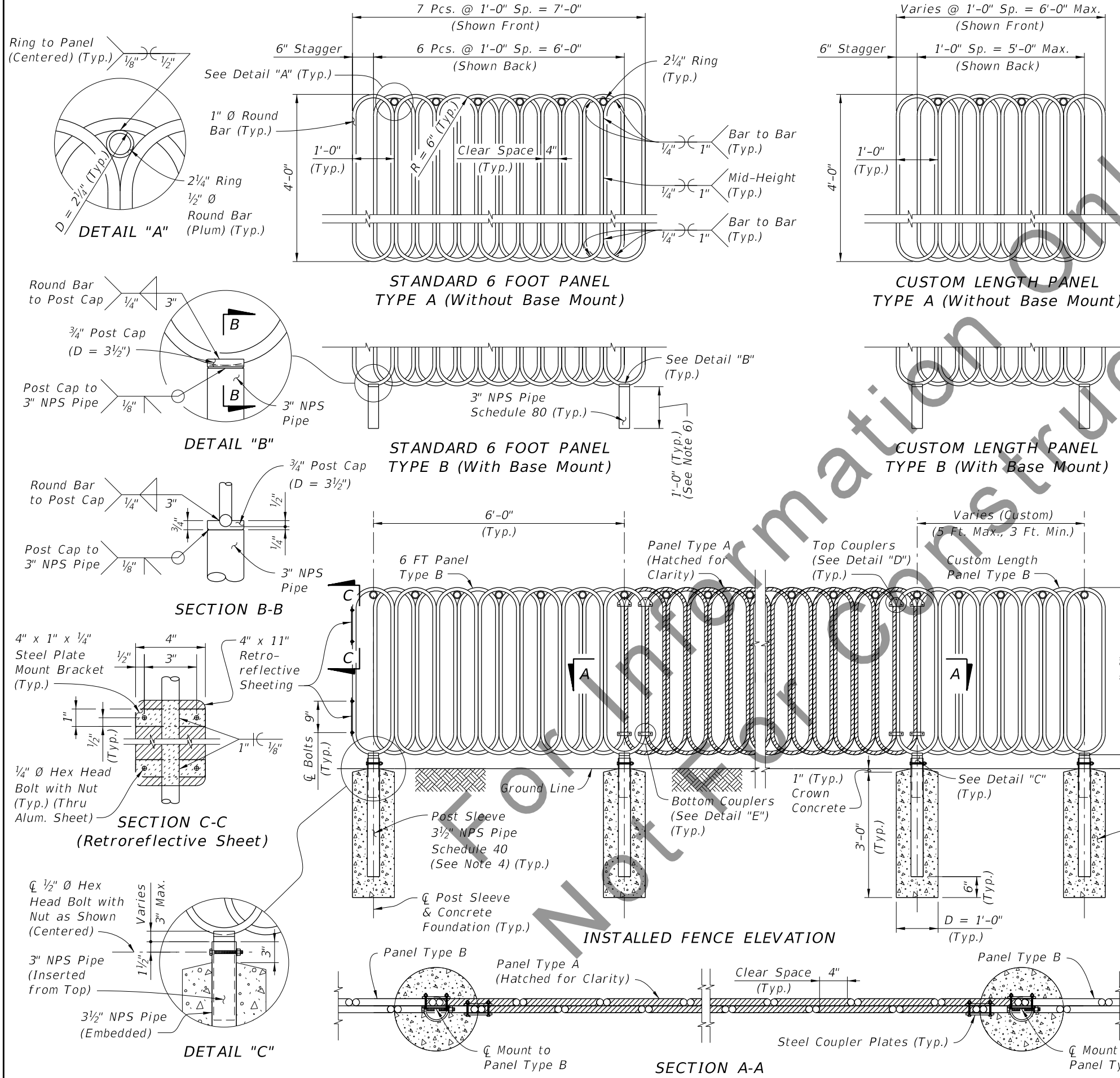
GENERAL NOTES:

1. GENERAL: Construct fencing in accordance with Developmental Specifications D550.
2. FENCE OPTIONS: Install one of the following fence options as called for in the Plans:
 - Type P1 - Steel Loop Fence
 - Type P2 - Steel Chain Link Fence
 - Type P3 - Rope Fence
 - Type P4 - Proprietary Alternative Steel Fence
3. TYPE P4 FENCE: Where called for in the plans, install a Proprietary Alternative Steel Fence as shown in the Department's Approved Products List (APL). Install this fence in accordance with the manufacturer's requirements, and follow the limitations in the APL drawings.

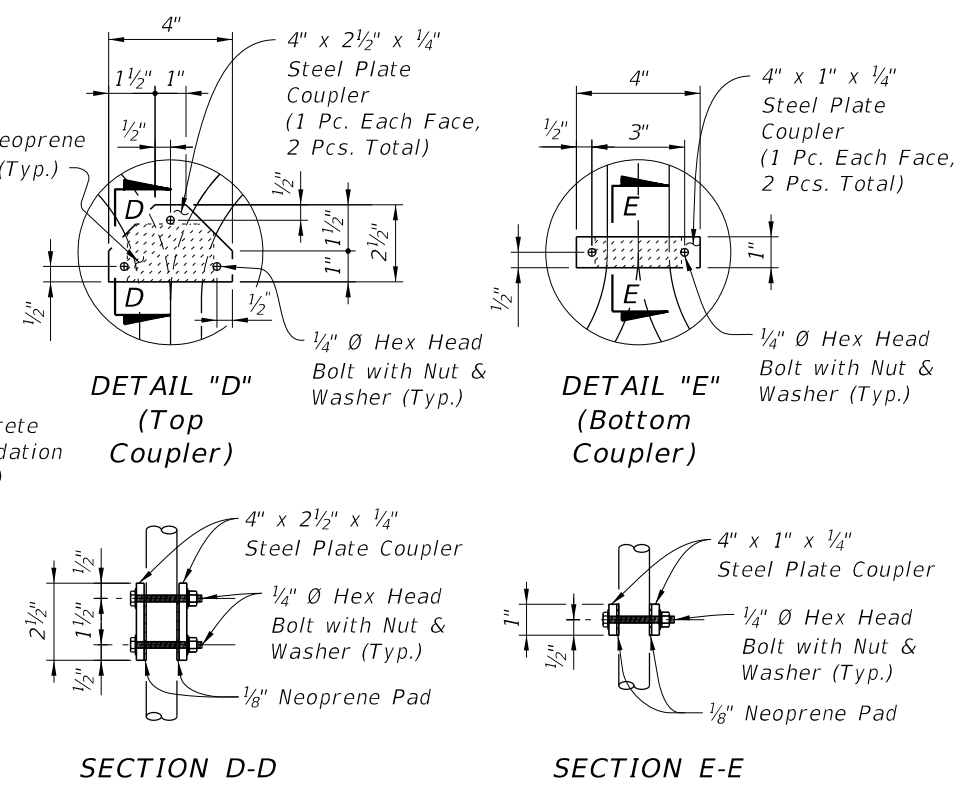
For Information Only
Not For Construction

1/11/2024 9:46:37 AM

LAST REVISION 01/10/24	REVISION	DESCRIPTION:	 DEVELOPMENTAL STANDARD PLANS	PEDESTRIAN CHANNELIZATION BARRIER	INDEX D550-804	SHEET 1 of 5
------------------------------	----------	--------------	---	--	-------------------	-----------------



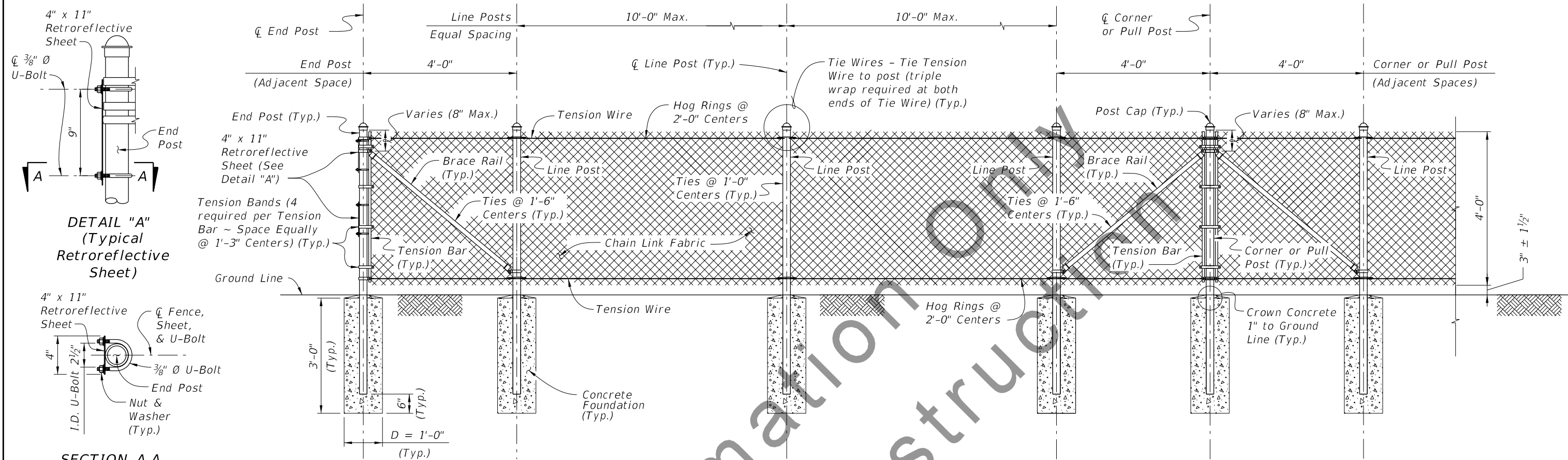
- NOTES:**
- BARS, POST CAPS, AND COUPLER PLATES:** Use smooth bars, post caps, and plates in conformance with ASTM A36.
 - POST SLEEVE AND POST PIPES:** Use steel pipe material for foundation mounting posts in conformance with ASTM F1083, excluding hot-dip galvanization.
 - CONCRETE FOUNDATIONS:** Use either Class NS concrete as specified in Specification 347 or a dry packaged material meeting the requirements of concrete under ASTM C387. Proportion materials by volume and/or weight.
 - INSTALLATION TOLERANCE:** Set sleeve $\pm 1"$ from C concrete foundation as needed to accommodate fencing location. Install fencing plumb, $\pm 1"$ from nominal C of fence.
 - FOUNDATION OPTIONS:** Use foundations shown herein or alternative shallower depth options shown on Sheet 4.
 - SIDEWALK MOUNTING:** For sidewalk mounting using the Anchor Plate Detail on Sheet 4, reduce the 3" NPS Pipe length to $4\frac{1}{8}"$.
 - WELDING:** Weld in accordance with the American Welding Society Structural Welding Code (Steel) ANSI/AWS D1.1 (current edition). Use metal conforming to E60XX or E70XX. Nondestructive testing of welds is not required.
 - NEOPRENE PADS:** Use Neoprene Pads in accordance with Specification 932, except that testing of the finished pads is not required.
 - GALVANIZING:** Cold galvanize all Steel Bars, Rings, Pipes, Post Sleeves, Post Caps, and Plates the Federal Standard No. 595, Color 27038 (Semi-Gloss Black) in accordance with Specification 561. Cold galvanize surfaces after respective welding operations are complete. For bolt hardware, see Note 12.
 - COUPLER MOUNT:** Tighten coupler mounts to deformation, providing sufficient vertical support for Panel Type A.
 - RING PLACEMENT:** For Panels Type A, place rings in the pattern shown starting with the second loop. For Panels Type B, place rings in the pattern shown starting with the first loop.
 - NUTS, BOLTS, AND WASHERS:** Use hot-dipped zinc-coated self-locking nuts in accordance with ASTM A563, bolts in accordance with ASTM A307, and washers in accordance with ASTM F436. Tack welds may be used in place of self-locking nuts. Snug tighten nuts and distort bolt threads to prevent removal of nuts. Galvanize distorted threads and tack welds in accordance with the Specification 561.
 - RETROREFLECTIVE SHEETING:** Install sheeting at the start or end of the fence where the retroreflective surface is directly visible to oncoming traffic in adjacent travel lane. Use Type IV retroreflective sheeting adhered to 0.040" aluminum backing in accordance with Specification 993-1 and matching the 4" x 11" dimension shown. Round corners of sheeting and backing with a $\frac{1}{2}"$ radius.



TYPE P1 - STEEL LOOP FENCE

1/11/2024 9:46:48 AM

LAST REVISION 10/11/22	REVISION	DESCRIPTION:		DEVELOPMENTAL STANDARD PLANS	PEDESTRIAN CHANNELIZATION BARRIER	INDEX D550-804	SHEET 2 of 5
---------------------------	----------	--------------	--	---------------------------------	-----------------------------------	-------------------	-----------------



NOTES:

- MATERIALS:** Use component materials as specified in the Table of Chain Link Fence Components. For the Concrete Foundations shown, use either Class NS concrete as specified in Specification 347 or a dry packaged material meeting the requirements of a concrete under ASTM C 387. Proportion materials by volume and/or weight.
- FOUNDATION MOUNTS:** Set Line Posts in Concrete Foundations as shown or alternatively set with the following methods:
 - In accordance with project-specific details described in the contract plans
 - In accordance with ASTM F567 Subsections 5.4 through 5.10 as approved by the Engineer
 - In accordance with the Anchor Plate Detail shown on Sheet 4

Set End Posts, Pull Posts, and Corner Posts with the same methods as Line Posts, except that Concrete Foundations must be used for all soil conditions other than solid rock.

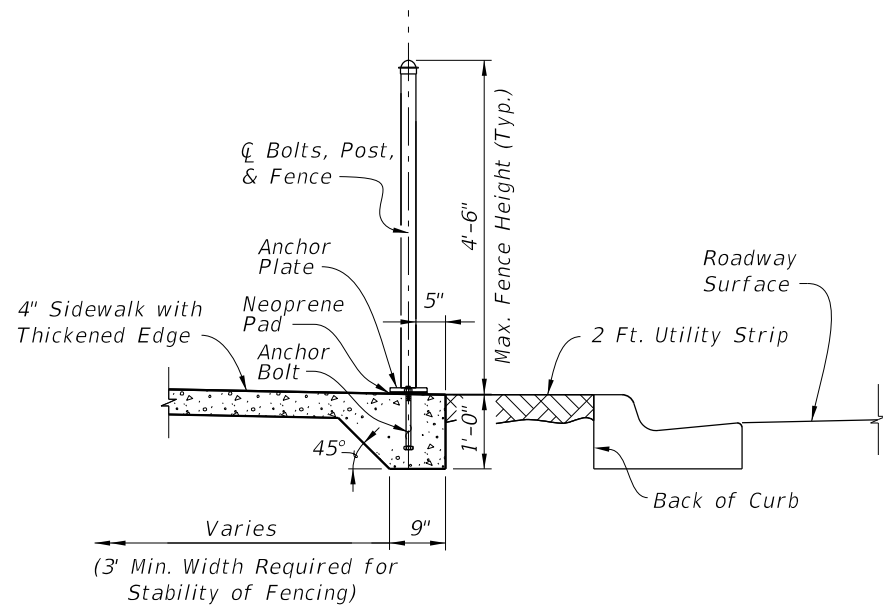
As an alternative to the Concrete Foundations shown herein, shallower mount foundations shown on Sheet 4 may be used. Adjust post lengths as needed to maintain fence height shown.
- POST USAGE:** Use post types (End, Line, Corner, and Pull Posts) as specified in the plans, including the typical adjacent brace assemblies shown. Nominal post lengths are typically 7'-1", where the post height extends 3" above the chain link height.
- COLD GALVANIZING:** Cold galvanize all Posts (pipes), Post Caps, Brace Rails, Tensions Bars, and Bands with the Federal Standard No. 595, Color No. 27038 (Semi-Gloss Black) in accordance with Specification 561.
- POST SET TOLERANCE:** Set Post in concrete with the Post ϕ at $\pm 1"$ from the ϕ of the installed Concrete Foundation.
- MESH ORIENTATION:** Place mesh on the side of the fence nearest the roadway, between the roadway and the brace rails.
- GENERAL FENCE INSTALLATION/TOLERANCE:** Install posts plumb, within a tolerance of $\pm 1"$ from nominal ϕ of post. Assemble fence hardware in accordance with ASTM F567.
- NUTS, BOLTS, AND WASHERS:** Use as defined on Sheet 2.
- RETROREFLECTIVE SHEETING:** Use as defined on Sheet 2. Place two Retroreflective Sheets, one sheet with its center approximately 1'-6" above the Ground Line and one sheet with its center approximately 3'-2" above the Ground Line.

TABLE OF CHAIN LINK FENCE COMPONENTS		
COMPONENT	ASTM NO.	COMPONENT INFORMATION
Posts	F 1083	Steel Pipe - 2" NPS, Schedule 80 - Not hot-dip galvanized (Outer Diameter 2.38", 0.218" Wall Thickness)
Chain Link Fabric 2" Mesh	F 668	Polyvinyl Chloride (PVC) Coated Steel - No. 9 gage Zinc Coated Wire (Metallic coated core wire diameter) - Polymer coating color Federal Standard 595 color Semi-Gloss Black FS27038 - Knuckled Selvage (Top and Bottom)
Tie Wires	F 626	Zinc Coated Steel Wire - No. 9 gage
Tension Wire	A 824	Type II (Zinc Coated Steel Wire) - No. 7 gage, Class 4 Coating
Brace Rails	F 1083	Steel Pipe - 1 1/4" NPS, Schedule 40 - Not hot-dip galvanized (1.660" Outside Diameter, 0.140" Wall Thickness)
Brace Rail Bands	F 626	No. 12 gage (Min. thickness) x 3/4" (Min. width) Steel Bands (Beveled or Heavy)
Tension Bars	F 626	3/16" (Min. thickness) x 3/4" (Min. width) x 3'-11" (Min. height) Steel Bars
Tension Bands	F 626	No. 14 gage (Min. thickness) x 3/4" (Min. width) Steel Bands
Hog Rings	F 626	Zinc Coated Steel Wire - No. 12 gage
Miscellaneous Fence Components	F 626	Zinc Coated Steel - Includes post or loop caps, horizontal and brace rail ends, and all other fittings and hardware

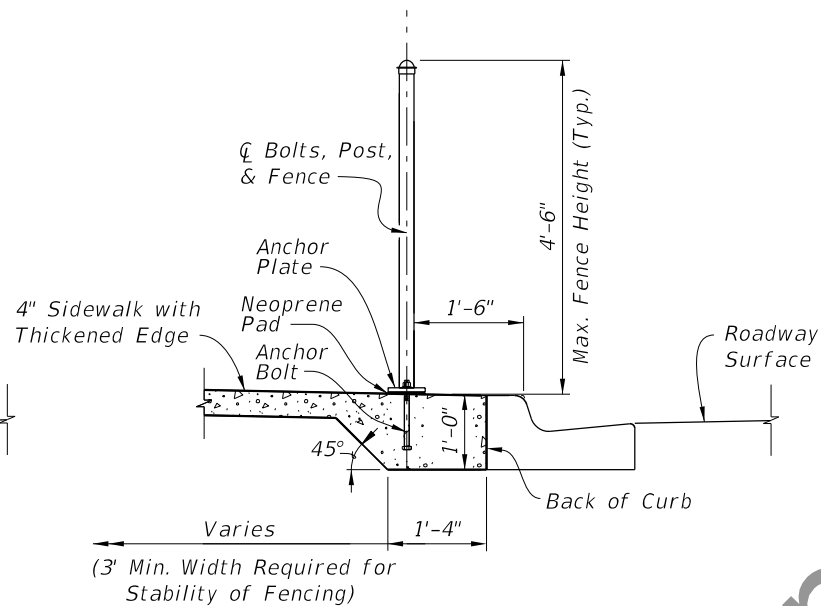
TYPE P2 - STEEL CHAIN LINK FENCE

1/11/2024 9:46:56 AM

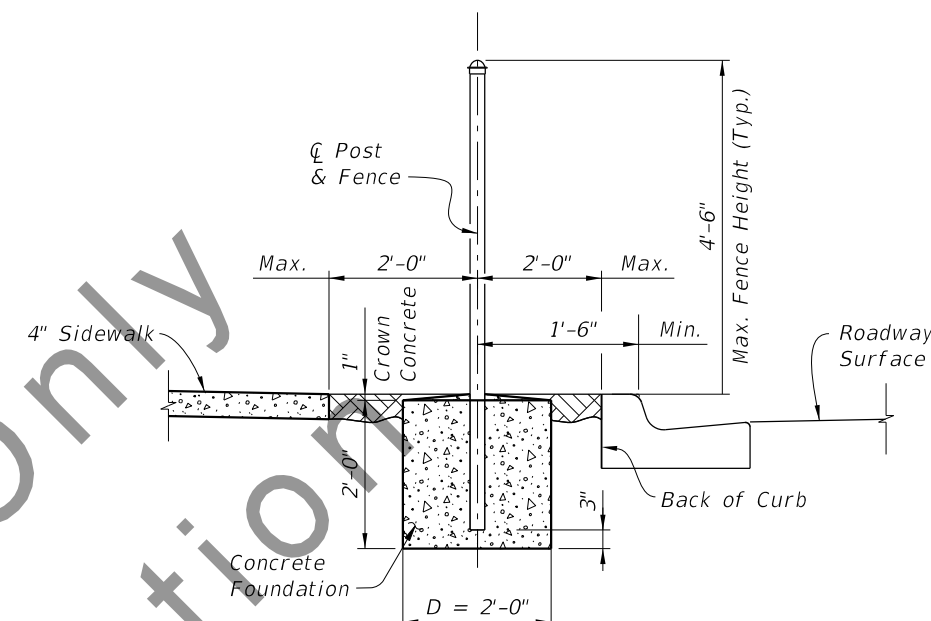
LAST REVISION 10/11/22	DESCRIPTION:		DEVELOPMENTAL STANDARD PLANS	PEDESTRIAN CHANNELIZATION BARRIER	INDEX	SHEET
					D550-804	3 of 5



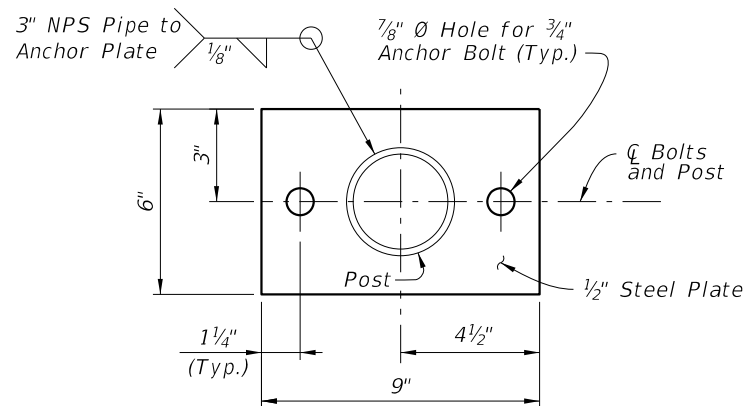
OPTION 1 - NEW CONSTRUCTION SECTION WITH UTILITY STRIP



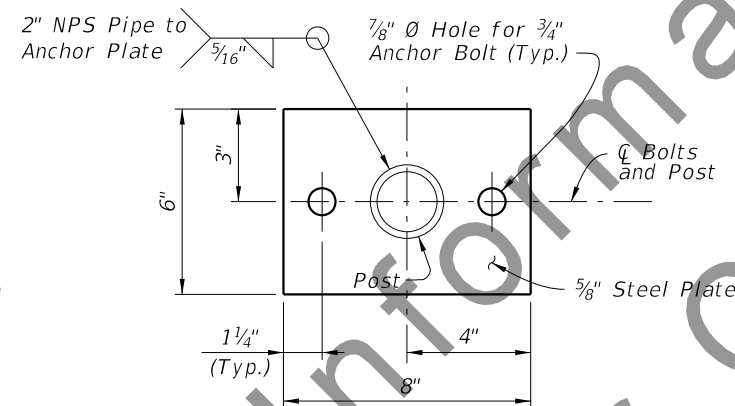
OPTION 2 - NEW CONSTRUCTION SECTION WITHOUT UTILITY STRIP



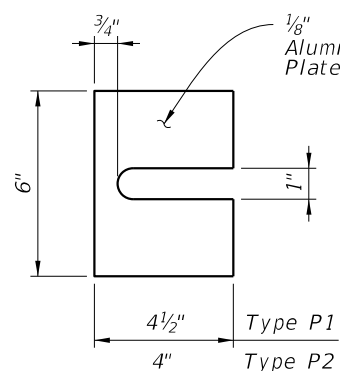
OPTION 3 - NEW OR EXISTING SIDEWALK SHALLOW CONCRETE FOUNDATION



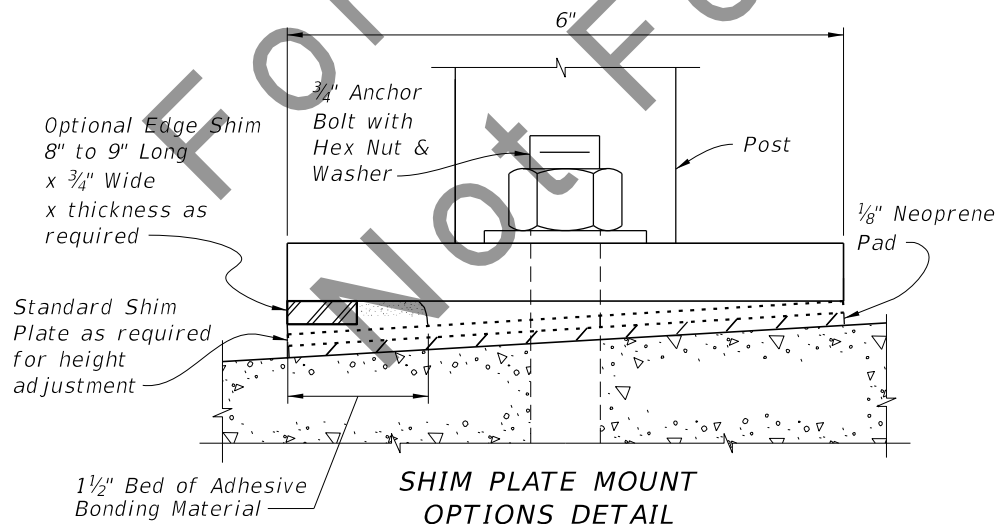
TYPE P1 FENCE ANCHOR PLATE DETAIL



TYPE P2 FENCE ANCHOR PLATE DETAIL



STANDARD SHIM PLATE DETAIL



SHIM PLATE MOUNT OPTIONS DETAIL

NOTES:

- SIDEWALK MOUNTS:** For direct mounts of fencing to sidewalk, use either Option 1 or Option 2 for conditions with or without a utility strip, respectively.
For Fence Type P1, do not use Mount Sleeves and change 3" NPS Pipe length per Note 6 of Sheet 2.
For Fence Type P2, adjust post length to a nominal 4'-5 1/2"
- ANCHOR PLATES:** Use anchor plates shown with the corresponding fence types on Sheet 2 and 3. Use galvanized steel anchor plates in accordance with ASTM A36.
- SHIM PLATES:** Use aluminum shim plates in accordance with ASTM B209 or B221, Alloy 6061 or 6063. Use shim plates for foundation height adjustments greater than 1/4" and localized irregularities greater than 1/8". Field trim shim plates when necessary to match sidewalk contours. Beveled plates may be used in place of flat plates shown. Stacked plates must be bonded together with adhesive bonding material meeting the requirements of Specification 937. Increase bolt length to accommodate shims where required.
- NEOPRENE PADS:** Use 1/8" thick Neoprene Pads, matching the plan dimensions of the Anchor Plate. Place between the sidewalk and Anchor Plate. Use Neoprene Pads in accordance with Specification 932, except that testing of the finished pads is not required.
- ANCHOR BOLTS:**
Use galvanized steel anchor bolts with either of the following options:
(a) 3/4" Bolt, Headed: 11" Length Cast-In-Place with 9" embedment
(b) 3/4" Bolt, Headless: 8 1/2" Length Adhesive Anchors with 6 1/2" embedment, threaded full length, using drilled holes and an Adhesive Material System in accordance with Specifications 416 and 937

Use Anchor Bolts in accordance with ASTM F1554 Grade 36. Use anchor bolts with single self-locking hex nuts. Tack welding of the nut to the anchor bolt may be used in place of self-locking nuts. Use nuts in accordance with ASTM A563 or ASTM A194. Use flat washers in accordance with ASTM F436. After the nuts have been tightened, distort the anchor bolt threads to prevent removal of the nuts. Galvanize distorted threads and tack welds in accordance with the Specification 561.
- SHALLOW CONCRETE FOUNDATION:** The Option 3 foundation may be used in place of foundations shown on Sheets 2 and 3 where adjacent concrete or asphalt structures overtop the soil within 1'-0" of the foundation edge shown for increased soil stability.
For Fence Type P1, reduce the Post Sleeve length shown on Sheet 2 by 3".
For Fence Type P2, reduce the post length given on Sheet 3 to 6'-4".

ADJACENT SIDEWALK MOUNTING OPTIONS

1/11/2024 9:47:03 AM

LAST REVISION 10/11/22	DESCRIPTION:		DEVELOPMENTAL STANDARD PLANS	PEDESTRIAN CHANNELIZATION BARRIER	INDEX	SHEET
					D550-804	4 of 5

