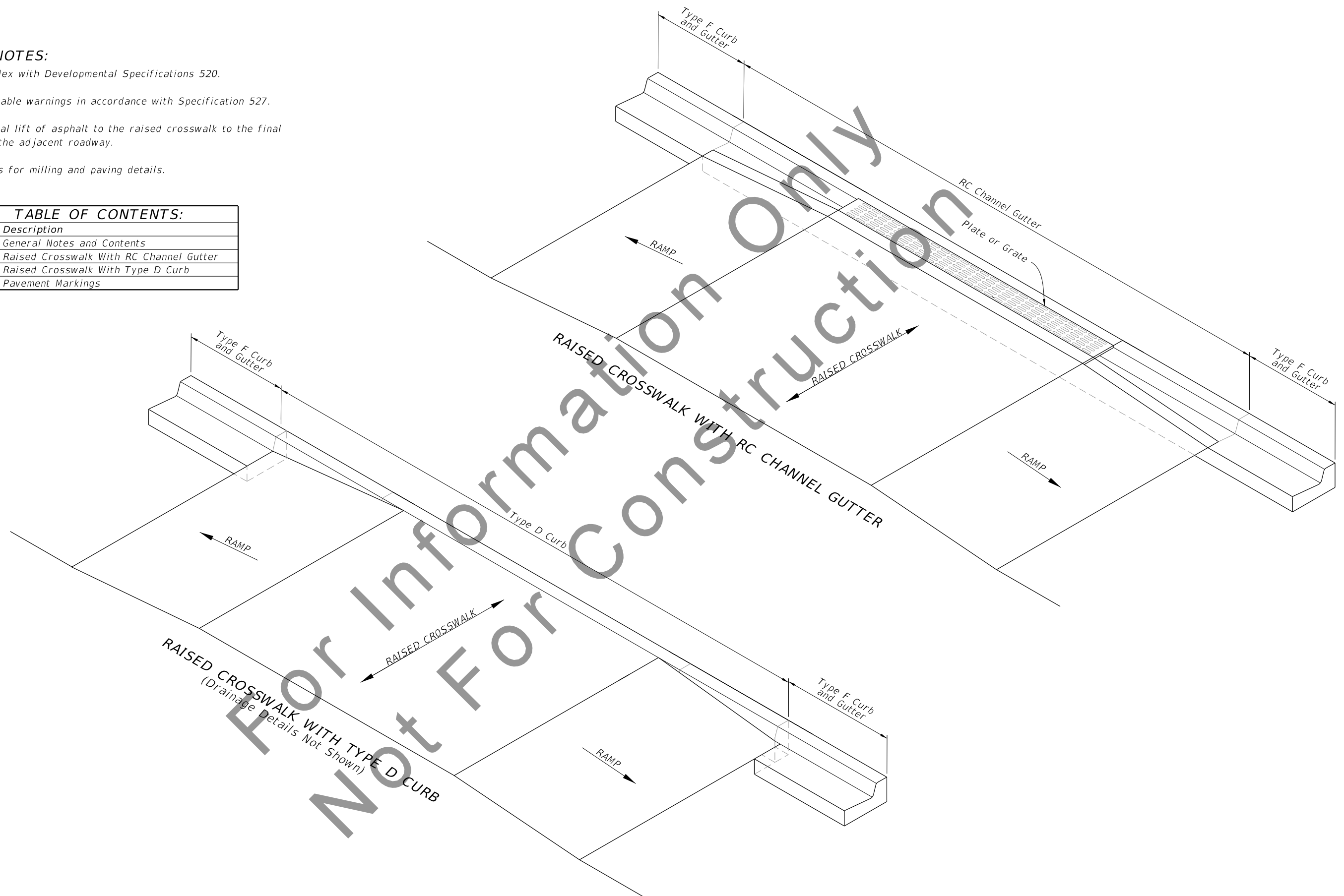



GENERAL NOTES:

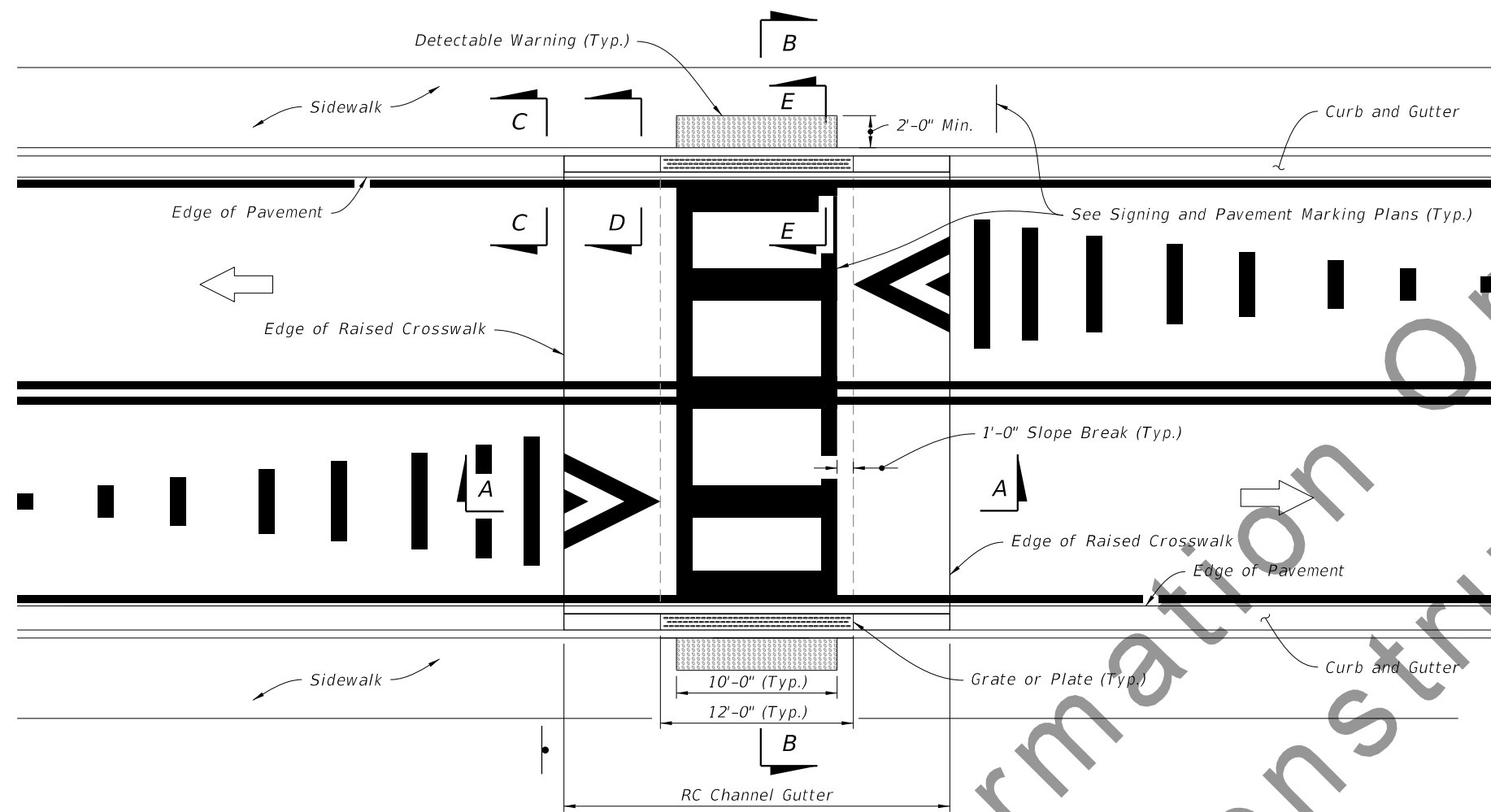
1. Work this Index with Developmental Specifications 520.
2. Install detectable warnings in accordance with Specification 527.
3. Match the final lift of asphalt to the raised crosswalk to the final lift used on the adjacent roadway.
4. See the Plans for milling and paving details.

TABLE OF CONTENTS:	
Sheet	Description
1	General Notes and Contents
2	Raised Crosswalk With RC Channel Gutter
3	Raised Crosswalk With Type D Curb
4	Pavement Markings

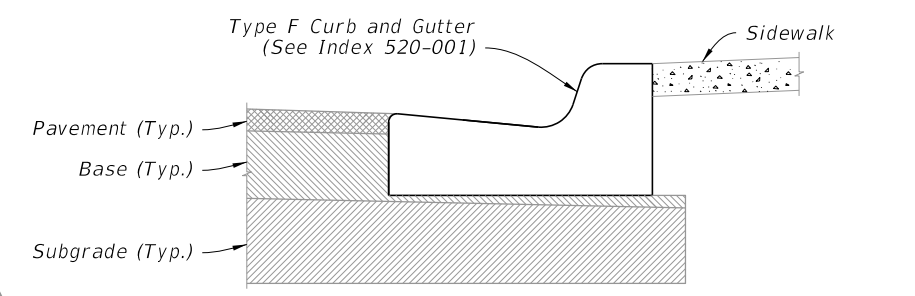


12/20/2024 2:48:36 PM

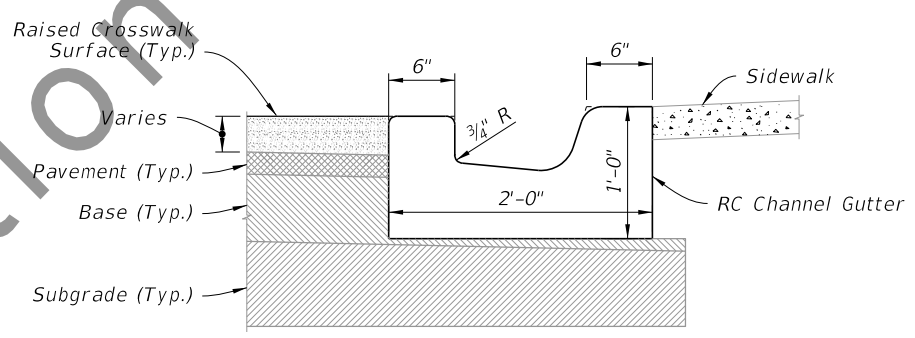
LAST REVISION 09/01/20	REVISION	DESCRIPTION:	 DEVELOPMENTAL STANDARD PLANS	RAISED CROSSWALK	INDEX D520-030	SHEET 1 of 4
---------------------------	----------	--------------	---	-------------------------	-------------------	-----------------



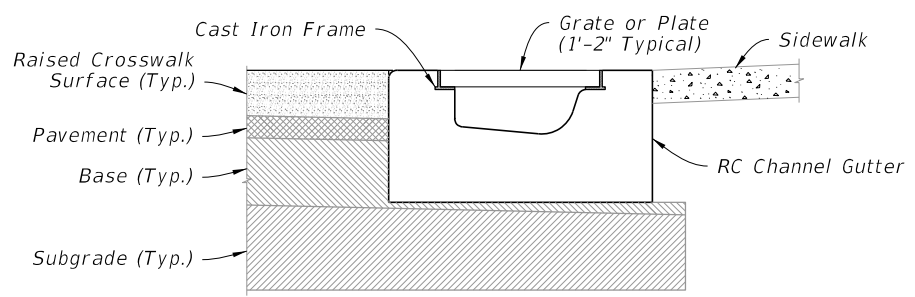
TYPE OF RAISED CROSSWALK	DESIGN SPEED (MPH)	SLOPE "S"
TYPE I	25	1:12
TYPE II	30 - 35	1:20



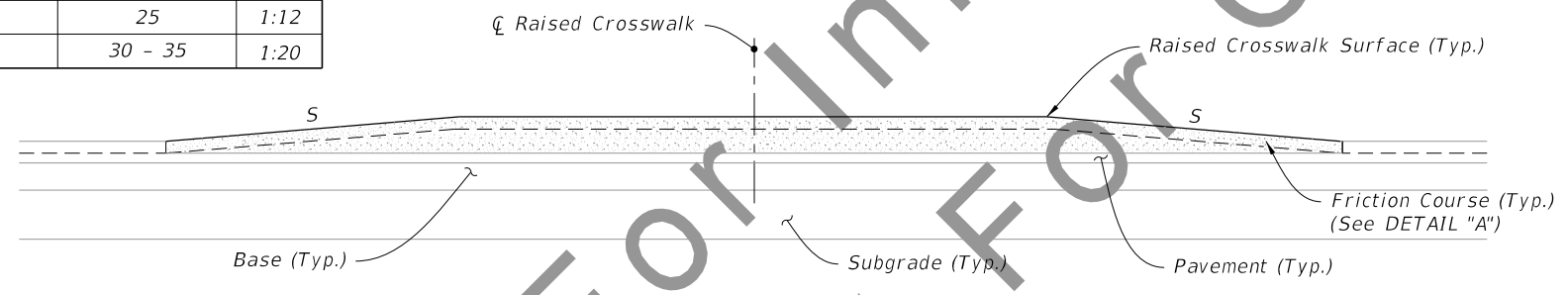
SECTION C-C



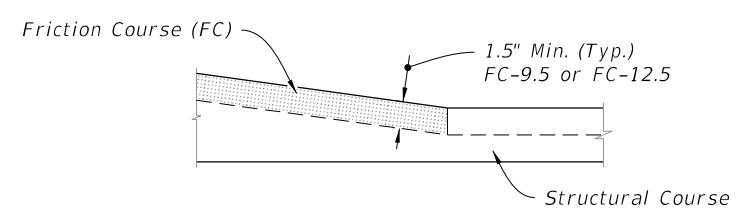
SECTION D-D



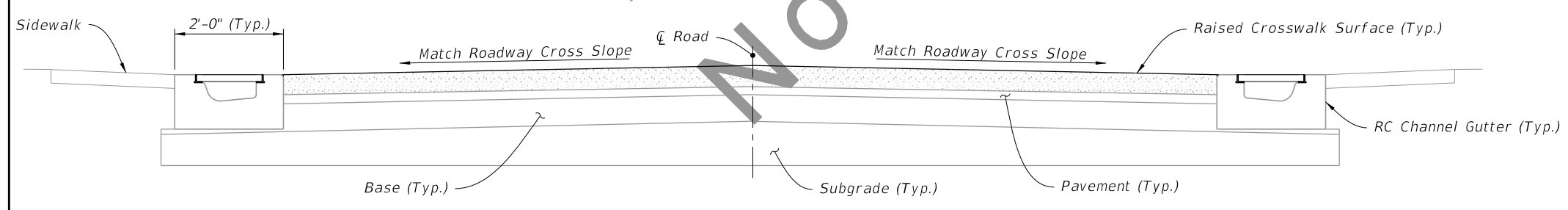
SECTION E-E



SECTION A-A



DETAIL "A"



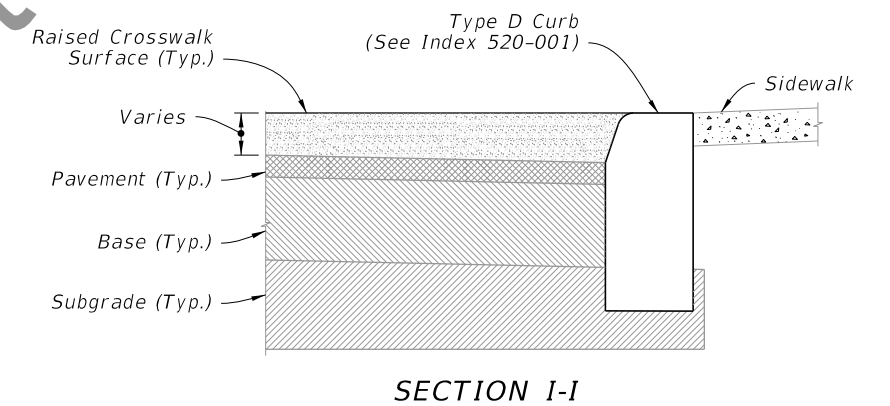
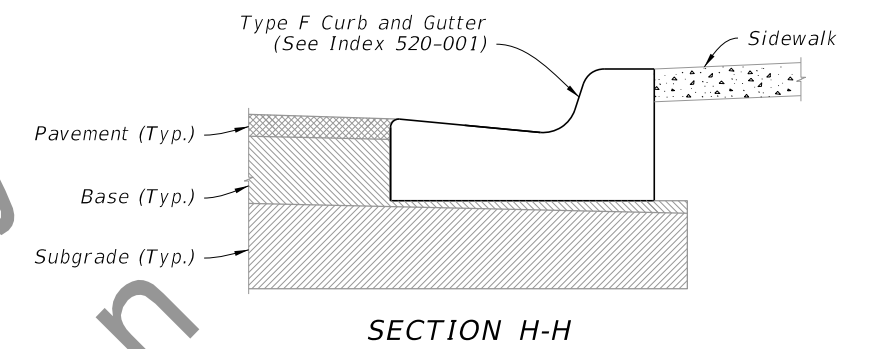
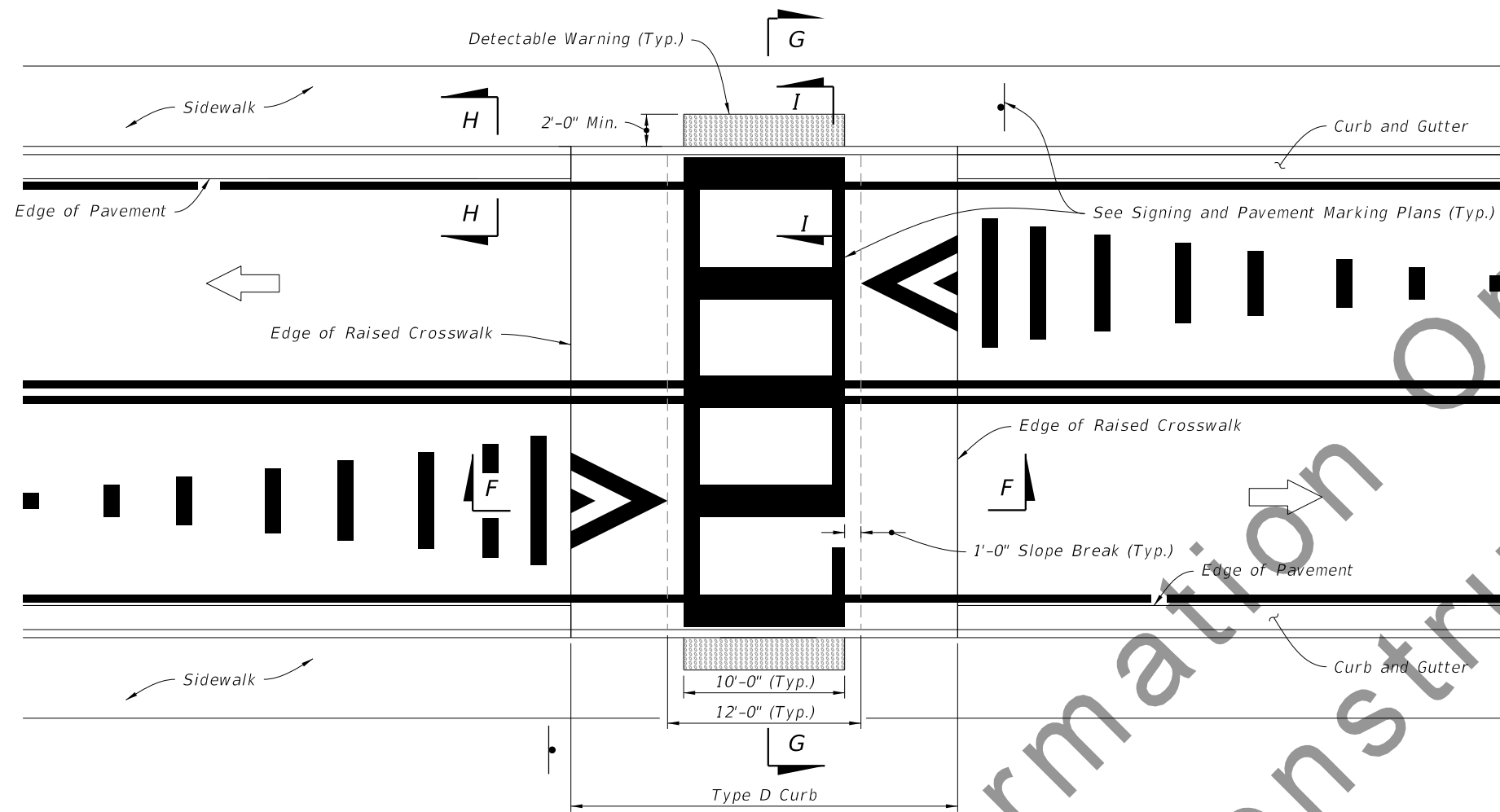
SECTION B-B

- SYMBOLS:**
- Direction of Traffic
 - Sign and Column

RAISED CROSSWALK WITH RC CHANNEL GUTTER

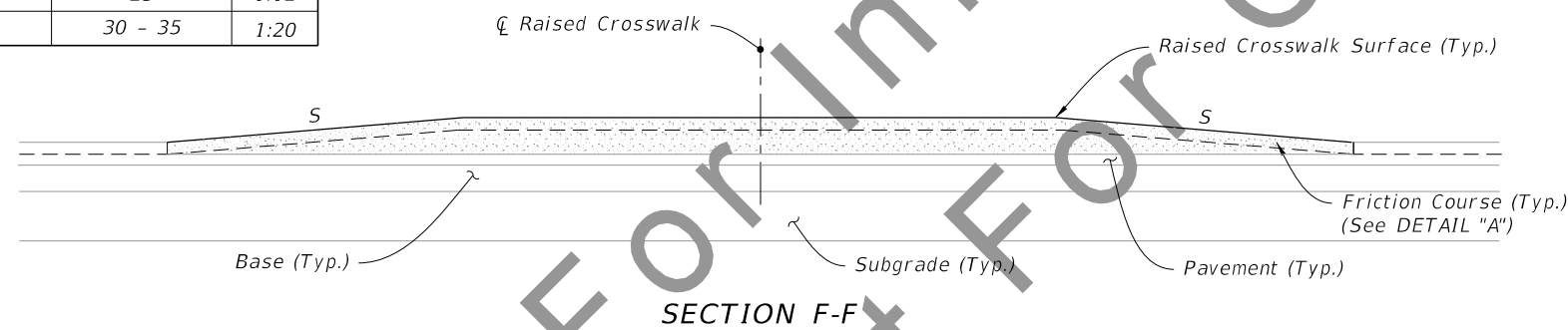
12/20/2024 2:48:45 PM

LAST REVISION 12/20/24	REVISION	DESCRIPTION:		DEVELOPMENTAL STANDARD PLANS	RAISED CROSSWALK	INDEX D520-030	SHEET 2 of 4
---------------------------	----------	--------------	--	---------------------------------	------------------	-------------------	-----------------

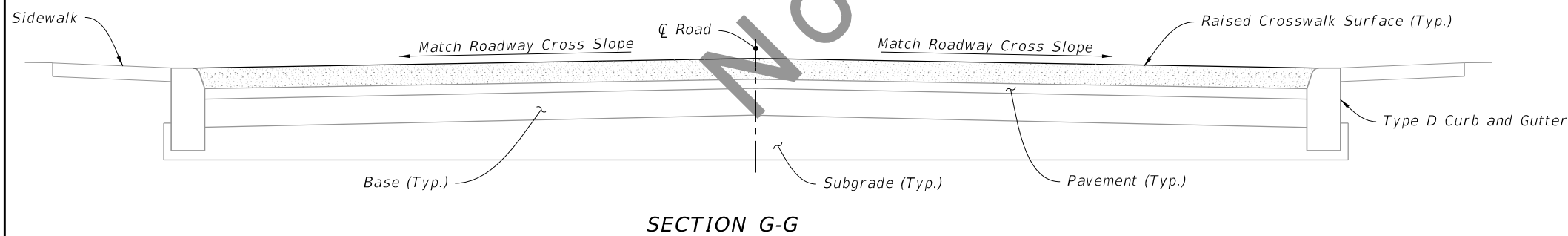


TYPE OF RAISED CROSSWALK	DESIGN SPEED (MPH)	SLOPE "S"
TYPE I	25	1:12
TYPE II	30 - 35	1:20

PLAN



SECTION F-F



SECTION G-G

SYMBOLS:

- Direction of Traffic
- Sign and Column

RAISED CROSSWALK WITH TYPE D CURB

12/20/2024 2:48:57 PM

LAST REVISION 12/20/24	REVISION	DESCRIPTION:
---------------------------	----------	--------------



DEVELOPMENTAL
STANDARD PLANS

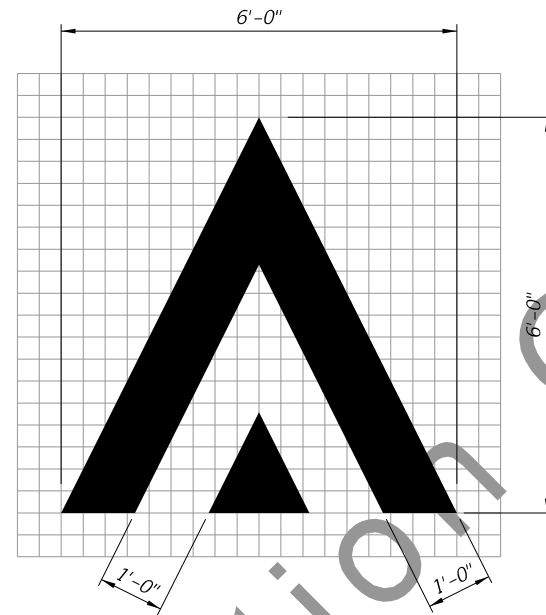
RAISED CROSSWALK

INDEX
D520-030

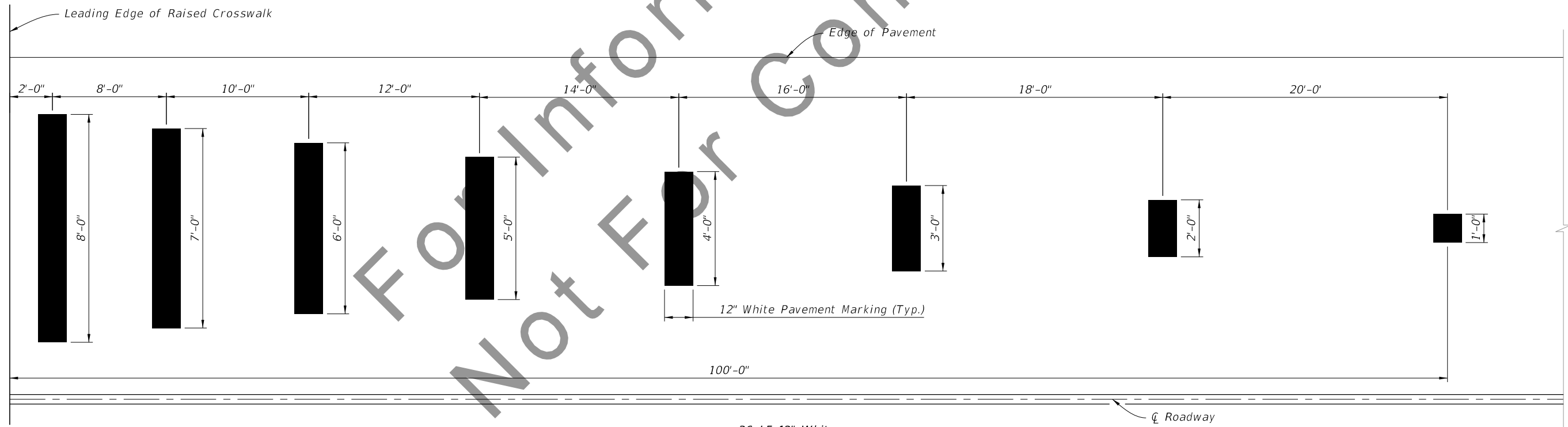
SHEET
3 of 4

NOTE:

Only install advance warning marking when shown in Plans.




12 S.F.
VERTICAL DEFLECTION MARKING



36 LF 12" White
VERTICAL DEFLECTION ADVANCE WARNING MARKING

12/20/2024 2:49:09 PM

PAVEMENT MARKINGS

LAST REVISION 09/01/20	REVISION	DESCRIPTION:		DEVELOPMENTAL STANDARD PLANS	RAISED CROSSWALK	INDEX D520-030	SHEET 4 of 4
---------------------------	----------	--------------	---	---------------------------------	------------------	-------------------	-----------------