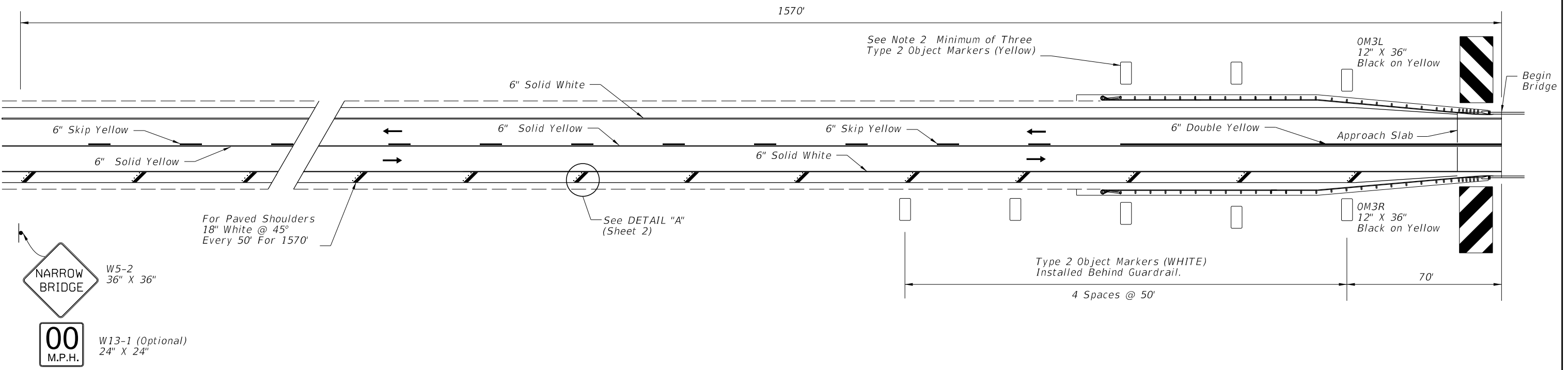



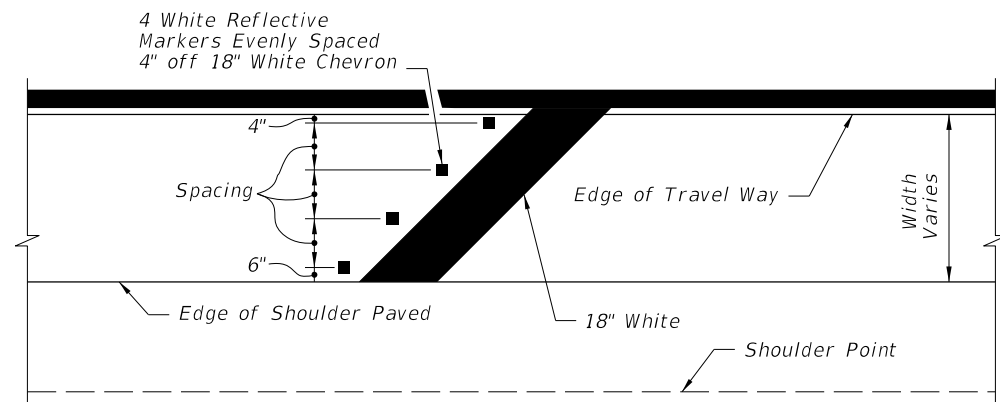
ONE-WAY TRAFFIC



2-WAY TRAFFIC

9/29/2025 8:05:40 AM

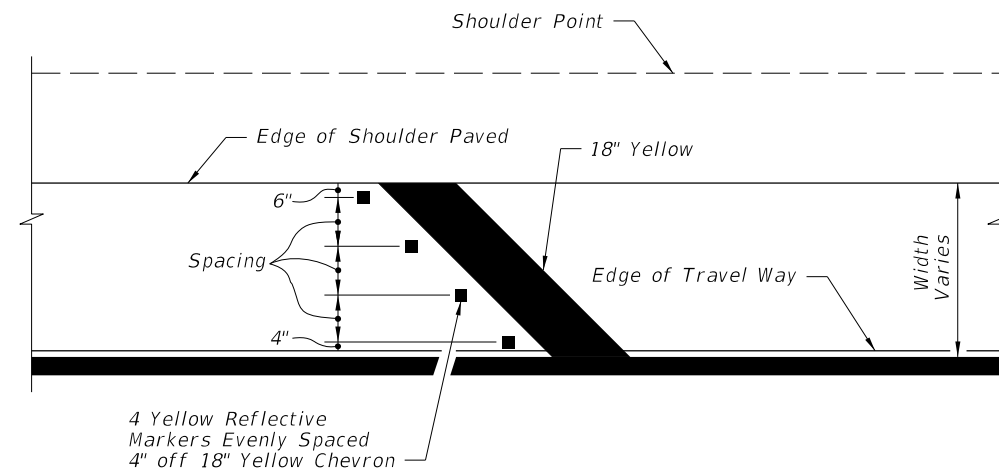
| | | | | | | | |
|---------------------------|----------|--------------|---|------------------------------|-------------------------------|------------------|-----------------|
| LAST REVISION 11/01/20 | REVISION | DESCRIPTION: |  | FY 2026-27 STANDARD PLANS | RURAL NARROW BRIDGE TREATMENT | INDEX 700-106 | SHEET 1 of 2 |
|---------------------------|----------|--------------|---|------------------------------|-------------------------------|------------------|-----------------|



Direction of Travel

Outside Shoulder

DETAIL "A"



Direction of Travel

Median Shoulder

DETAIL "B"

NOTES:

1. Roadways with Two-Way Traffic:
No passing zone should be extended 1570' in advance of narrow bridge.
2. If the bridge or the approach is on a curve, delineators shall be installed for a distance of 1570' in advance of narrow bridge on the outside portion of the roadway. Spacing shall be 100' between delineators. Delineators are to be placed not less than 2' or not more than 8' outside the outer edge of pavement.
3. Object markers and delineators on both sides of roadway shall face traffic approaching bridge
4. The OM-3R & OM-3L object markers shall be installed 4' above the roadway edge. The panels may be post mounted at the bridges.
5. Install Audible and Vibratory treatments (e.g., ground-in rumble strips or profiled thermoplastic) in accordance with the Plans.

| Shoulder Width | No. of RPM's | Spacing |
|----------------|--------------|---------|
| 2' | 2 | 14" |
| 3' | 3 | 13" |
| 4' | 3 | 19" |
| 5' | 4 | 16.67" |

9/29/2025 8:05:47 AM