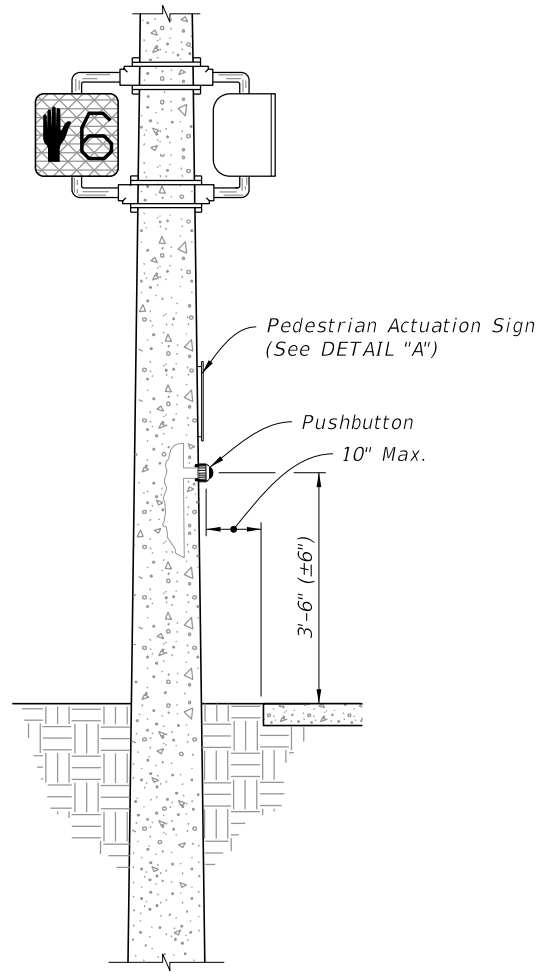
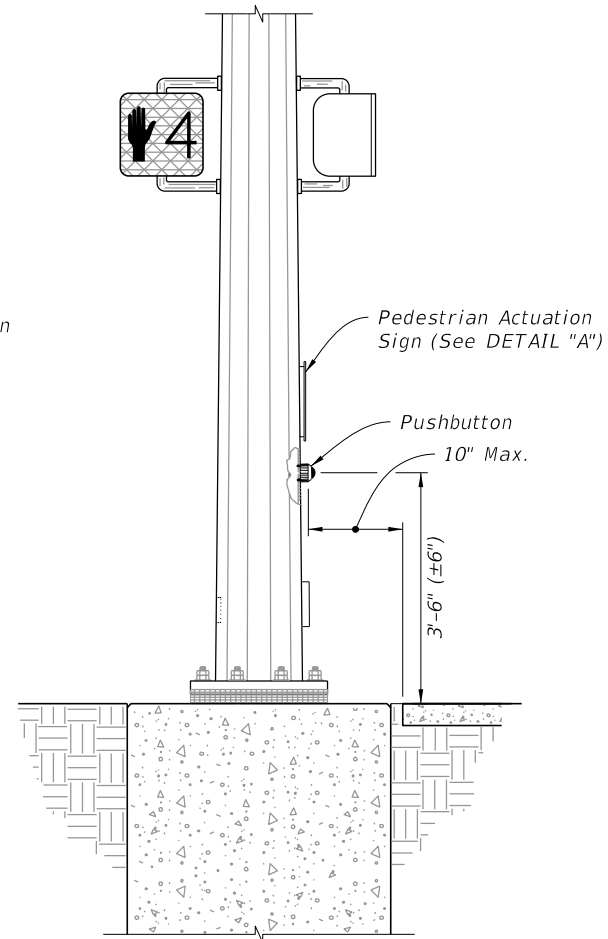


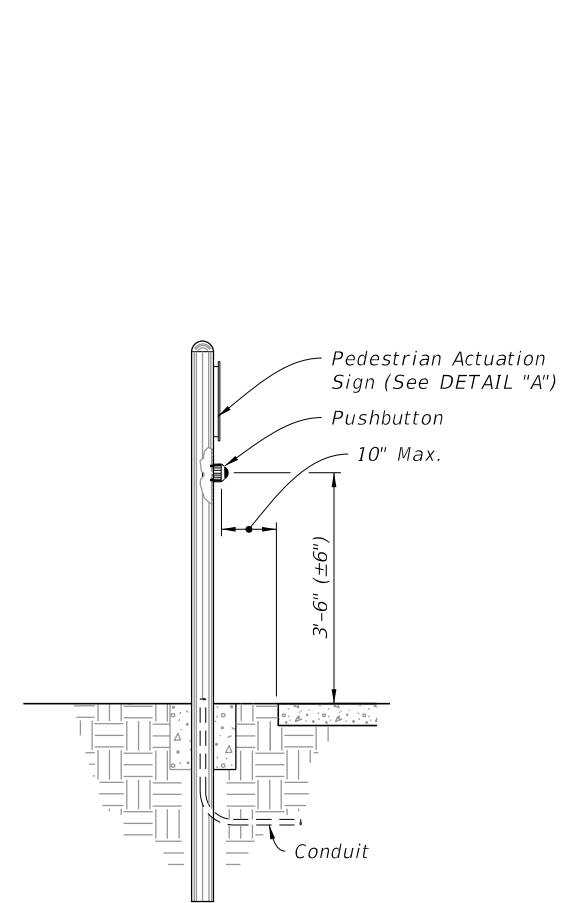
PRESTRESSED CONCRETE  
PEDESTAL POLE



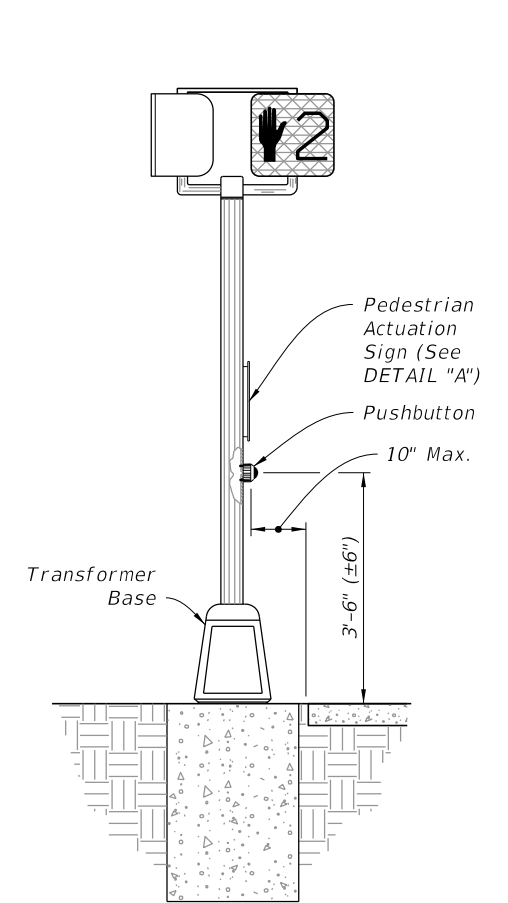
PRESTRESSED CONCRETE  
STRAIN POLE



STEEL STRAIN POLE

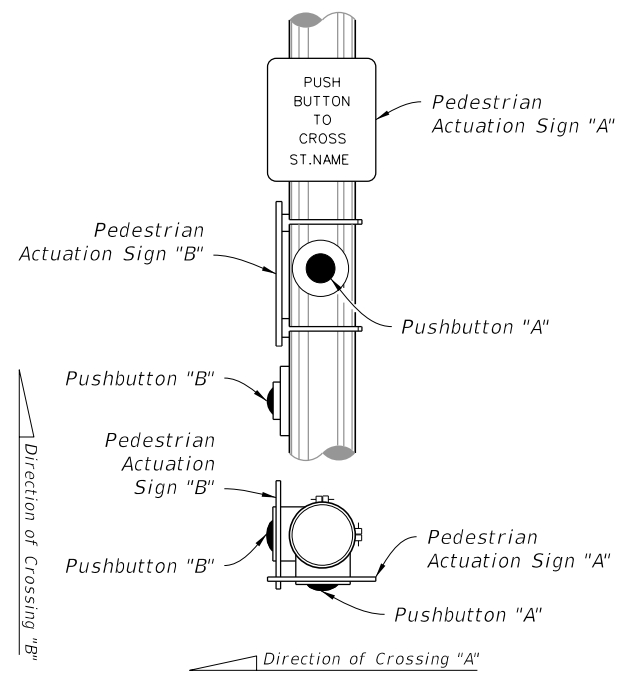


ALUMINUM POLE

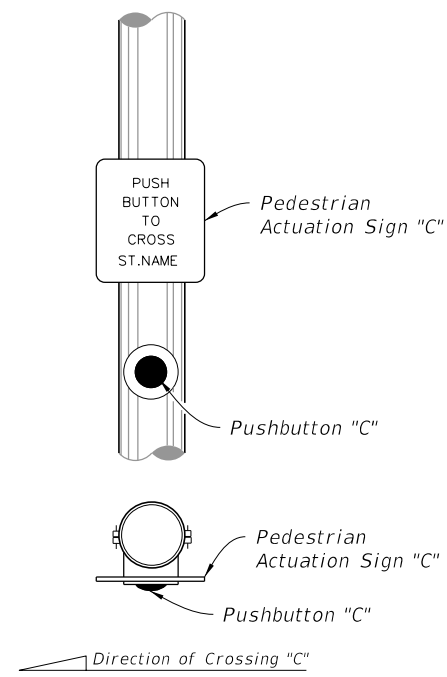


PEDESTAL

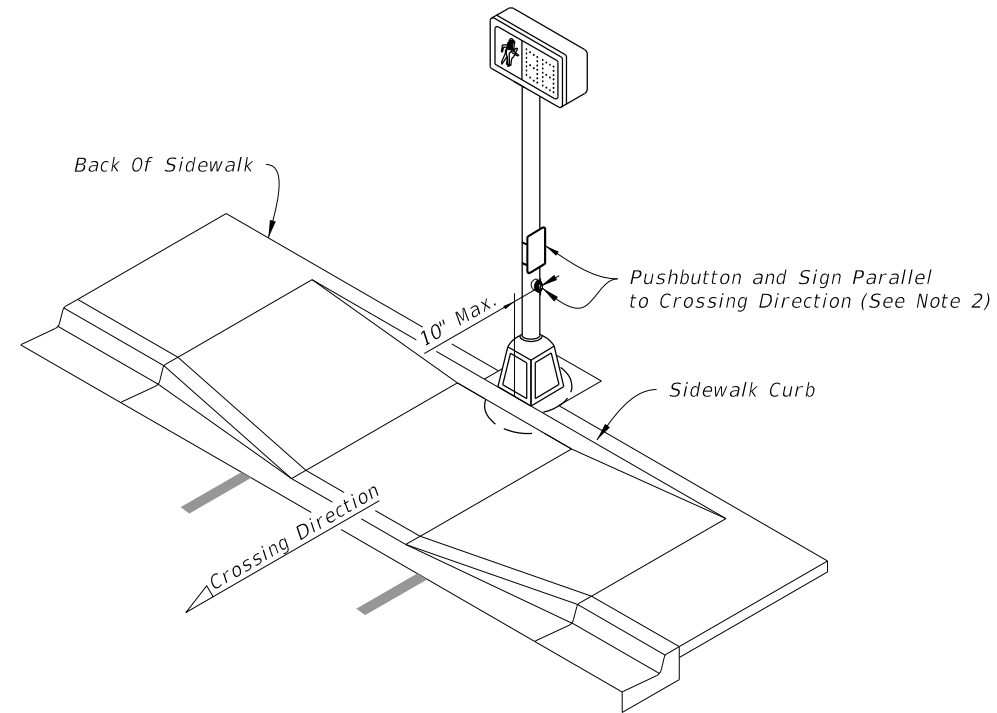
PUSHBUTTON PEDESTRIAN DETECTORS



DETAIL "A"



DETAIL "A"



DETAIL "B"

NOTES:

1. Mount Signs above the detectors. See Index 700-102 for sign details.
2. Install Pushbuttons and Pedestrian Actuation Signs with faces parallel to the crossing direction, see DETAIL "B".
3. Mount pushbuttons and Signs in accordance with Specification 665.
4. Pushbutton mounting height shown is taken at the center of the actuation switch.
5. for pedestrian control signal see index 653-001.
6. For Aluminum Pole and Pedestal supports see Index 646-001.

3:21:01 PM  
9/26/2025

LAST REVISION 11/01/20	DESCRIPTION:
---------------------------	--------------