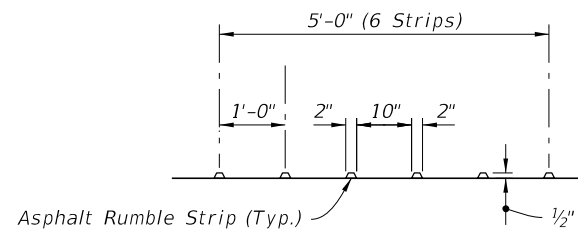
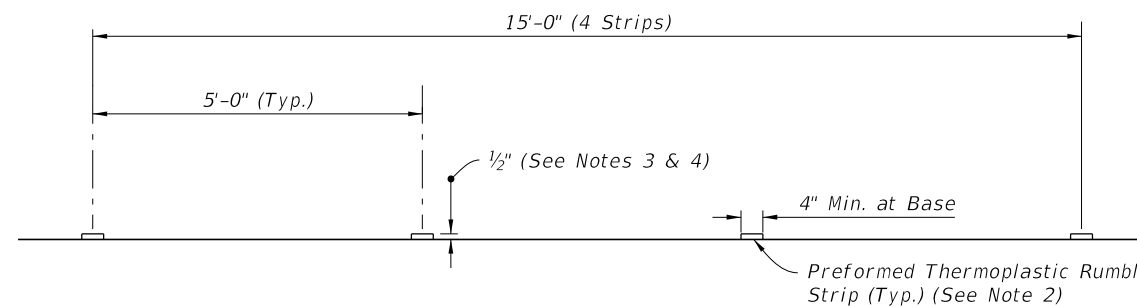


SPACING OF RAISED RUMBLE STRIP SETS AT INTERSECTIONS
(Preformed Thermoplastic Set Shown, Others Similar)

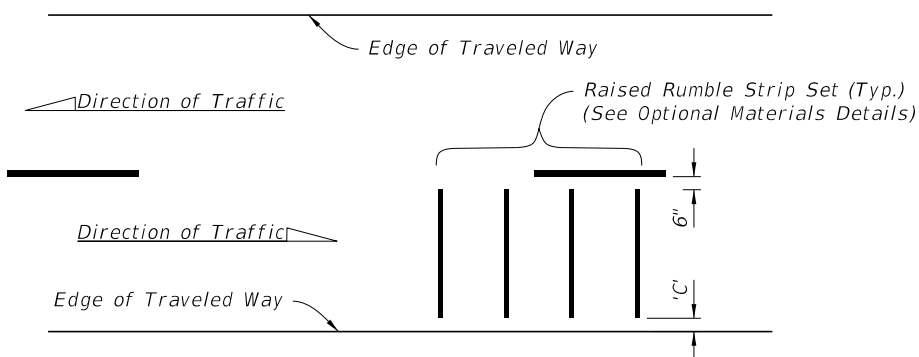
Posted Speed (mph)	'L' (Feet)
≤ 30	150
35	200
40	250
45	300
50	350
55	410
60	470
65	550



OPTION P1 - ASPHALT SET



OPTION P2 - PREFORMED THERMOPLASTIC SET



'C' = 6" For Roadways With Paved Shoulders
'C' = 1.5' For Roadways Without Paved Shoulders

DETAIL "A"

OPTIONAL MATERIALS DETAILS

NOTES:

1. Construct permanent raised rumble strips where shown in the Plans and in accordance with Specification 546.
2. Use colors white or black for preformed thermoplastic rumble strips.
3. Rectangular rumble strip shown as an example only; profile may vary in accordance with the manufacturer's design as shown in the Approved Products List (APL)
4. Total pre-installation height of product (as approved on the APL).

PERMANENT RAISED RUMBLE STRIPS

9/26/2025 2:46:31 PM

LAST REVISION 11/01/25	DESCRIPTION:
---------------------------	--------------

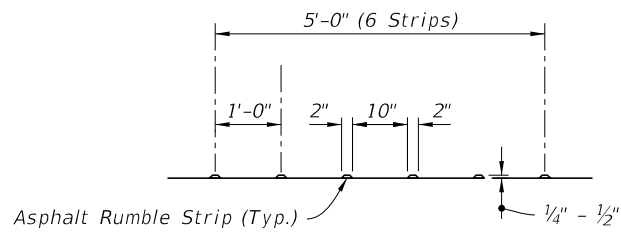


FY 2026-27
STANDARD PLANS

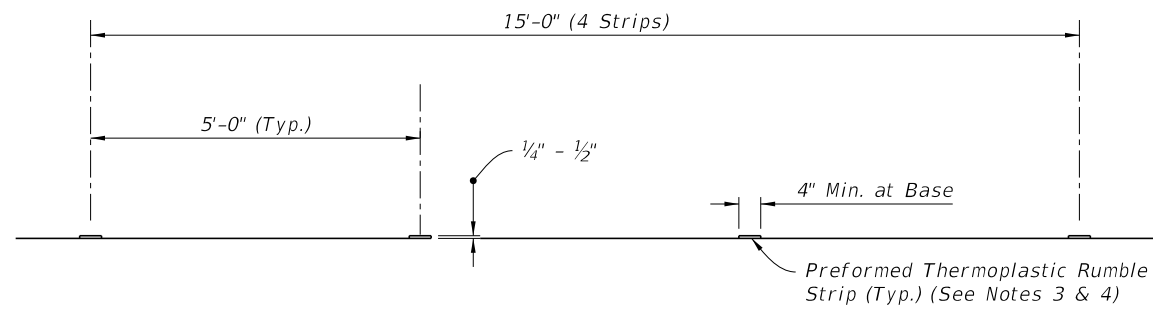
RAISED RUMBLE STRIPS

INDEX
546-001

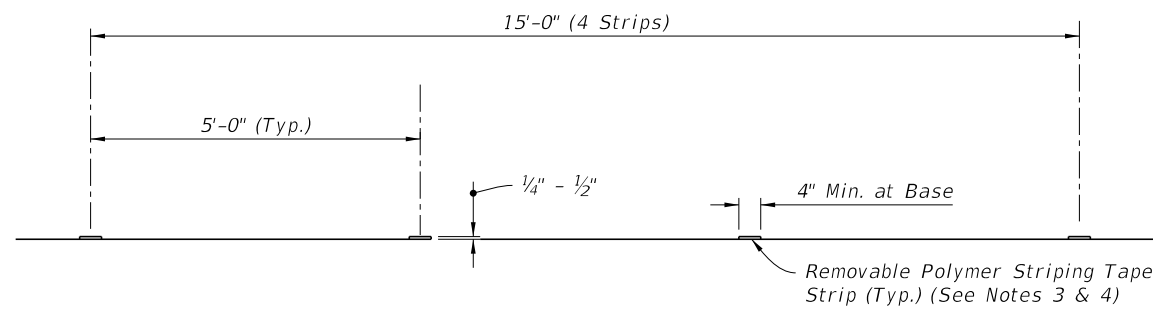
SHEET
1 of 2



OPTION ST1 - ASPHALT SET



OPTION ST2 - PREFORMED THERMOPLASTIC SET



OPTION ST3 - REMOVABLE POLYMER STRIPING TAPE SET


OPTIONAL MATERIALS DETAILS

NOTES:

1. Construct short-term raised rumble strips where noted in the Plans and in accordance with Specification 546.
2. See Sheet 1 for placement and additional details.
3. Use colors white or black for Preformed Thermoplastic and Removable Polymer Striping Tape Sets.
4. The rectangular rumble strip shown is an example only; profile may vary in accordance with the manufacturer's design as shown in the APL.

SHORT-TERM RAISED RUMBLE STRIPS

9/26/2025 2:46:38 PM

LAST REVISION 11/01/25	REVISION	DESCRIPTION:	 FY 2026-27 STANDARD PLANS	RAISED RUMBLE STRIPS	INDEX 546-001	SHEET 2 of 2
---------------------------	----------	--------------	-----------------------------------------------------------------------------------------------------------------------	----------------------	------------------	-----------------