

GENERAL NOTES:

1. Cross Slopes and Grades:

- A. Sidewalk, ramp, and landing slopes (i.e. 0.02, 0.05, and 1:12) shown in this Index are maximums. With approval of the Engineer, provide the minimum feasible slope where the requirements cannot be met.
- B. Landings must have cross-slopes less than or equal to 0.02 in any direction.
- C. Maintain a single longitudinal slope along each side of the curb ramp. Ramp slopes are not required to exceed 15 feet in length.
- D. Joints permitted at the location of Slope Breaks. Otherwise locate joints in accordance with Index 522-001. No joints are permitted within the ramp portion of the Curb Ramp.

2. Curb, Curb and Gutter and/or Sidewalk:

- A. Refer to Index 522-001 for concrete thickness and sidewalk details.
- B. Remove any existing curb, curb and gutter, or sidewalk to the nearest joint beyond the curb transition or to the extent that no remaining section is less than 5 feet long.
- C. Width of Curb Ramp is 4'-0" minimum. Match sidewalk or Shared Use Path width as shown in the Plans.

3. Curb Ramp Alpha-Identification:

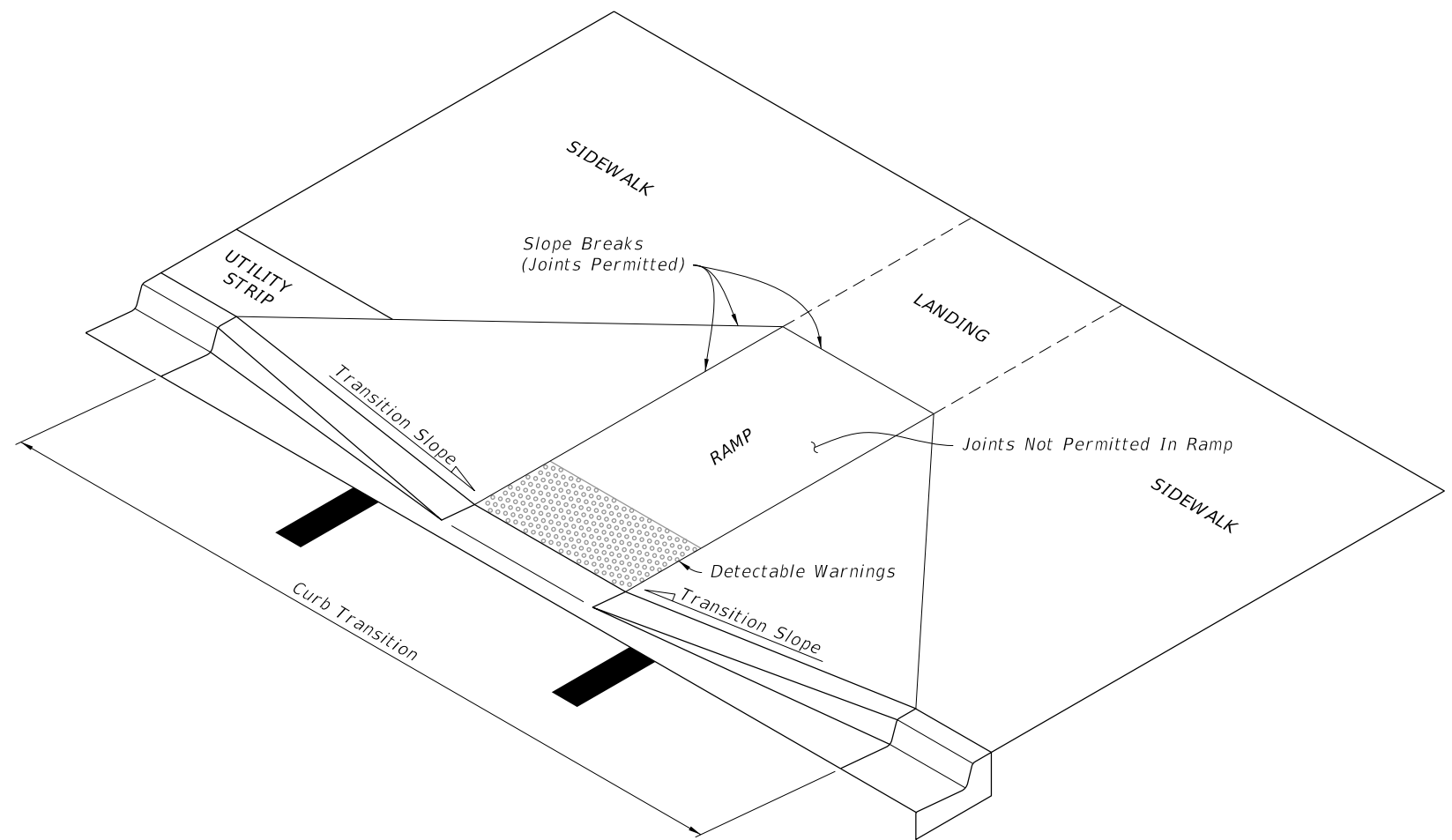
- A. Sidewalk curb ramp alpha-identifications (e.g. CR-A) are provided for reference purposes in the Plans.
- B. Alpha-identifications CR-I and CR-J are intentionally omitted.

4. Detectable Warnings:

- A. Install detectable warnings in accordance with Specification 527.
- B. Place detectable warnings across the full width of the ramp or landing, to a minimum depth of 2 feet measured perpendicular to the curb line and no greater than 5 feet from the back of the curb or edge of pavement.
- C. If detectable warnings are shown in the Plans on slopes greater than 5%, align the truncated domes with the centerline of the ramp; otherwise, the truncated domes are not required to be aligned.
- D. Where multiple ramps exist, a minimum 48" full-height curb separation is required between curb ramps.


5. Crosswalks

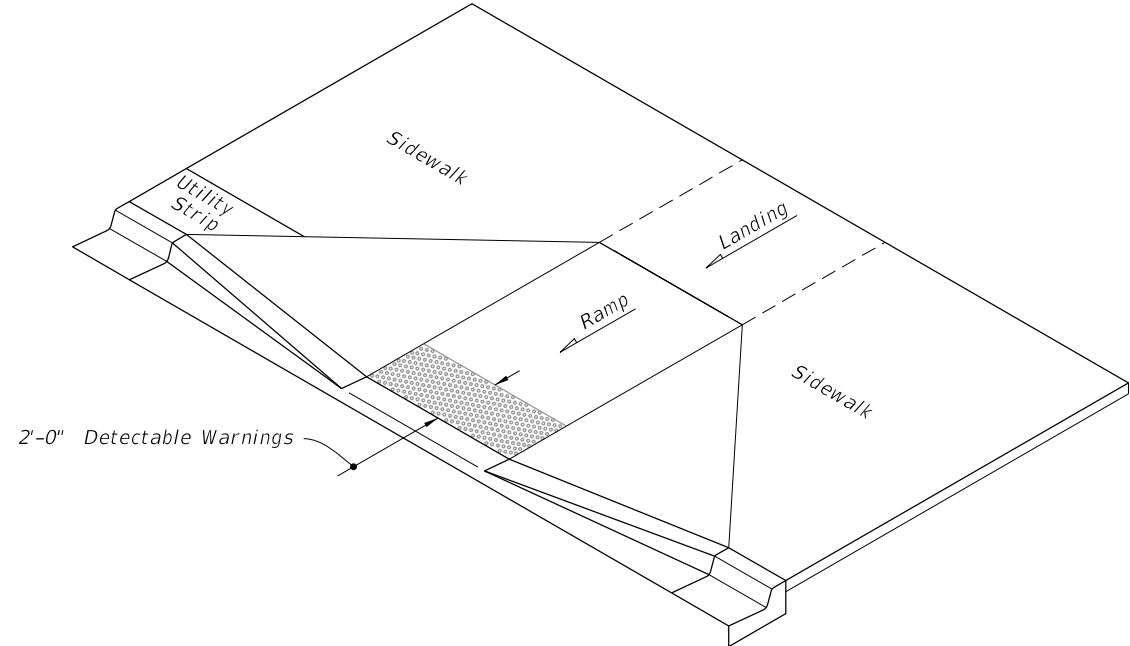
- A. Where crosswalk markings are used, ramps must fall within the crosswalk limits. A clear space of 48" minimum is required at the bottom of the ramp within a marked crosswalk. If crosswalk markings are not present, a clear space of 48" minimum is required at the bottom of the ramp outside of active travel lanes.
- B. Crosswalk widths and configurations vary; must conform to Index 711-001.



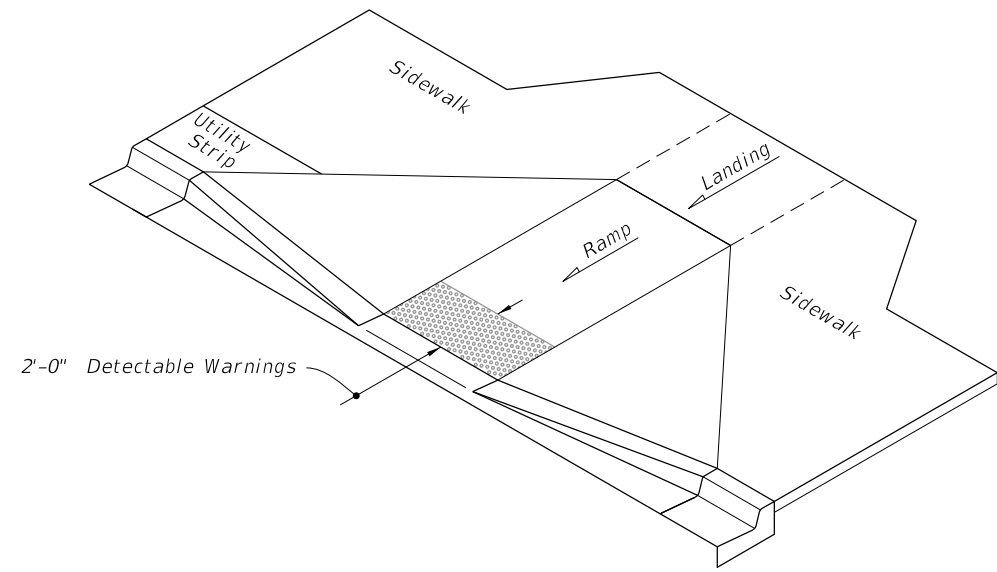
==== CURB RAMP NOMENCLATURE =====

10/15/2025 8:16:23 AM

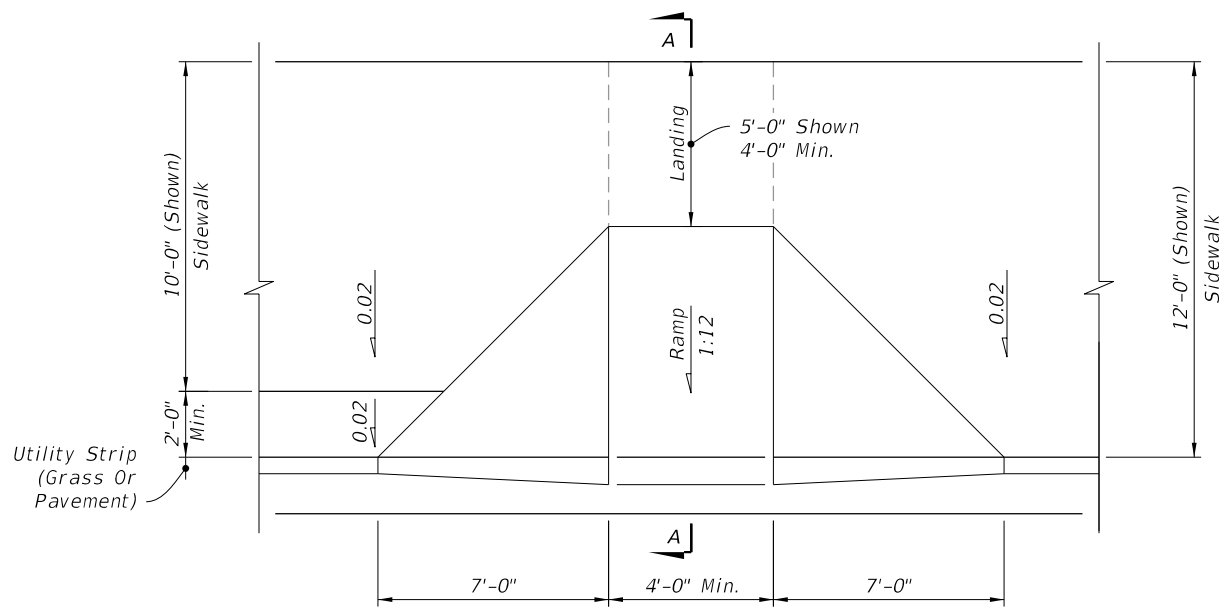
LAST REVISION 11/01/25	REVISION	DESCRIPTION:		FY 2026-27 STANDARD PLANS	DETECTABLE WARNINGS AND SIDEWALK CURB RAMPS	INDEX 522-002	SHEET 1 of 7
------------------------------	----------	--------------	---	------------------------------	---	------------------	-----------------



ISOMETRIC VIEW



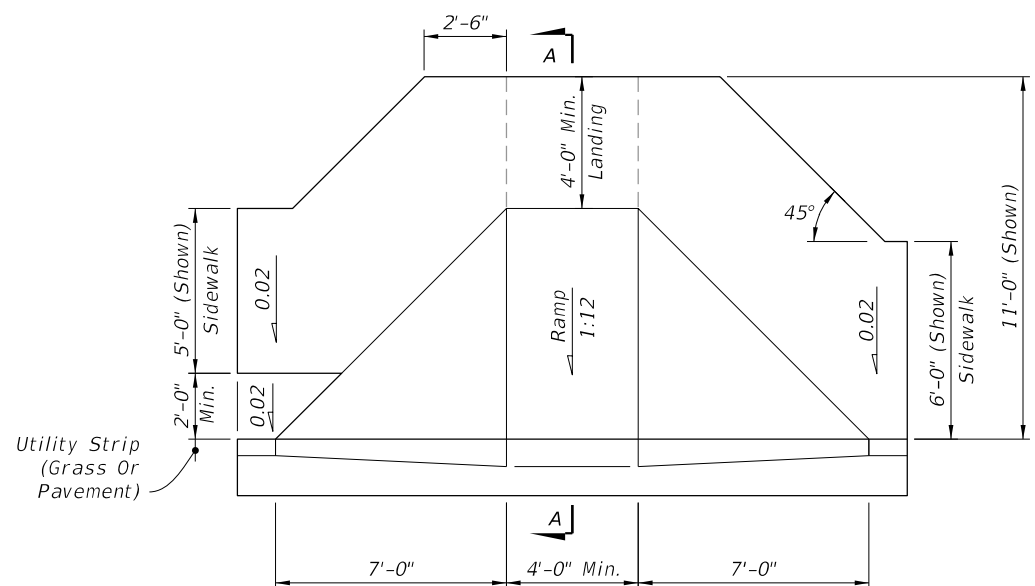
ISOMETRIC VIEW



PLAN VIEW

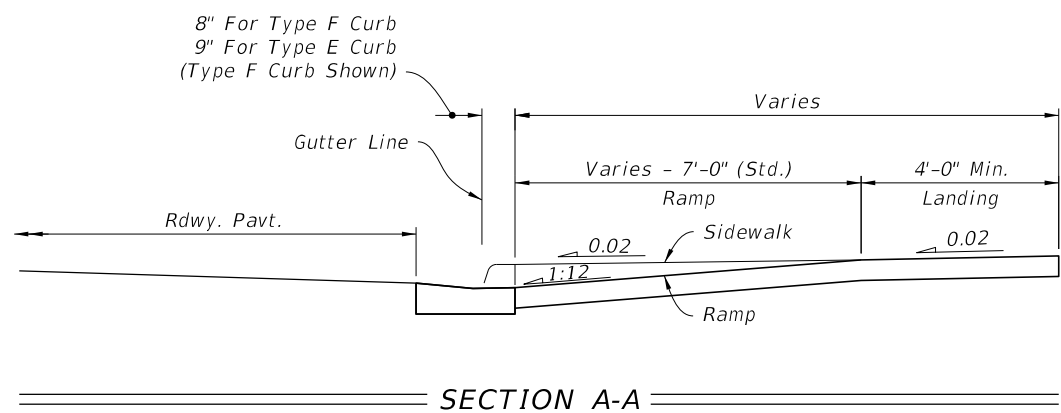
NOTE: For Example of CR-A used in Radial Curb Returns, See Sheet 7.

CR-A



PLAN VIEW

CR-B

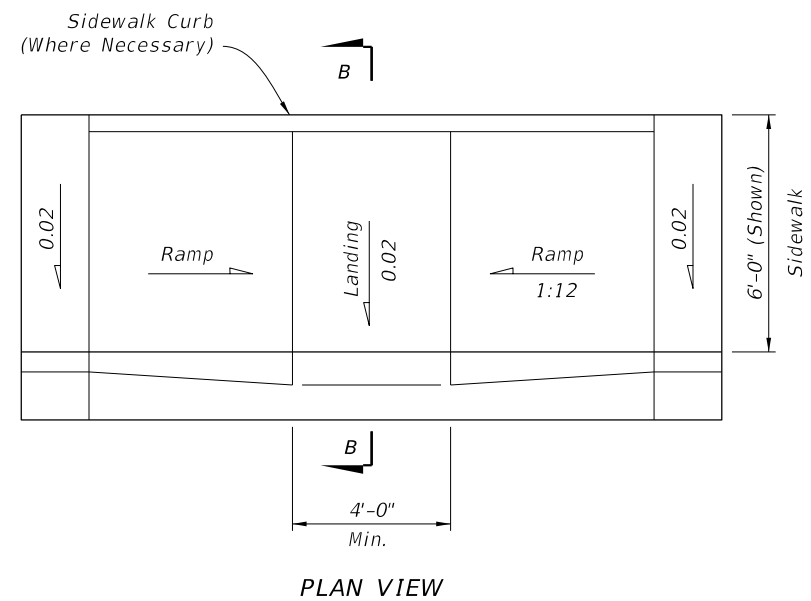


SECTION A-A

SIDEWALK CURB RAMPS CR-A AND CR-B

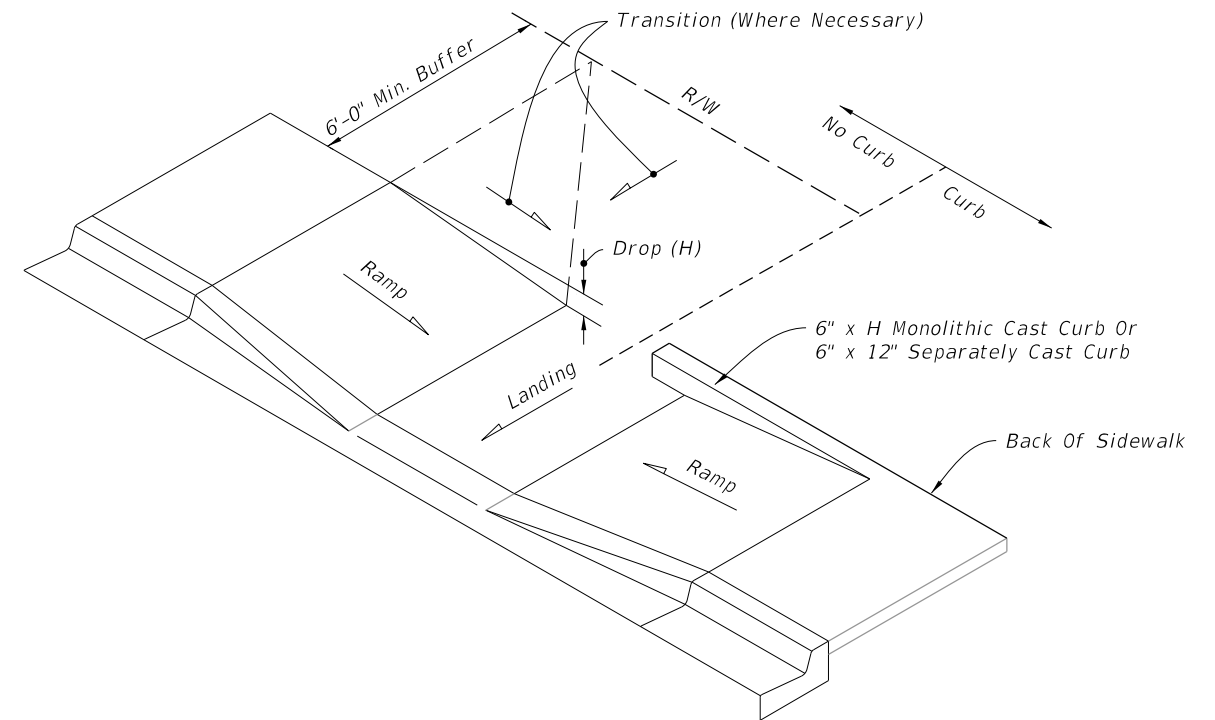
9/26/2025 1:56:32 PM

LAST REVISION 11/01/20	REVISION	DESCRIPTION:		FY 2026-27 STANDARD PLANS	DETECTABLE WARNINGS AND SIDEWALK CURB RAMPS	INDEX 522-002	SHEET 2 of 7
---------------------------	----------	--------------	--	------------------------------	---	------------------	-----------------

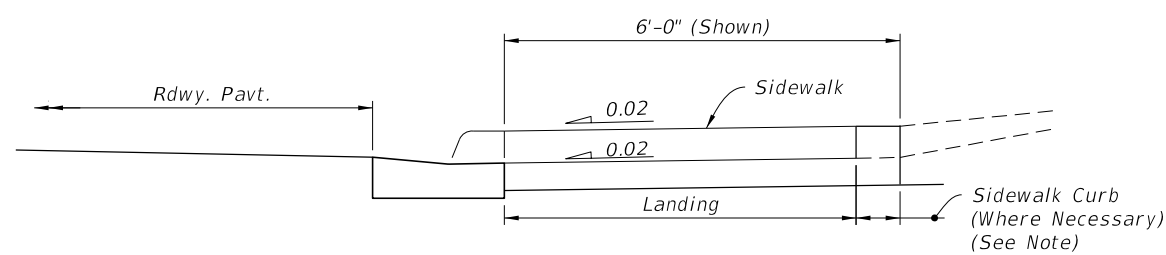


PLAN VIEW

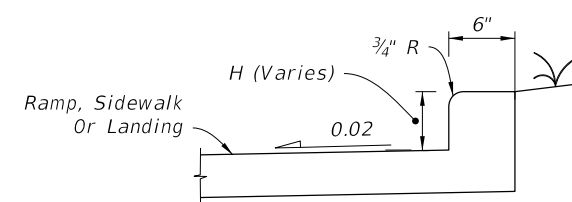
CR-C



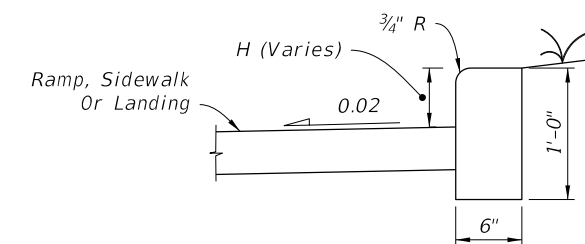
CONSTRUCTION OF SIDEWALK CURB IN CUT SECTIONS



SECTION B-B



MONOLITHIC CAST CURB



SEPARATELY CAST CURB

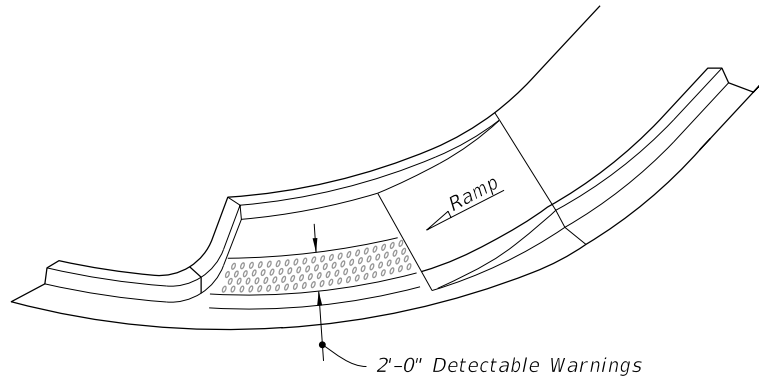
SIDEWALK CURB OPTIONS

NOTE: For additional information on sidewalk curb construction, see SIDEWALK CURB OPTIONS details.

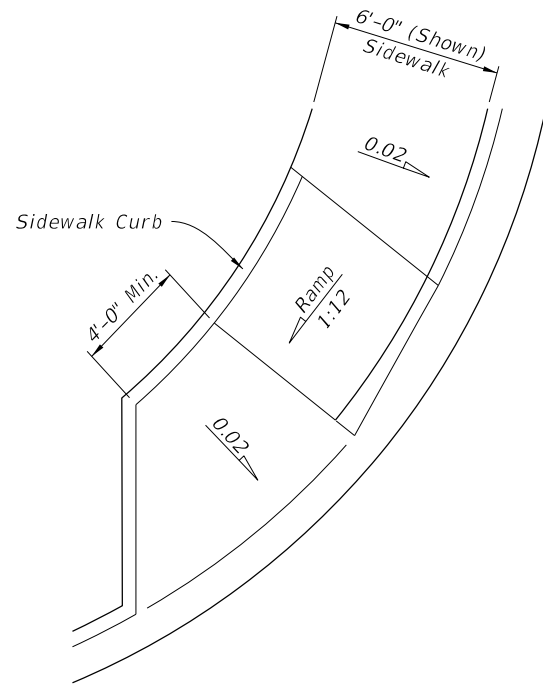
SIDEWALK CURB RAMPS CR-C AND SIDEWALK CURB

9/26/2025 1:56:38 PM

LAST REVISION 11/01/20	REVISION	DESCRIPTION:	 FY 2026-27 STANDARD PLANS	DETECTABLE WARNINGS AND SIDEWALK CURB RAMPS	INDEX 522-002	SHEET 3 of 7
---------------------------	----------	--------------	--	---	------------------	-----------------

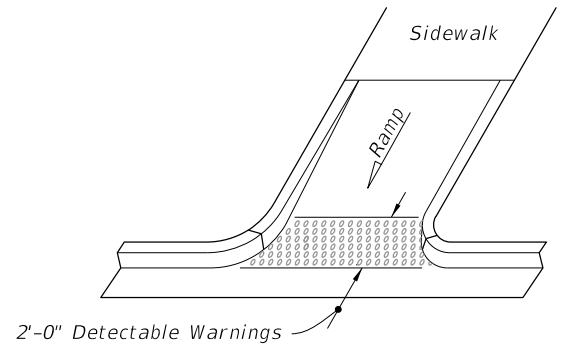


ISOMETRIC VIEW

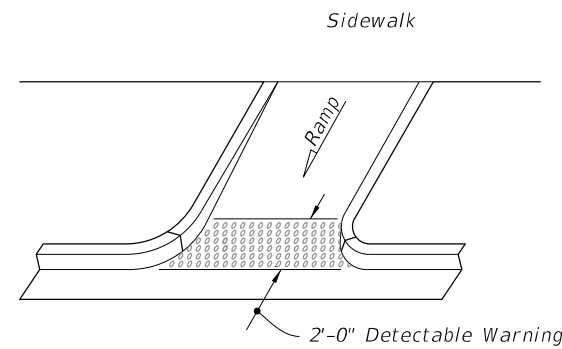


PLAN VIEW

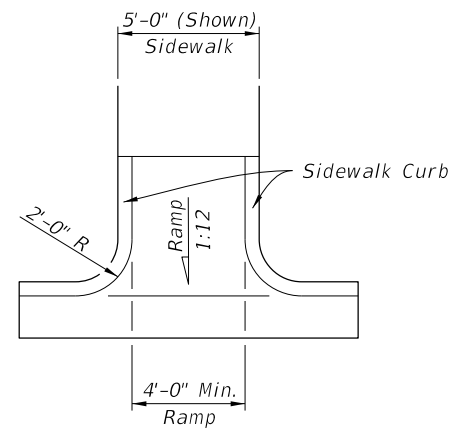
CR-D



OPTION A

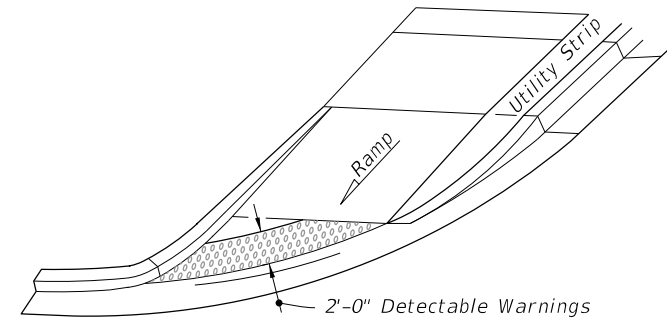


OPTION B
ISOMETRIC VIEW

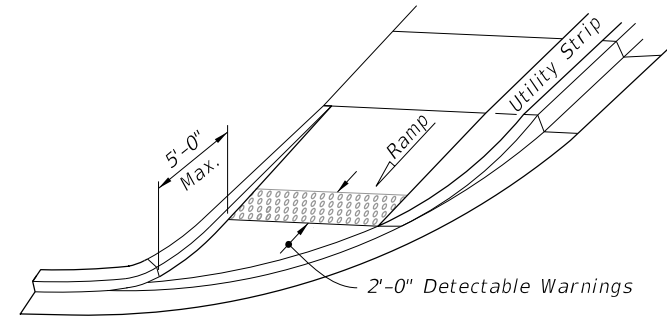


PLAN VIEW

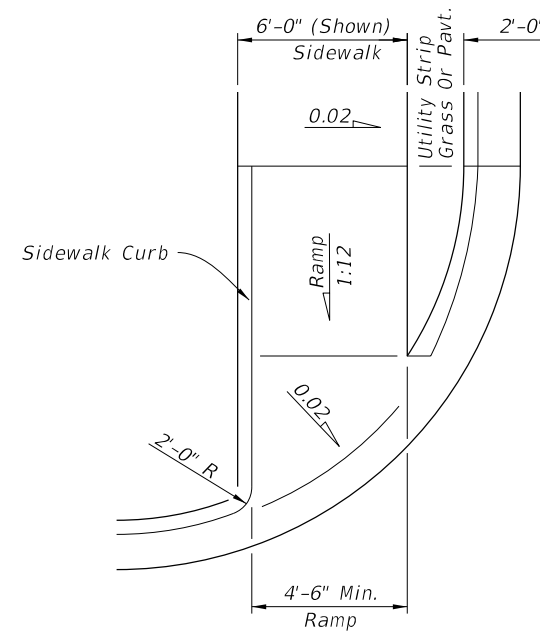
CR-E



OPTION A

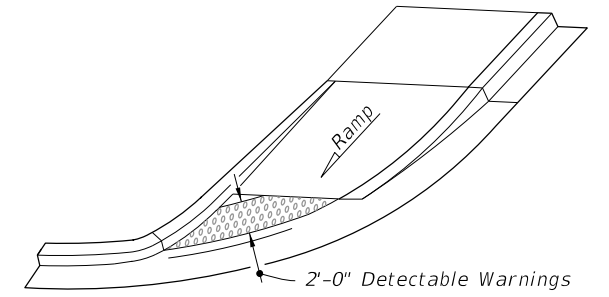


OPTION B
ISOMETRIC VIEW

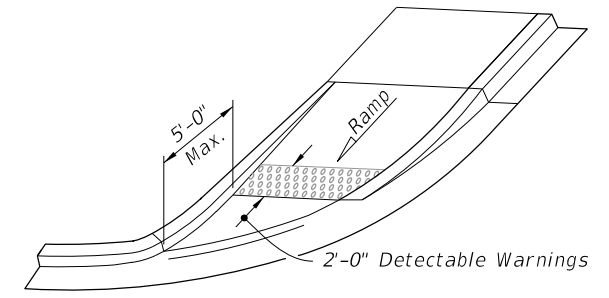


PLAN VIEW

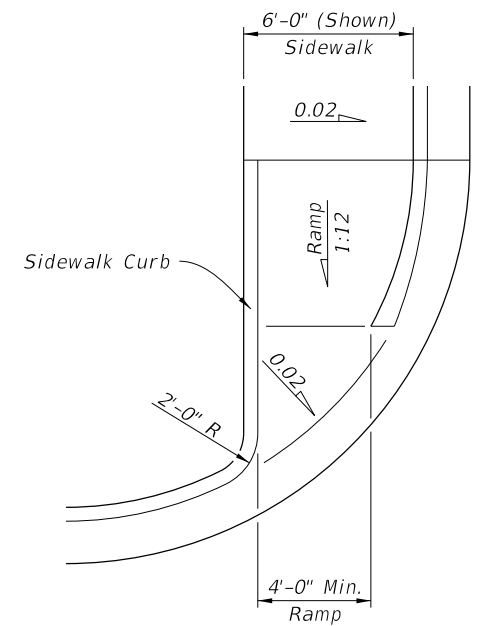
CR-F



OPTION A



OPTION B
ISOMETRIC VIEW



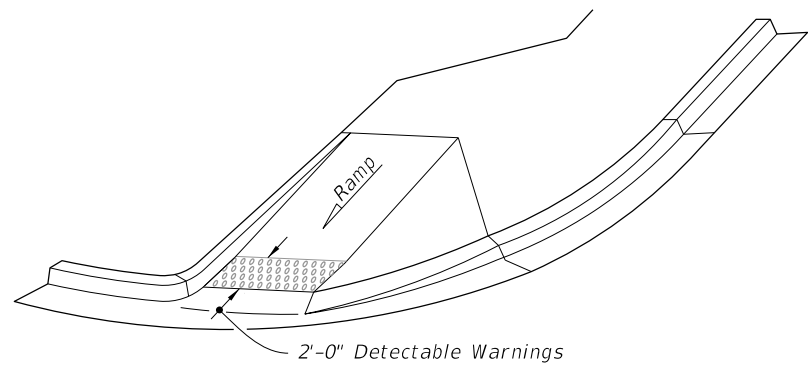
PLAN VIEW

CR-G

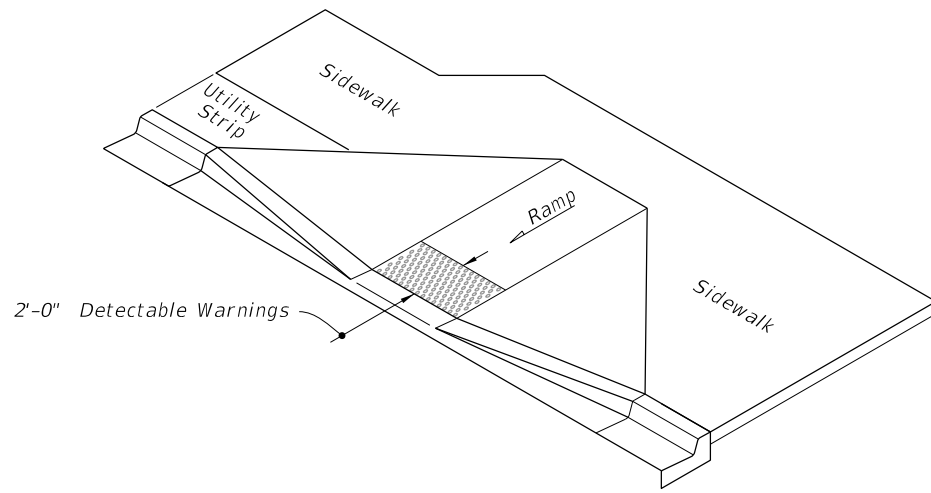
SIDEWALK CURB RAMPS CR-D, CR-E, CR-F & CR-G

9/26/2025 1:56:44 PM

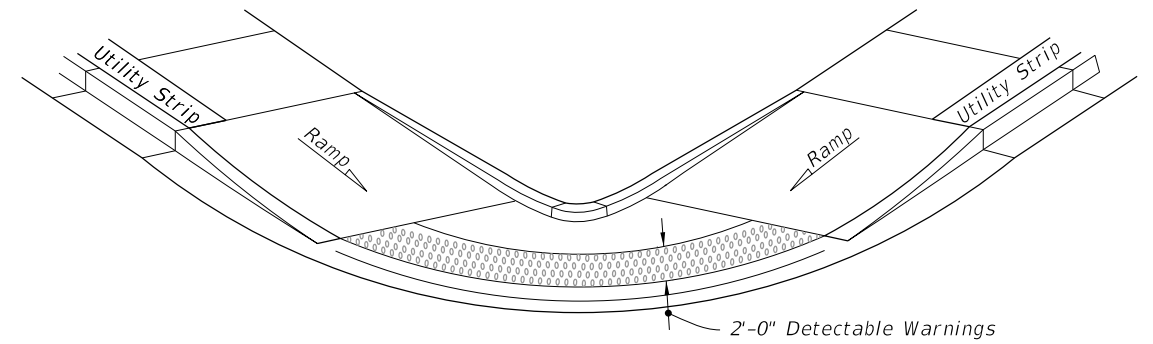
LAST REVISION 11/01/21	DESCRIPTION:
---------------------------	--------------



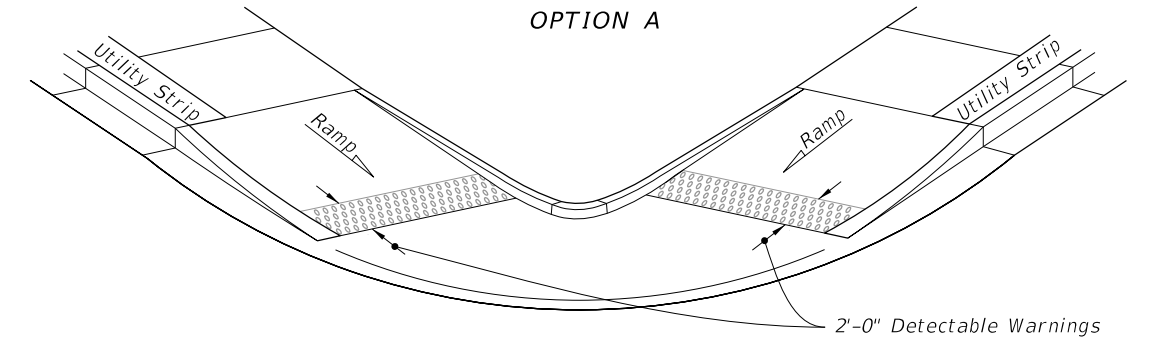
ISOMETRIC VIEW



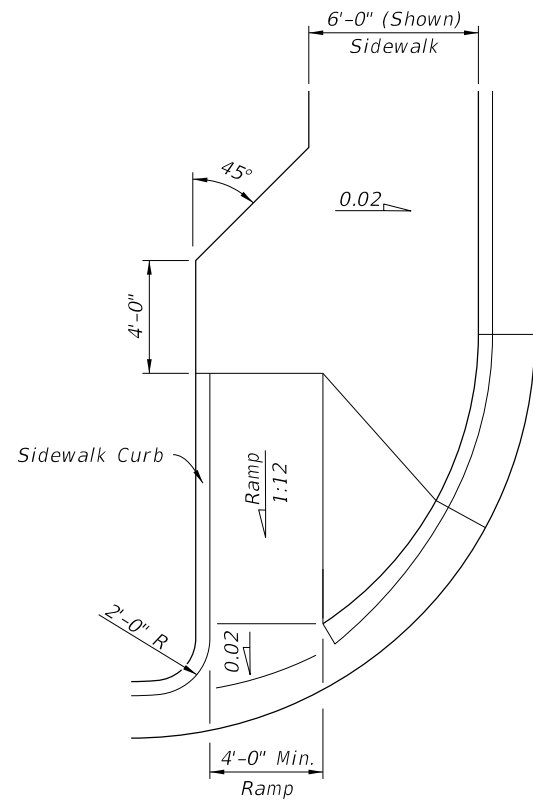
ISOMETRIC VIEW



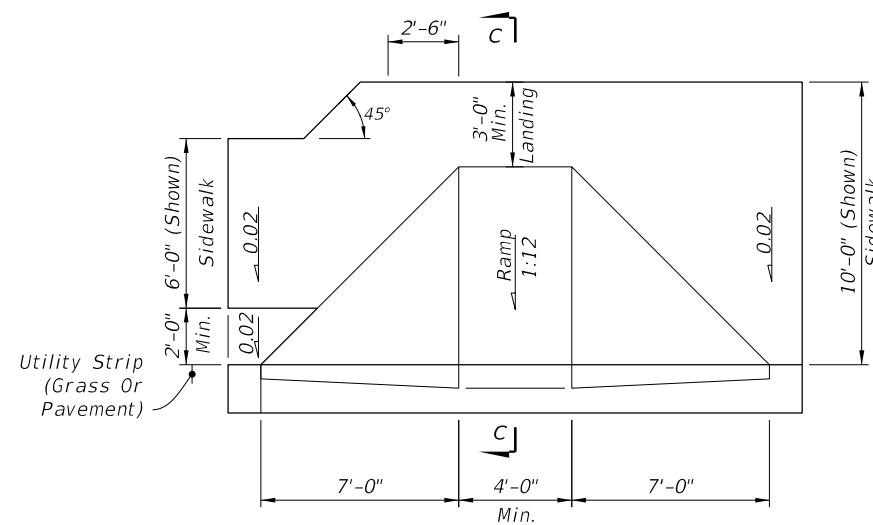
OPTION A



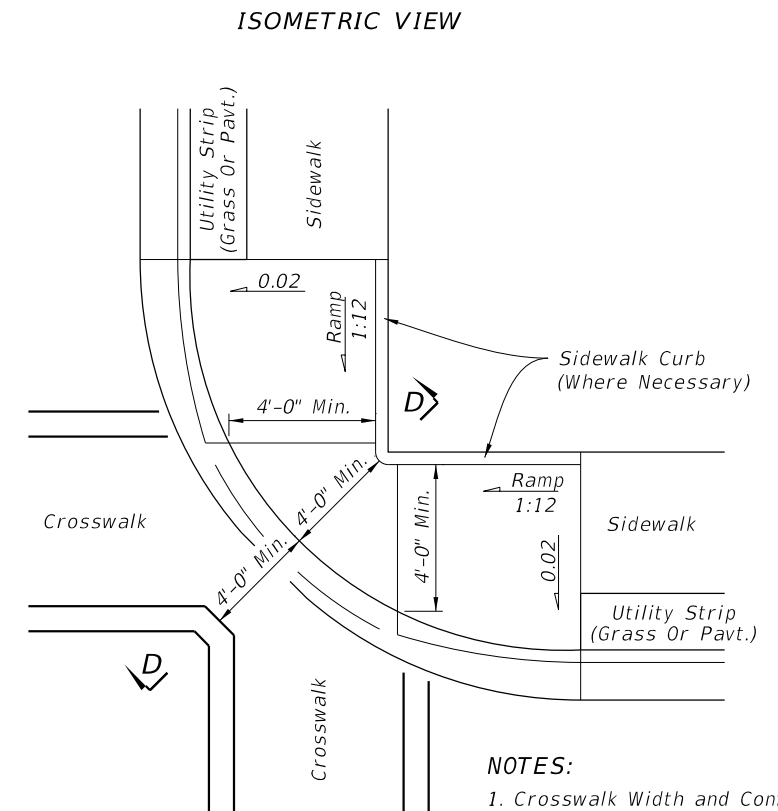
OPTION B



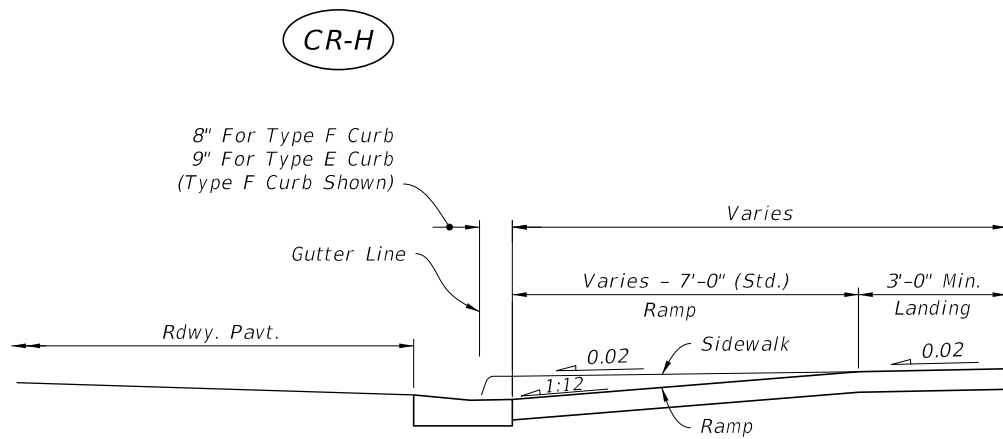
PLAN VIEW



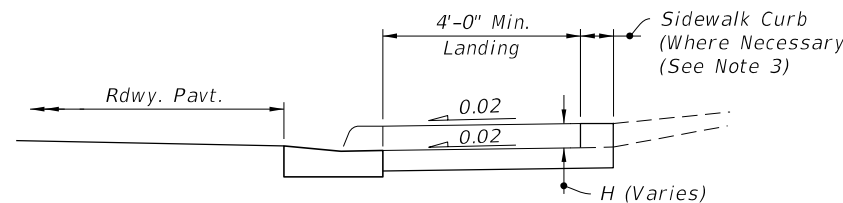
PLAN VIEW



PLAN VIEW



SECTION C-C



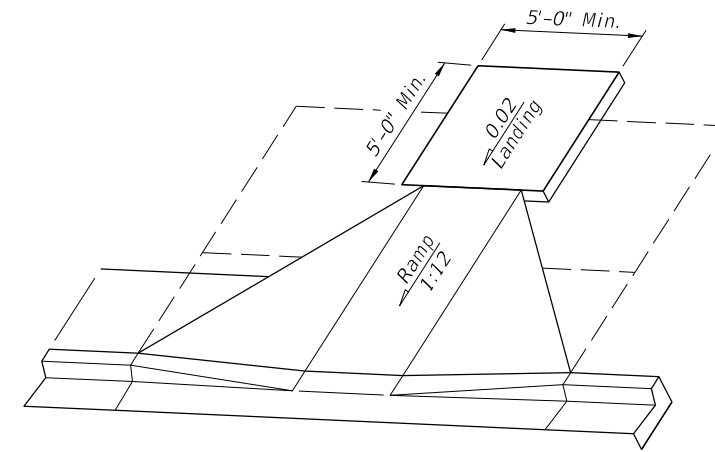
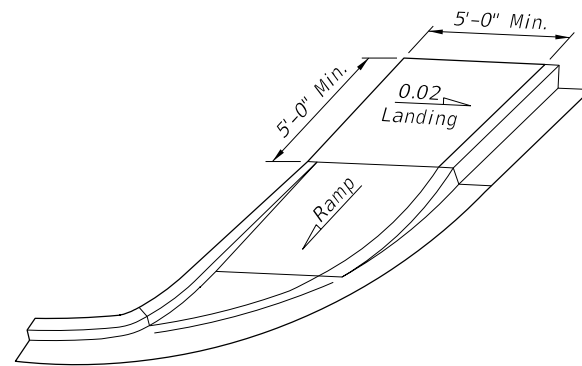
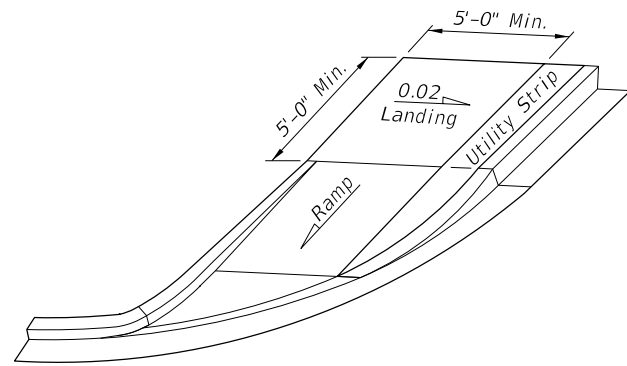
SECTION D-D

- NOTES:
1. Crosswalk Width and Configuration Vary; Must Conform to Index 711-001.
 2. 15' Radius Curve Shown for CR-L.
 3. For additional information on sidewalk curb construction, see SIDEWALK CURB OPTIONS details, on Sheet 3.

SIDEWALK CURB RAMPS CR-H, CR-K & CR-L

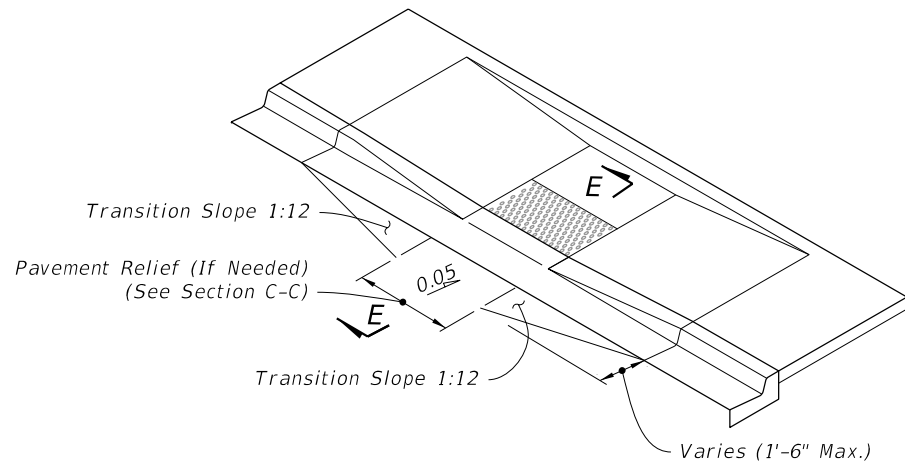
9/26/2025 1:56:51 PM

LAST REVISION 11/01/20	DESCRIPTION:		FY 2026-27 STANDARD PLANS	DETECTABLE WARNINGS AND SIDEWALK CURB RAMPS	INDEX 522-002	SHEET 5 of 7
---------------------------	--------------	--	------------------------------	---	------------------	-----------------

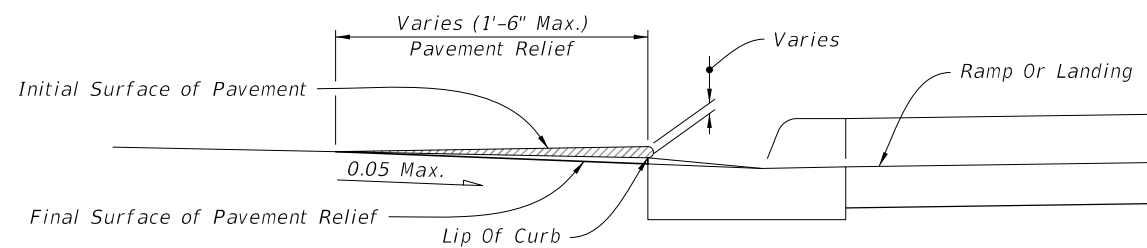


LANDINGS FOR CURB RAMPS WITHOUT SIDEWALKS

(See CR-F, CR-G & CR-K Respectively For Detectable Warning Details/Options)



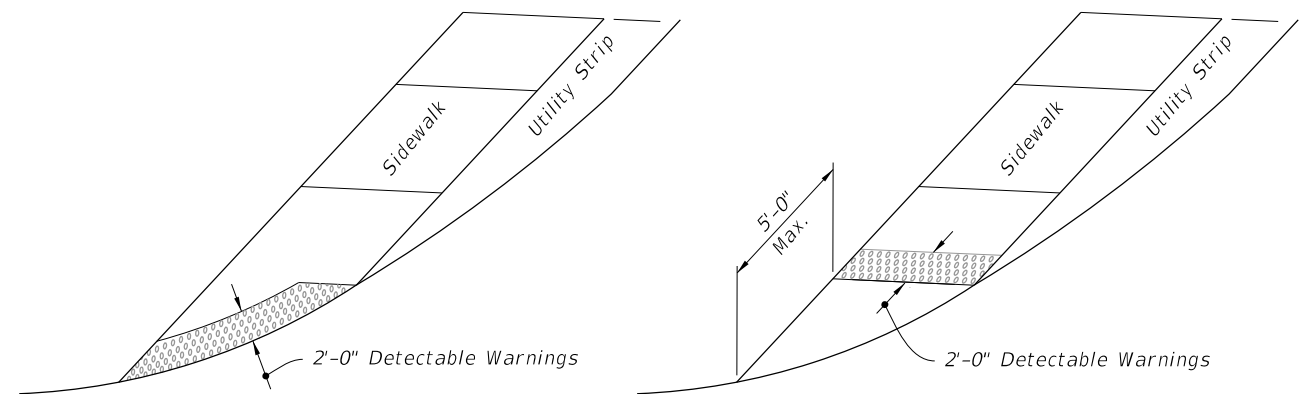
ISOMETRIC VIEW
(CR-C Shown, Other Similar)



NOTE: Remove Elevated Pavement By Spading And Rolling, Smooth Milling, or Grinding.

SECTION E-E

PAVEMENT RELIEF DETAILS



OPTION A

OPTION B

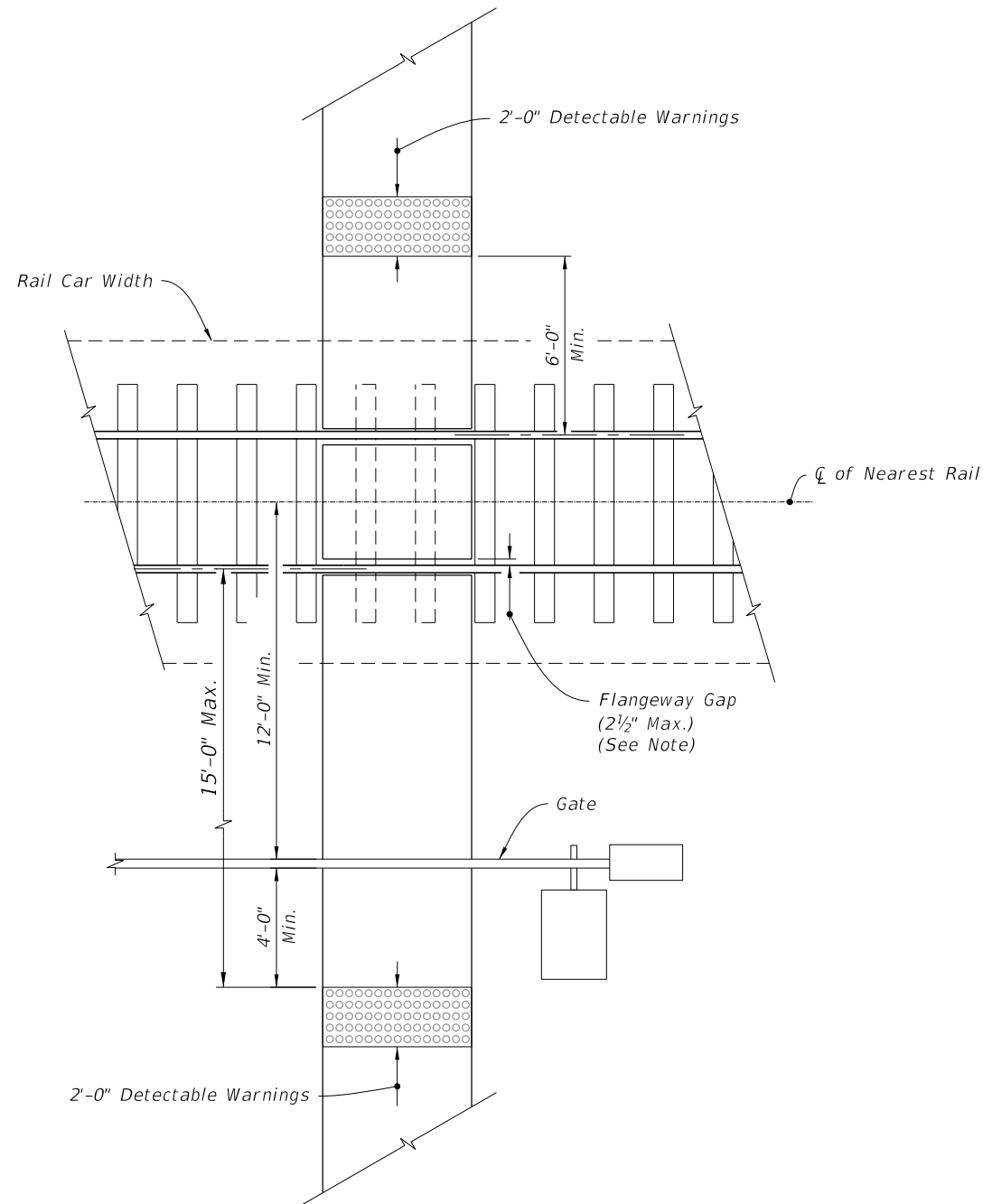
DETECTABLE WARNING ON FLUSH SHOULDER SIDEWALKS

CURB RAMPS WITHOUT SIDEWALKS AND FLUSH SHOULDER SIDEWALKS

9/26/2025 1:56:57 PM

LAST REVISION 11/01/20	REVISION	DESCRIPTION:		FY 2026-27 STANDARD PLANS	DETECTABLE WARNINGS AND SIDEWALK CURB RAMPS	INDEX 522-002	SHEET 6 of 7
---------------------------	----------	--------------	---	------------------------------	---	------------------	-----------------

10/15/2025 8:09:29 AM



NOTE:

Flangeway Gap may be up to 3" for Freight-only Railways.

=====**RAILROAD CROSSING**=====

RAILROAD CROSSING

LAST REVISION 11/01/25	DESCRIPTION:
---------------------------	--------------



FY 2026-27
STANDARD PLANS

DETECTABLE WARNINGS AND SIDEWALK CURB RAMPS

INDEX
522-002

SHEET
7 of 7