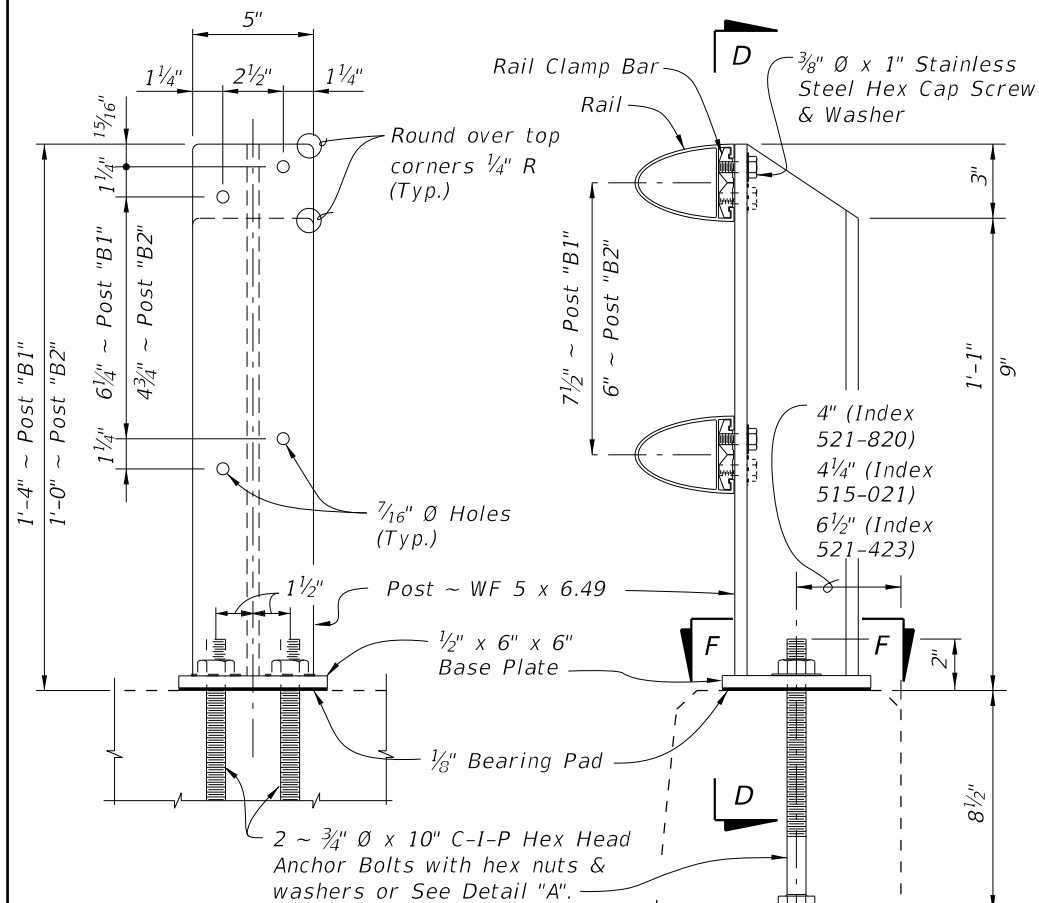


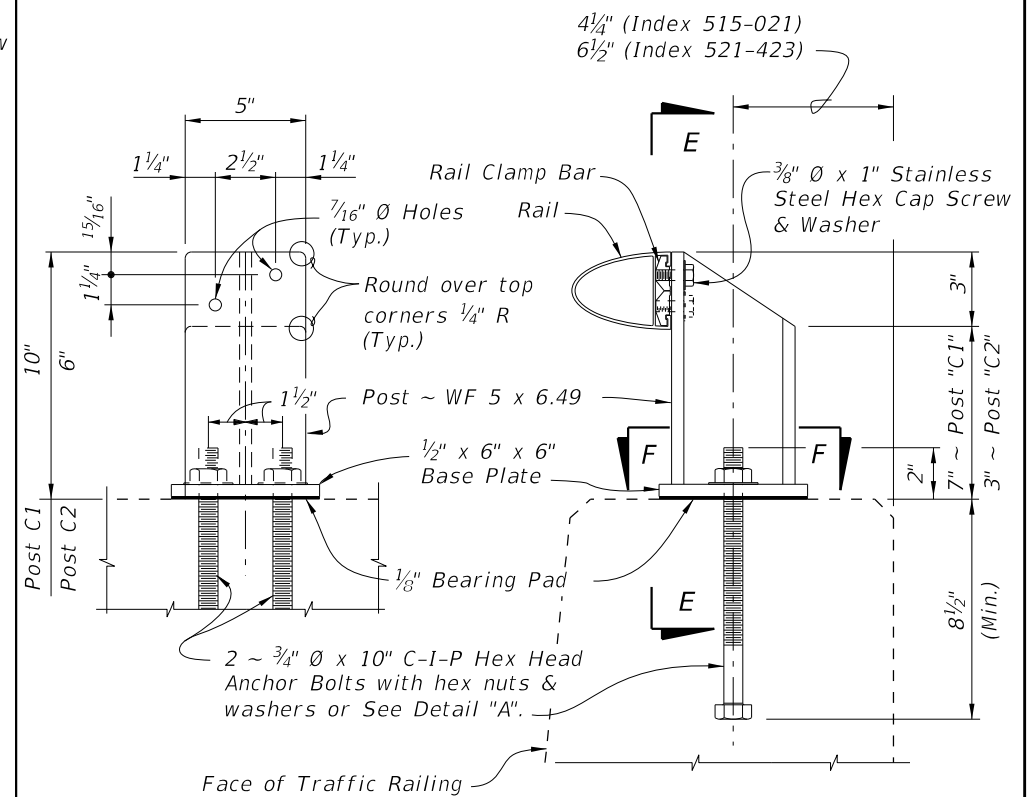
SECTION C-C  
(RAILS NOT SHOWN)

POST "D" DETAILS FOR SPECIAL HEIGHT BICYCLE RAILING  
(SHBR) ON CONCRETE PARAPET (INDEX 521-820)



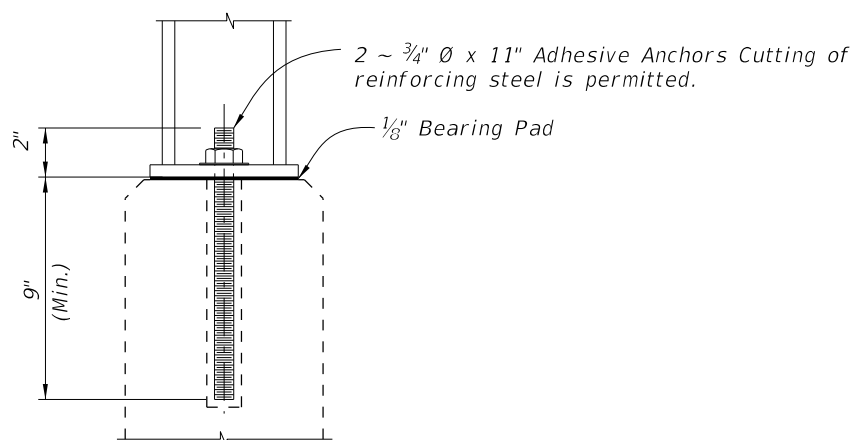
SECTION D-D  
(RAILS NOT SHOWN)

POST "B1" DETAILS FOR SHBR ON TRAFFIC RAILING  
(INDEX 521-423) AND FOR PEDESTRIAN/BICYCLE  
RAILING (PBR) ON CONCRETE PARAPETS (INDEX 521-820)  
POST "B2" DETAILS FOR SHBR ON TRAFFIC RAILING  
(INDEX 521-427 AND 515-021)

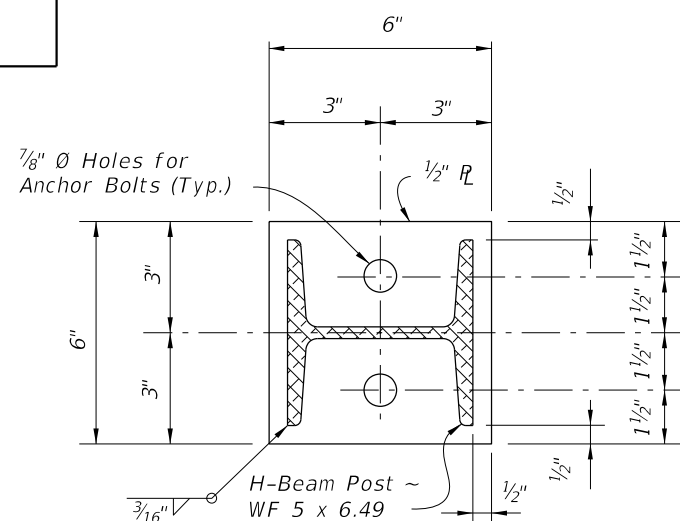


SECTION E-E  
(RAIL NOT SHOWN)

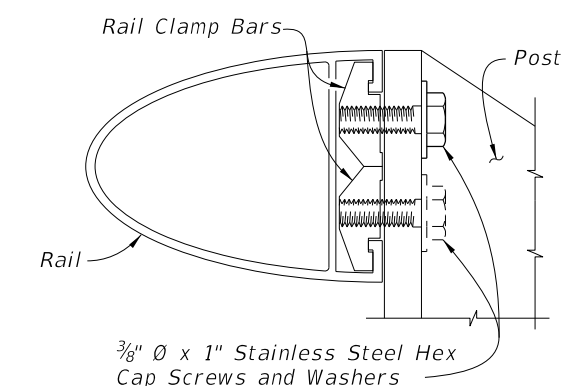
POST "C1" DETAILS FOR PEDESTRIAN/BICYCLE RAILING (PBR)  
ON TRAFFIC RAILINGS (INDEX 521-423)  
POST "C2" DETAILS FOR PBR ON  
TRAFFIC RAILING (INDEX 521-427 & 515-021)



DETAIL "A"  
ALTERNATE ANCHOR BOLT  
(Concrete Parapet Shown,  
Traffic Railings Similar)



SECTION F-F  
BASE PLATE DETAIL



RAIL TO POST CONNECTION DETAIL

CROSS REFERENCES:

For post spacing on Concrete Parapets  
see Index 521-820.

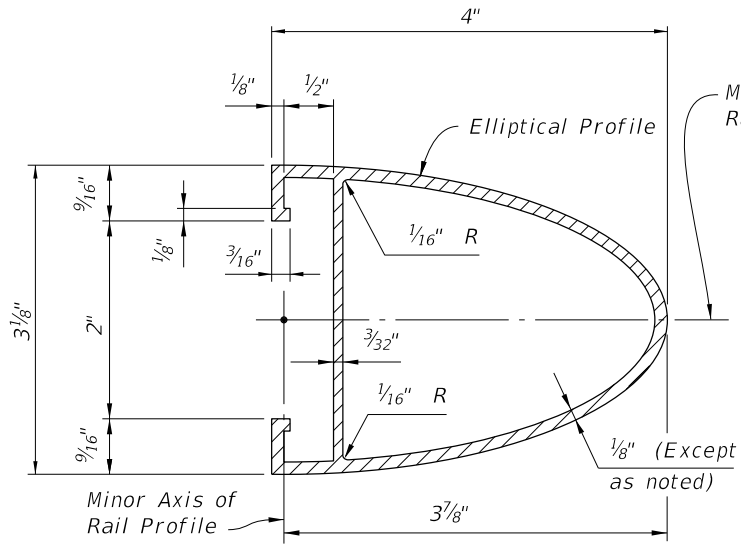
For post spacing on Traffic Railings  
see Index 515-021.

For Rail Details see Sheet 2.

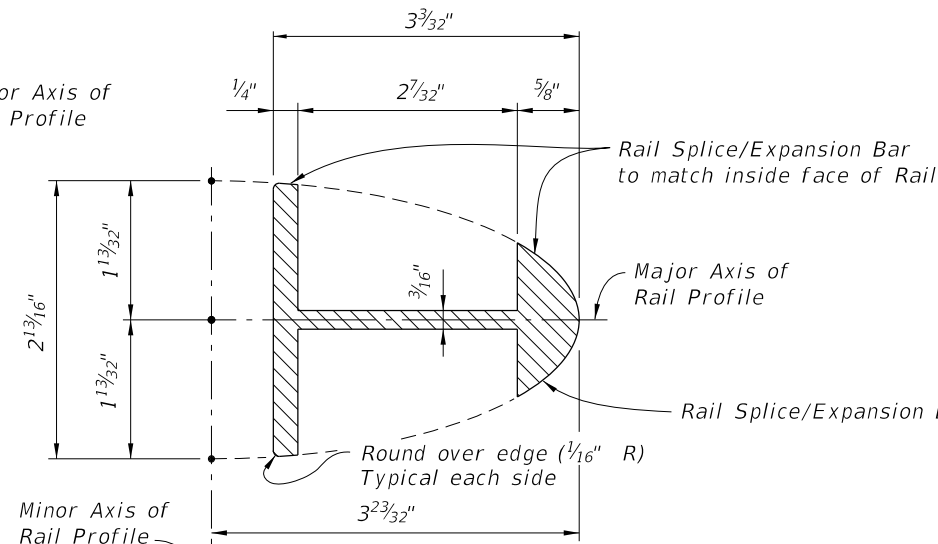
For Railing Notes and Tapered End  
Transition Details see Sheet 3.

10/6/2025 3:10:36 PM

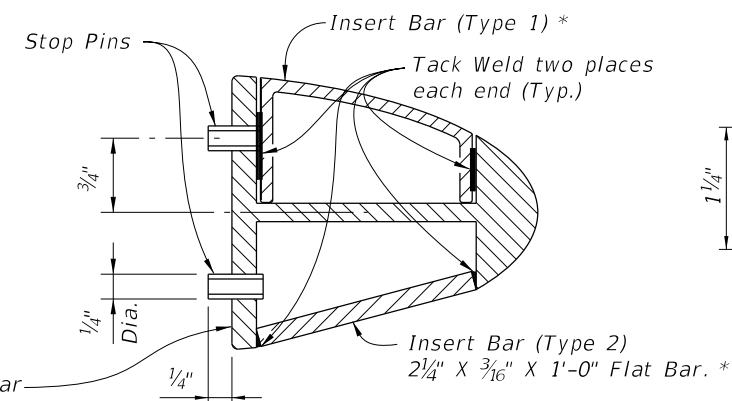
LAST REVISION 11/01/17	DESCRIPTION:
---------------------------	--------------



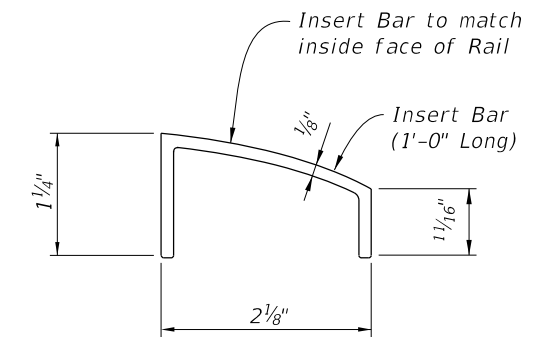
**SECTION A-A  
TYPICAL SECTION THRU RAIL**



**SECTION B-B - RAIL SPLICE/EXPANSION BAR  
(Rail not shown for clarity)**

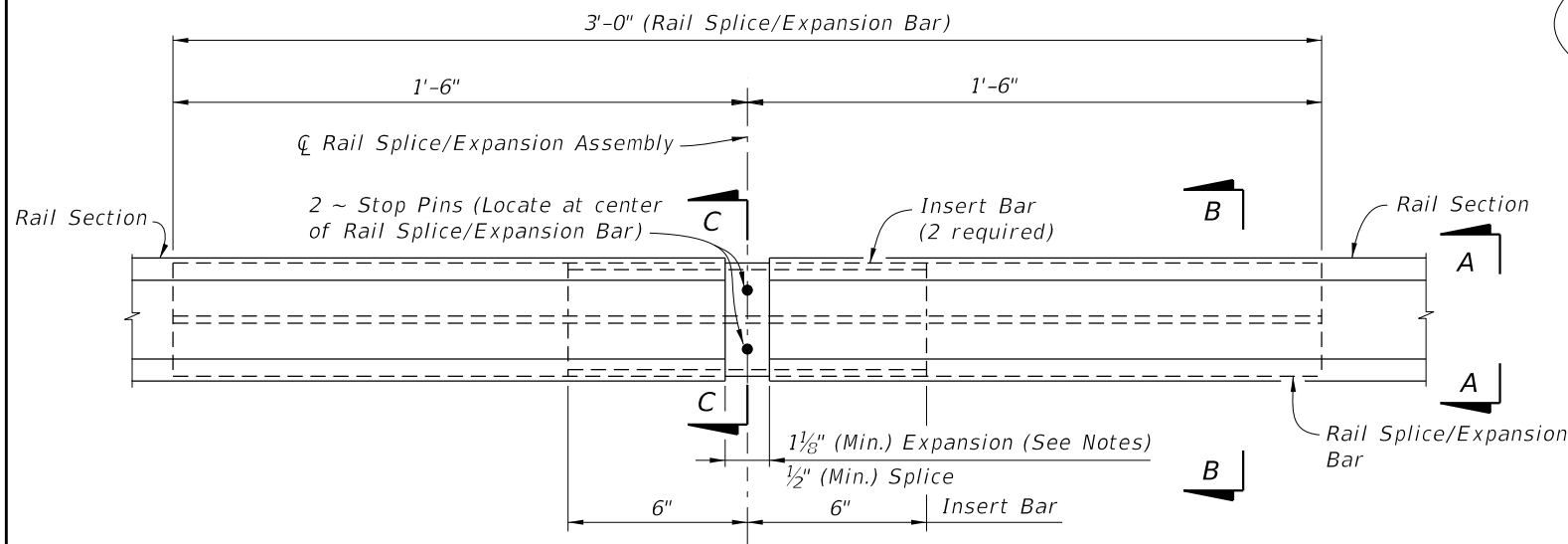


**SECTION C-C  
RAIL SPLICE/EXPANSION  
BAR ASSEMBLY**

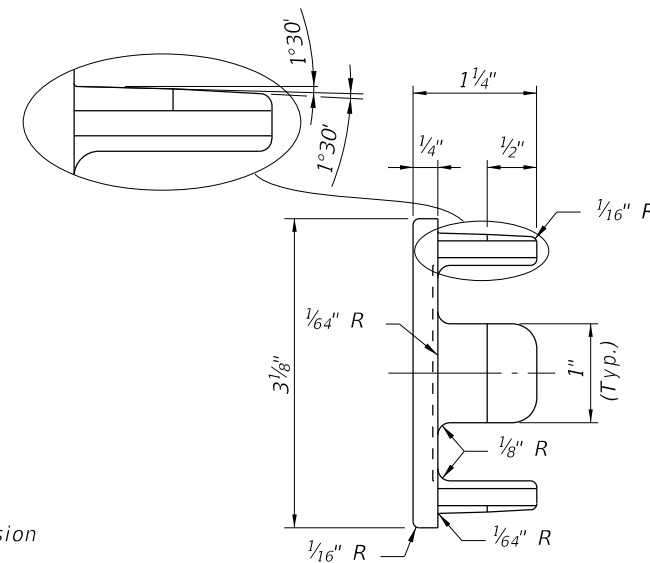


**INSERT BAR DETAIL (TYPE 1)**

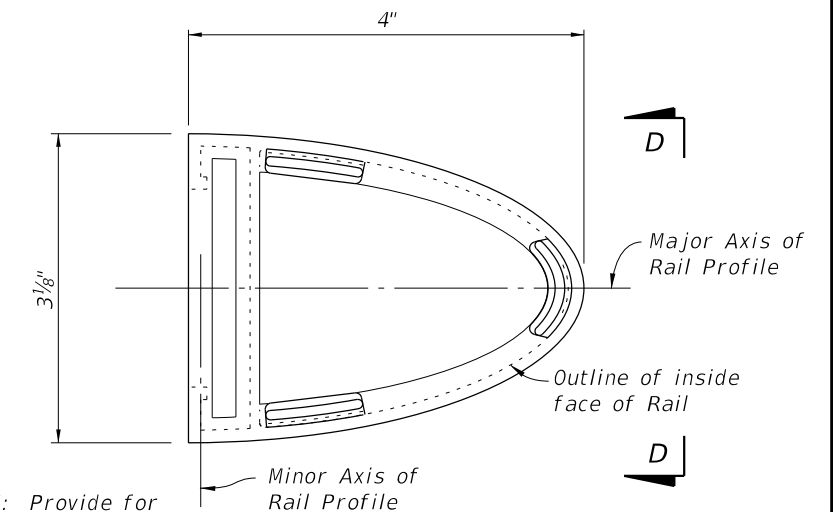
\* Use of either Type 1 or Type 2 Insert Bars is at the option of the Contractor.



**RAIL SPLICE/EXPANSION ASSEMBLY DETAIL**



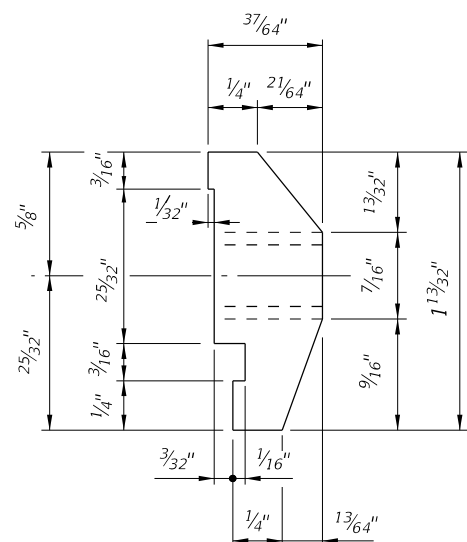
**VIEW D-D**



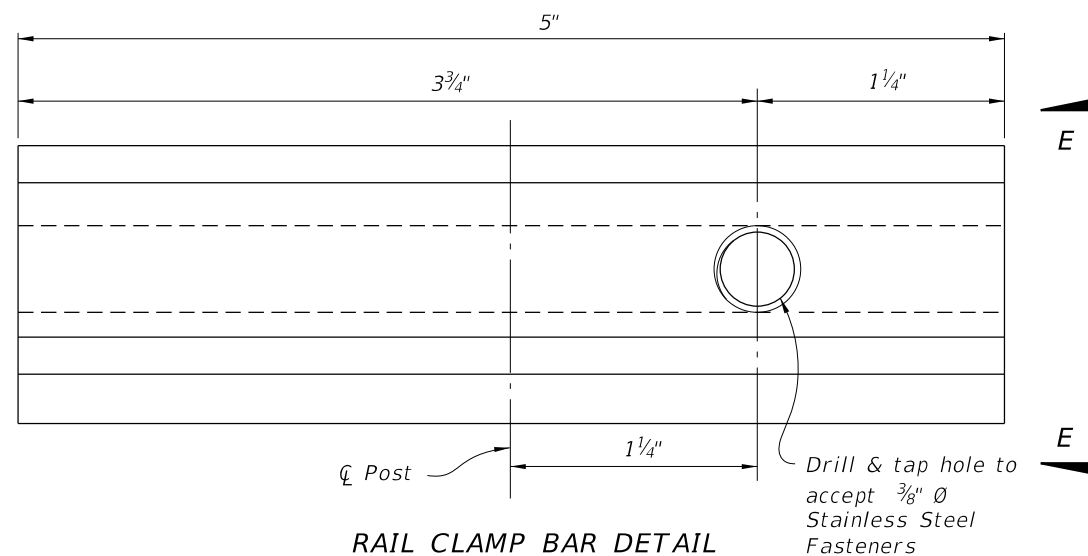
**RAIL END CAP DETAIL**

NOTE: Provide for drive fit.

CROSS REFERENCE:  
For Notes and Tapered End Transition Details,  
See Sheet 3.




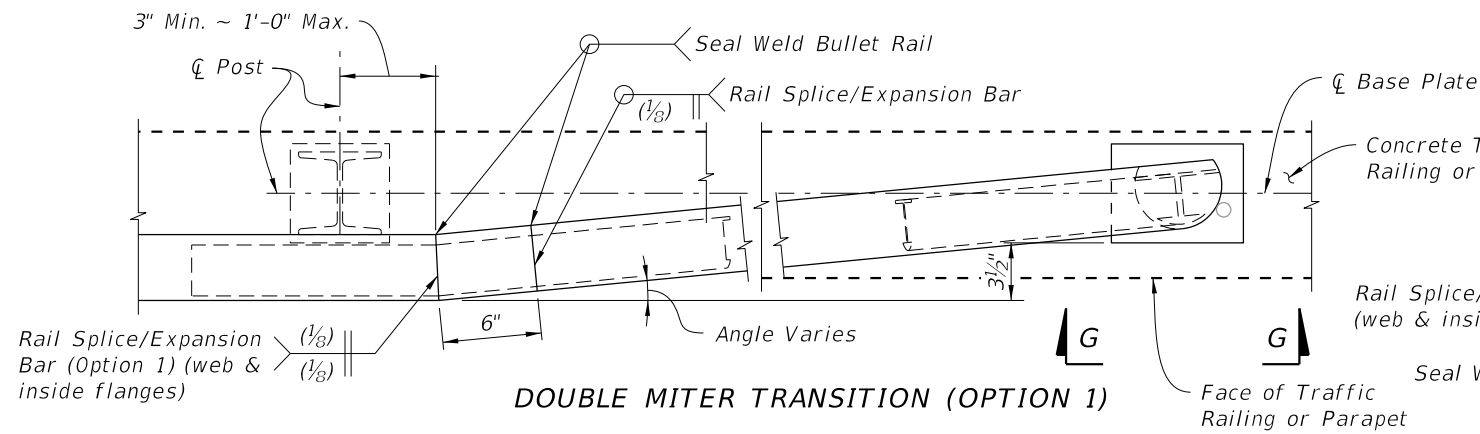
**VIEW E-E**



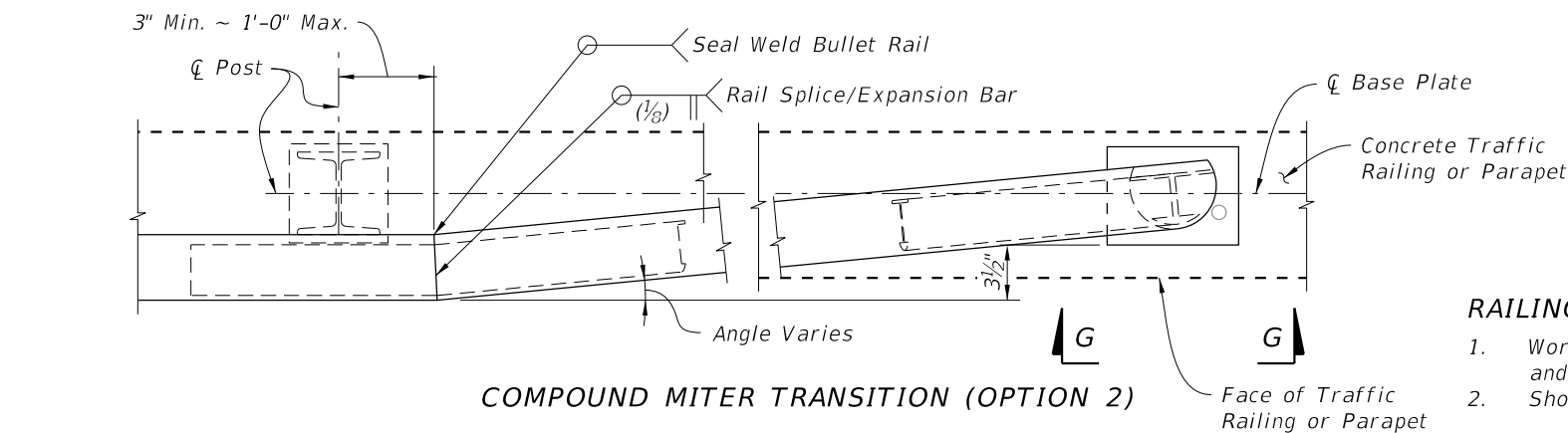
**RAIL CLAMP BAR DETAIL**

10/16/2025 3:10:44 PM

LAST REVISION 07/01/14	REVISION	DESCRIPTION:		FY 2026-27 STANDARD PLANS	PEDESTRIAN/BICYCLE BULLET RAILING DETAILS	INDEX 515-022	SHEET 2 of 3
---------------------------	----------	--------------	---	------------------------------	--	------------------	-----------------

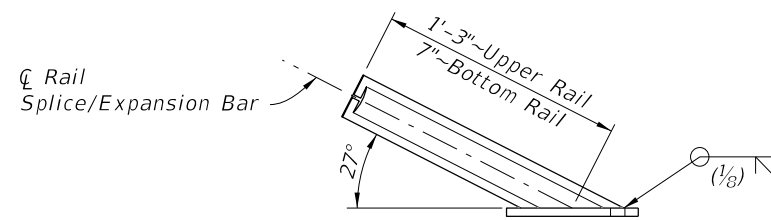


**DOUBLE MITER TRANSITION (OPTION 1)**

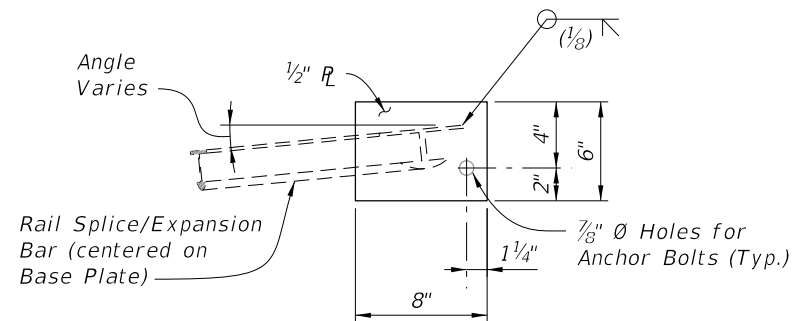


**COMPOUND MITER TRANSITION (OPTION 2)**

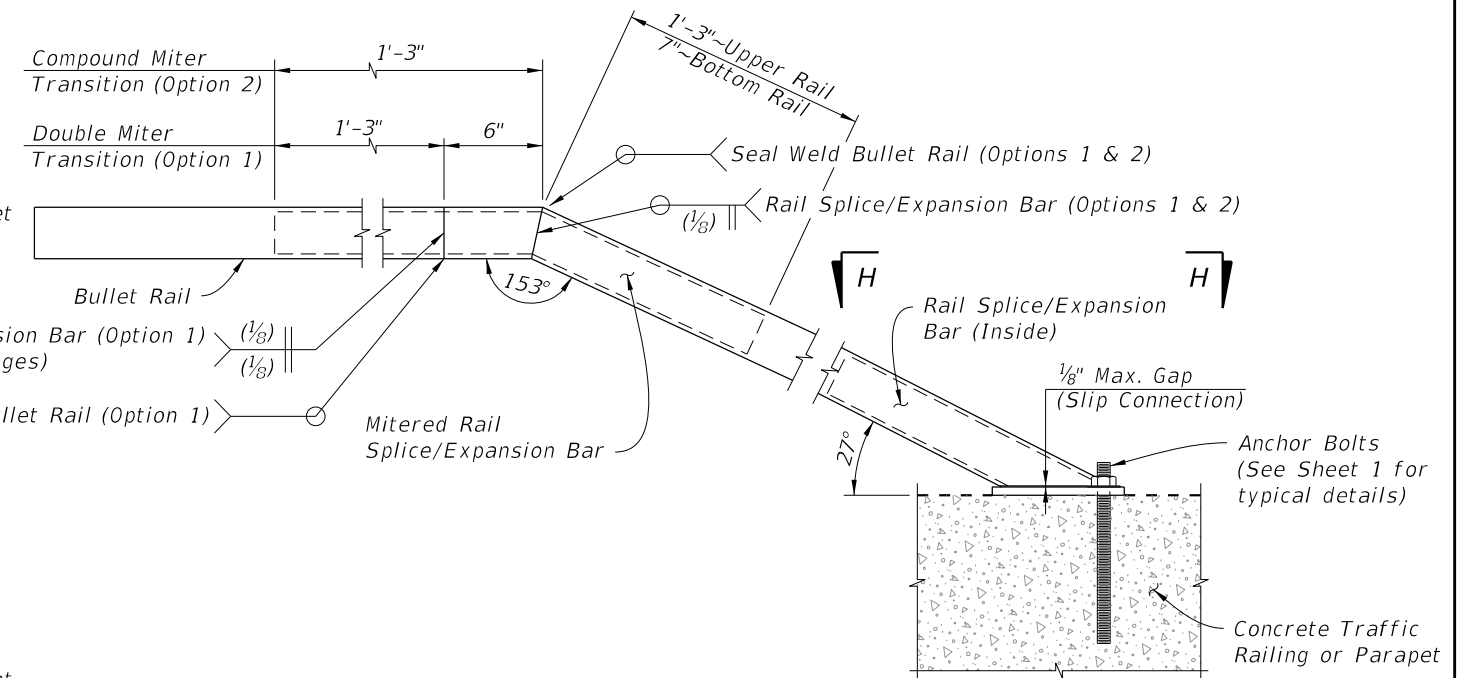
**PARTIAL PLAN OF TAPERED END TRANSITIONS**  
(Single Rail Shown, Double or Triple Rail Similar)



**VIEW G-G TRANSITION BASE PLATE**  
(Bullet Rail not shown for Clarity)



**VIEW H-H TRANSITION BASE PLATE**  
(Bullet Rail not shown for Clarity)




**ELEVATION OF TAPERED END TRANSITION**  
(Single Rail Shown, Double or Triple Rail Similar)

**RAILING NOTES:**

- Work this Index with Index 521-423, 521-427, 521-428, 521-820 and 515-021 and Specification Section 515.
- Shop Drawings: Submit shop drawings prior to fabrication.
  - Include post and rail splice/expansion assembly location for curved alignments with radii < 40 feet and for all end terminations.
- Materials:
  - Supply Aluminum materials in accordance with Specification Section 965 and the following:  
 Wrought Aluminum Post: ASTM B221, Alloy 6061-T6 or 6351-T5  
 Rail End Cap: ASTM B26 sand cast aluminum alloy 356.0-F  
 Plate and Bars: ASTM B209 Alloy 6061-T6  
 Rails: ASTM B221 Alloy 6061-T6 or 6351-T5.  
 Stop Pins: Press-fit aluminum or stainless steel pins or tubes  
 Stainless Steel Fasteners: ASTM F-593, Alloy Group 2 (316).  
 Bearing Pads: Plain or Fiber Reinforced meeting Specification Section 932 for Ancillary Structures.  
 Anchor Bolts: Galvanized ASTM A307 Grade 36 Hex Head. Galvanized ASTM 1554 Grade 55 Threaded rods for Adhesive Anchors.
- Layout:
  - Posts shall be uniformly spaced with reasonable consistency.
  - Tapered End Transitions are required at the terminus of the approach ends of Bullet Railing mounted on a Traffic Railing. Bullet Railings on concrete parapets shielded by a traffic railing do not require Tapered End Transitions unless noted otherwise in the Plans.
  - Adjust post spacing's to avoid parapet obstacles, such as armor expansion plates, by 9 inches minimum.
  - Rails shall be continuous over a minimum of 3 posts, except that lengths less than 12 feet need only be continuous over 2 posts.
  - Space splices at 40 feet maximum. Splice all rails in a given railing section at about the same center line.
  - Provide rail expansion assemblies in panels between posts on either side of a bridge expansion joint. Rail expansion assemblies are similar to the rail splice assemblies with increased space at the expansion assembly to allow for movement equal to 1.5 times the bridge joint opening or 1" greater than the expected joint movement.
- Installation:
  - Set rails near bridge expansion joints to allow for expected movement.
  - Cutting of reinforcing steel is permitted for post installed anchors.
- Payment: Includes the full cost of installed bullet railing. Cost of the Concrete Parapet or Traffic Railing is separate.

10/6/2025 3:10:51 PM

LAST REVISION 11/01/22	REVISION	DESCRIPTION:	 <b>FY 2026-27 STANDARD PLANS</b>	<b>PEDESTRIAN/BICYCLE BULLET RAILING DETAILS</b>	INDEX 515-022	SHEET 3 of 3
---------------------------	----------	--------------	---	--	------------------	-----------------