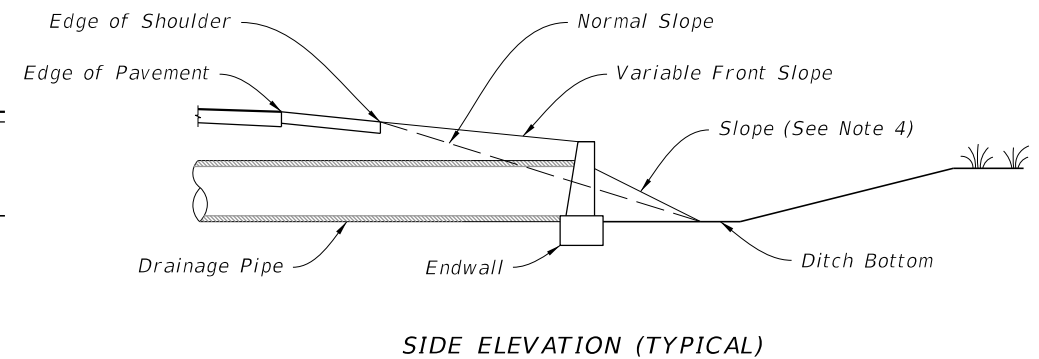
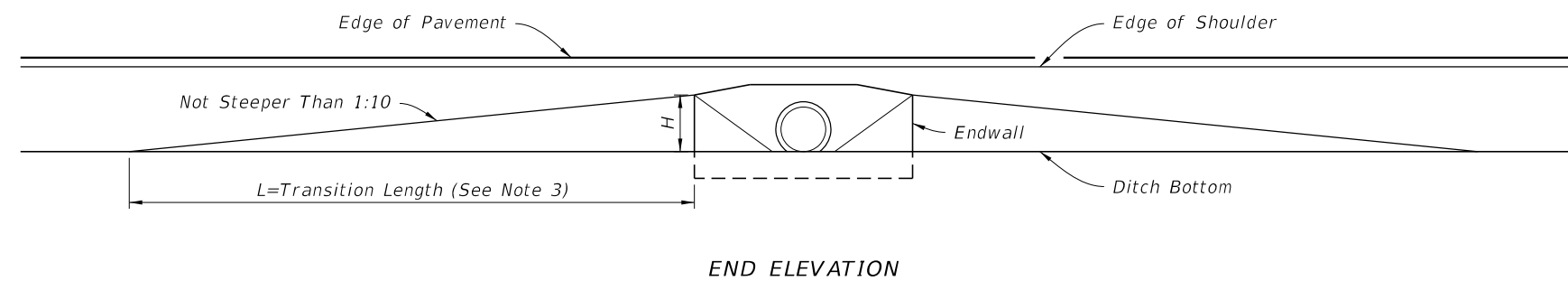
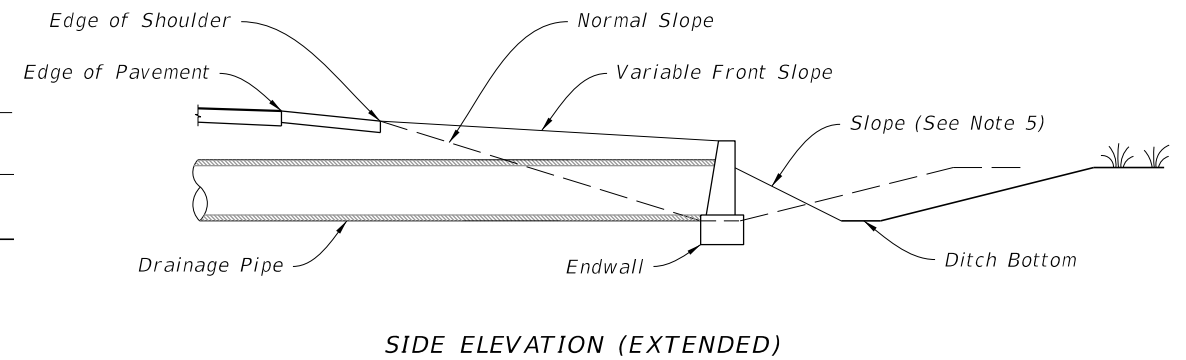
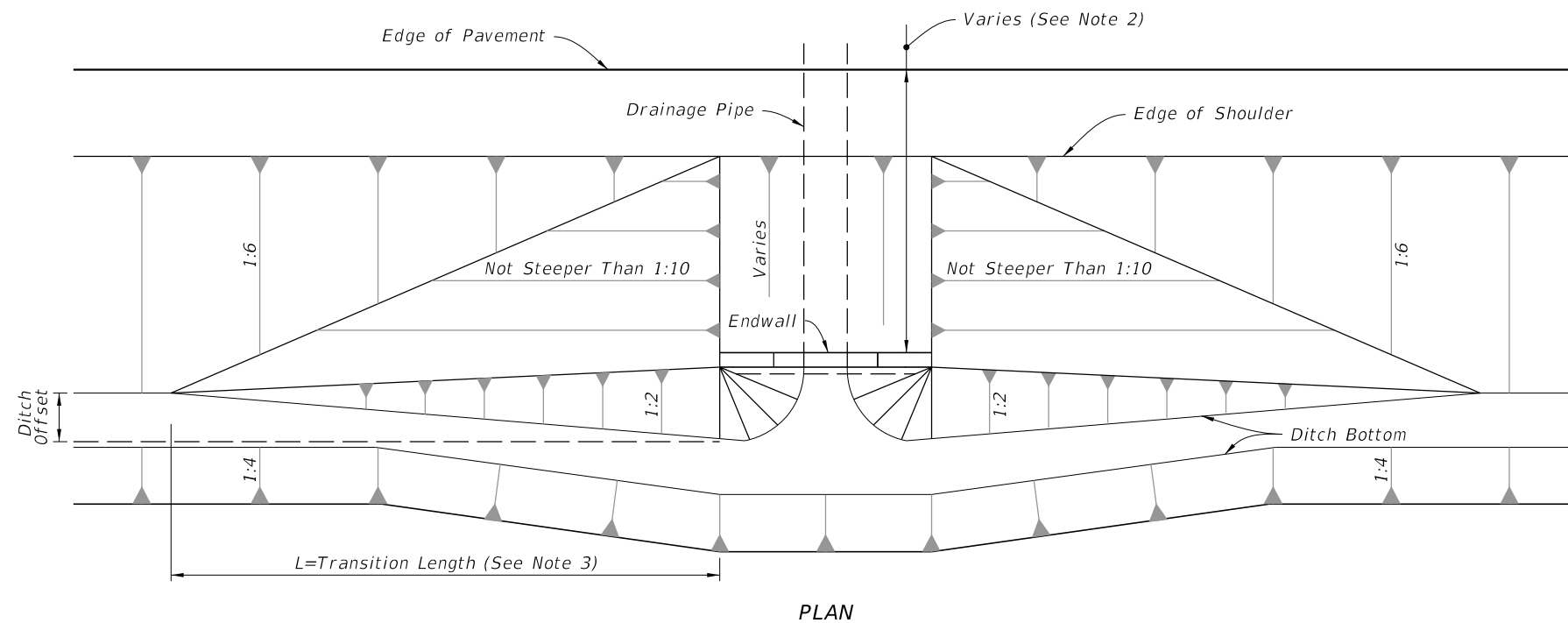


NOTES:

1. Fill or excavate variable slopes during normal grading operations.
2. Minimum distance as required to comply with safety criteria.
3. Use Larger Value Of Either:
 $L=10 \times H$ (No Maximum)
 $L=10 \times \text{Ditch Offset}$ (Maximum $L=100'$)
4. Slope to normal slope if possible. Slope not to be steeper than 1:2. See side elevation (extended) below if 1:2 slope must go beyond toe of normal slope.
5. 1:2 slope if necessary to go beyond normal toe of slope and maintain ditch width by moving out back slope.

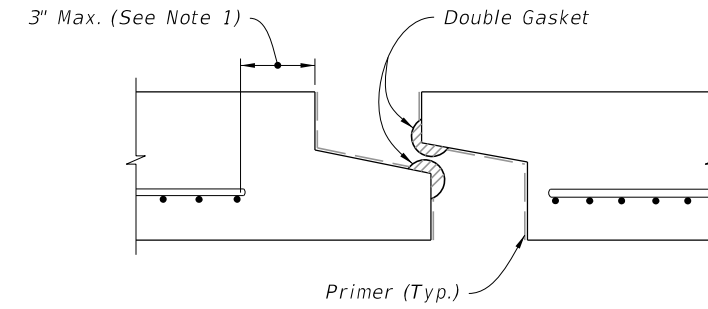
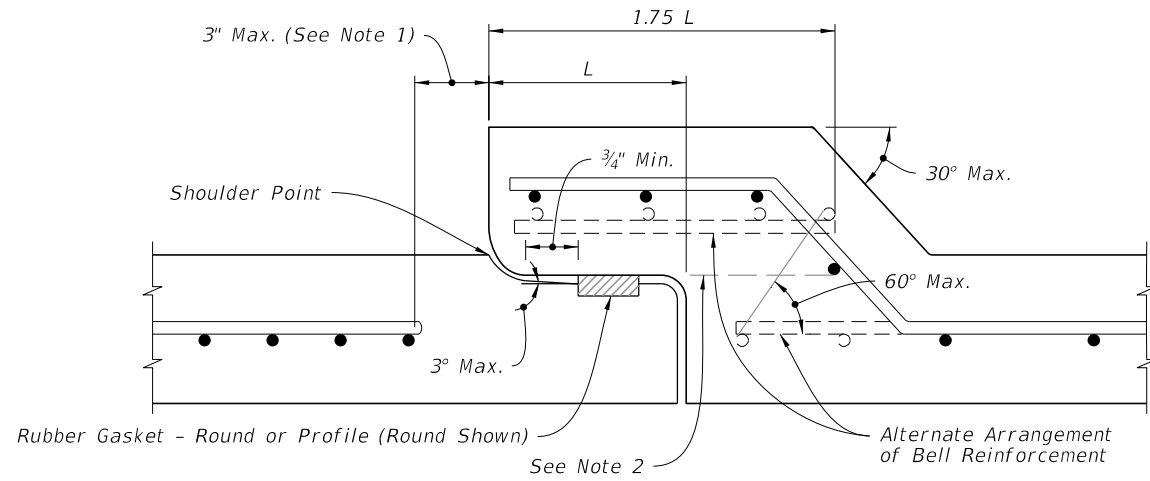


FRONT SLOPES AT DRAINAGE STRUCTURES

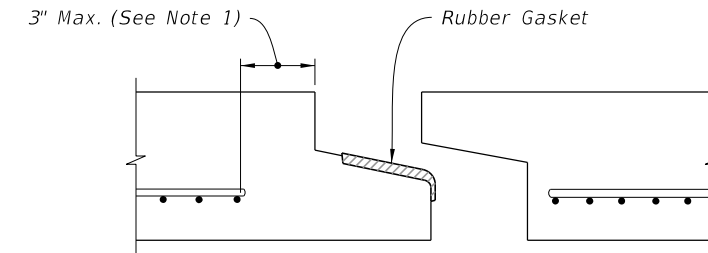
TABLE OF CONTENTS:	
Sheet	Description
1	Limits of Variable Front Slopes at Drainage Structures
2	Round and Elliptical Concrete Pipe Joint
3	Geotextile Jacket, Concrete Jacket, and Pipe Plug
4	Concrete Collars
5	Single Pipe End Guard
6	Double Pipe End Guard
7	Retaining Wall Concrete Gutter and Drains

LIMITS OF VARIABLE FRONT SLOPES AT DRAINAGE STRUCTURES

9/26/2025 12:56:24 PM



PREFORMED PLASTIC JOINT



PROFILE RUBBER GASKET

TABLE 1
SCHEDULE OF BELL REINFORCEMENT
Classes II, III, IV, AND V;
Wall A, B, AND C

Nominal Pipe Diameter	Design Bell Reinforcement	Maximum Reinforcement Under Tolerance
	in ² per foot	in ² per foot
15"	0.07	0.010
18"	0.07	0.010
24"	0.09	0.010
30"	0.12	0.010
36"	0.14	0.010
42"	0.16	0.010
48"	0.19	0.011
54"	0.21	0.012
60"	0.23	0.0135
66"	0.26	0.015
72"	0.28	0.0165
78"	0.30	0.018
84"	0.33	0.0195
90"	0.35	0.021
96"	0.37	0.0225
102"	0.40	0.024
108"	0.42	0.0255

NOTES:

1. Locate the last full wrap of reinforcement within 3 inches of the spigot shoulder and meet ASTM C76 for round pipe.
2. All circumferential steel located above this line and within the 1.75 L is defined as bell reinforcement.

NOTES:

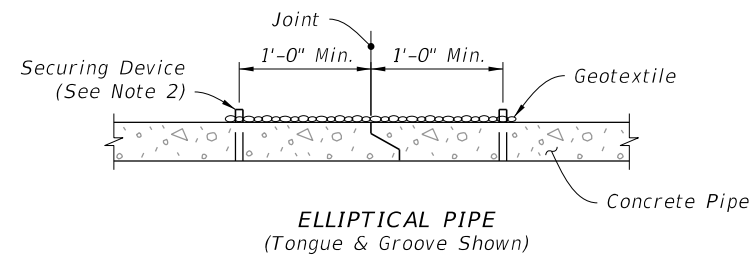
1. Locate the last full wrap of reinforcement within 3 inches of the spigot shoulder and meet ASTM C507 for elliptical pipe.
2. Type D-3 Geotextile Jacket is required on both type of joints.
3. Details shown before joint is homed.

ROUND CONCRETE PIPE JOINT DETAIL

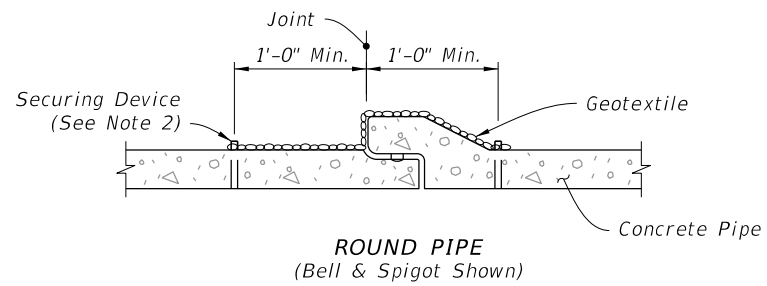
ELLIPTICAL CONCRETE PIPE JOINT DETAIL

ROUND AND ELLIPTICAL CONCRETE PIPE JOINT

9/26/2025 12:56:30 PM

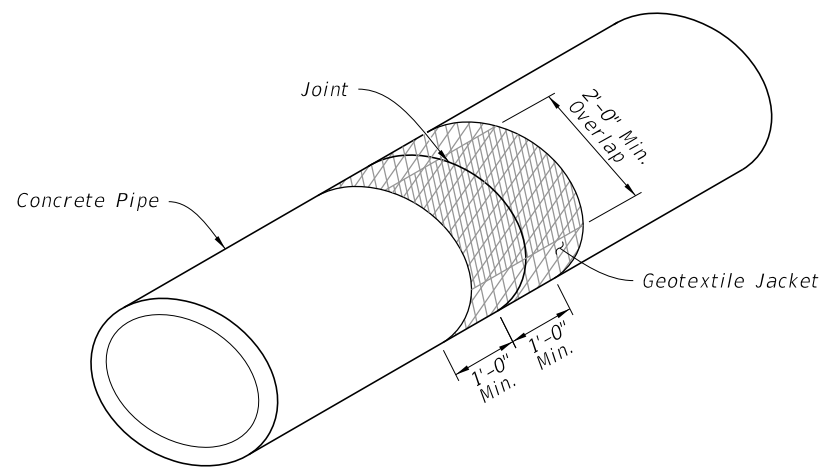


ELLIPTICAL PIPE
(Tongue & Groove Shown)



ROUND PIPE
(Bell & Spigot Shown)

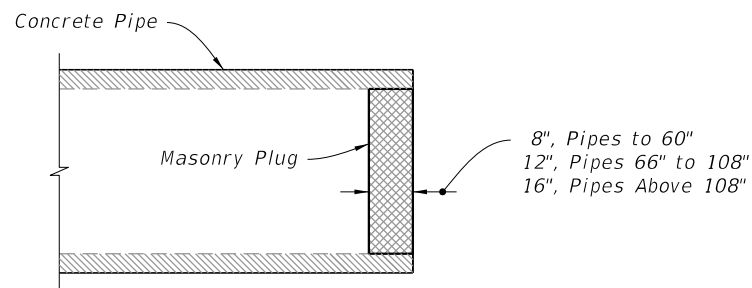
SECTION VIEW



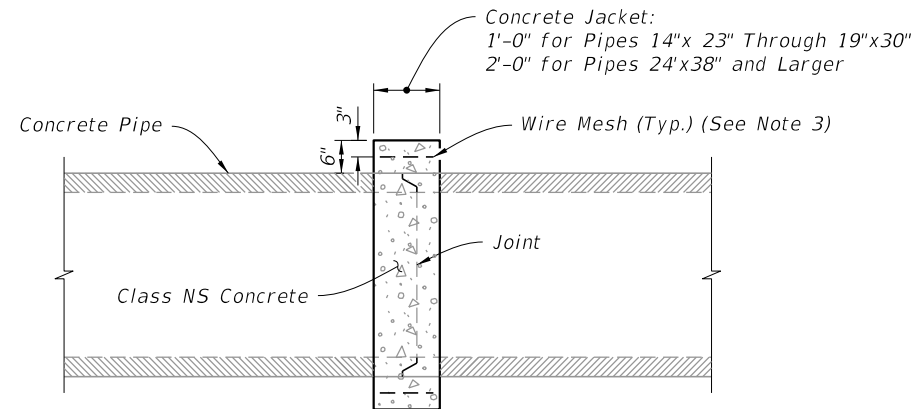
ISOMETRIC VIEW

GEOTEXTILE JACKET

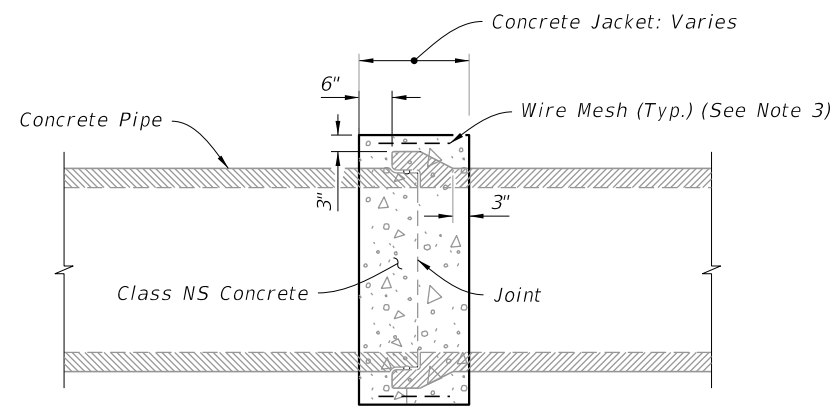
(For All Pipe Types - Concrete Elliptical Pipe Shown)



PIPE PLUG



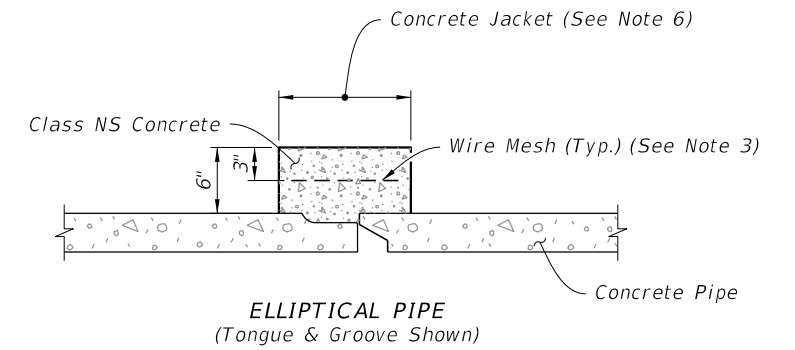
ELLIPTICAL PIPE



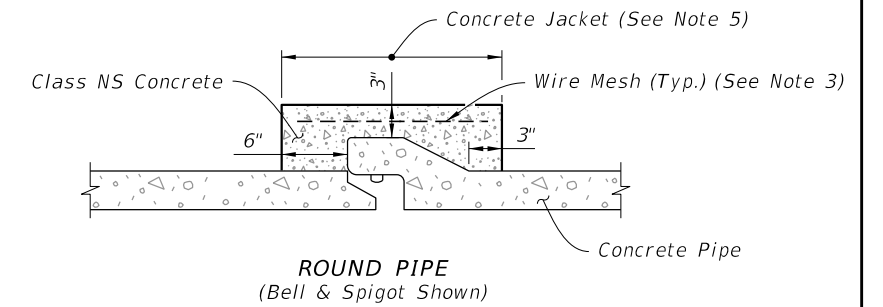
ROUND PIPE

SIMILAR TYPES

(Only When Called For In The Plans)

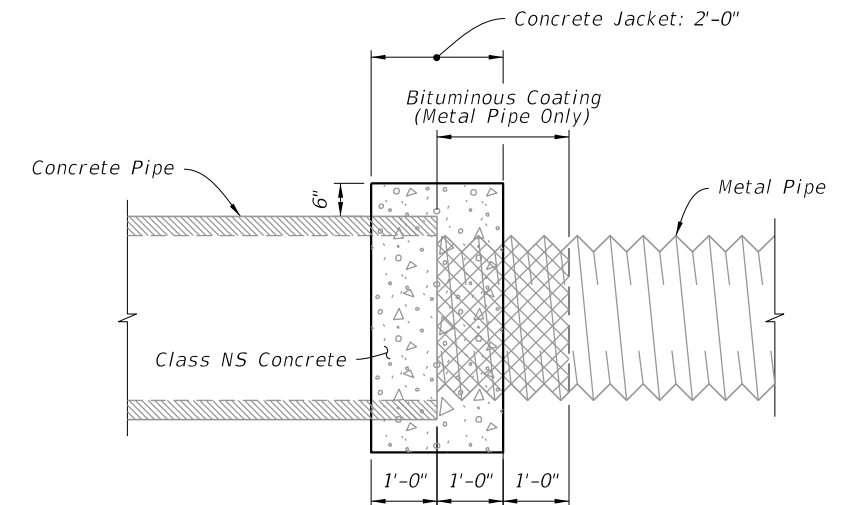


ELLIPTICAL PIPE
(Tongue & Groove Shown)



ROUND PIPE
(Bell & Spigot Shown)

DISSIMILAR JOINTS



CONCRETE AND METAL PIPE SHOWN
(Others Similar)

DISSIMILAR TYPES

CONCRETE JACKET

NOTES:

1. Alternate connection must be approved by the Engineer.
2. Install Type D-3 geotextile in accordance with Specification 514. Install securing device to hold the geotextile jacket on to the pipe.
3. Any wire mesh arrangement which provides 0.126 square inches of steel area per linear foot both ways may be used, provided the wires are spaced a minimum of 2" and/or a maximum of 6" on centers.
4. Do not use a concrete jacket to join dissimilar metal pipes.
5. 12" for pipes 15" through 24"; 24" for pipes 30" and larger.
6. 12" for pipes 14" x 23" through 19" x 30"; 24" for pipes 24" x 38" and larger.

GEOTEXTILE JACKET, CONCRETE JACKET, AND PIPE PLUG

9/26/2025 12:56:36 PM

LAST REVISION 11/01/23	REVISION	DESCRIPTION:
---------------------------	----------	--------------

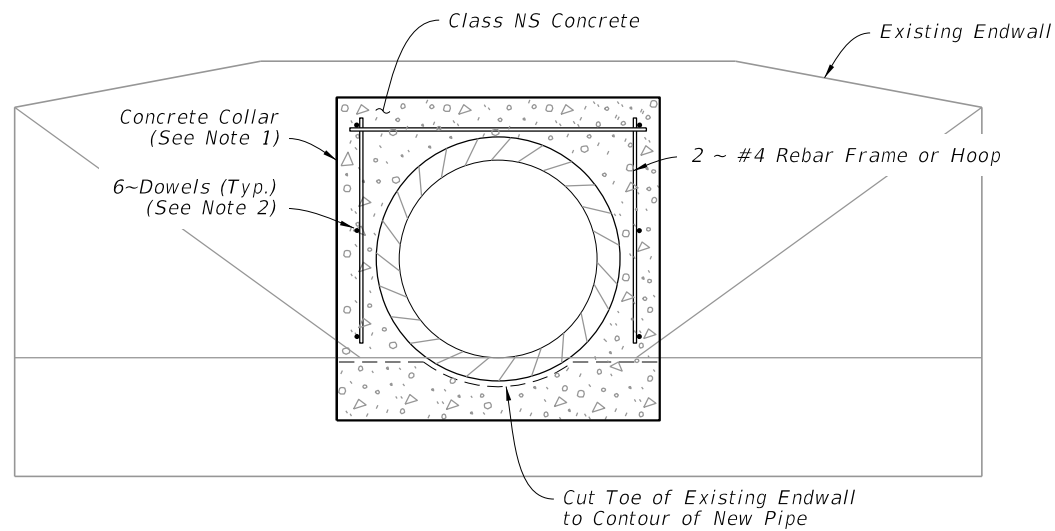


FY 2026-27
STANDARD PLANS

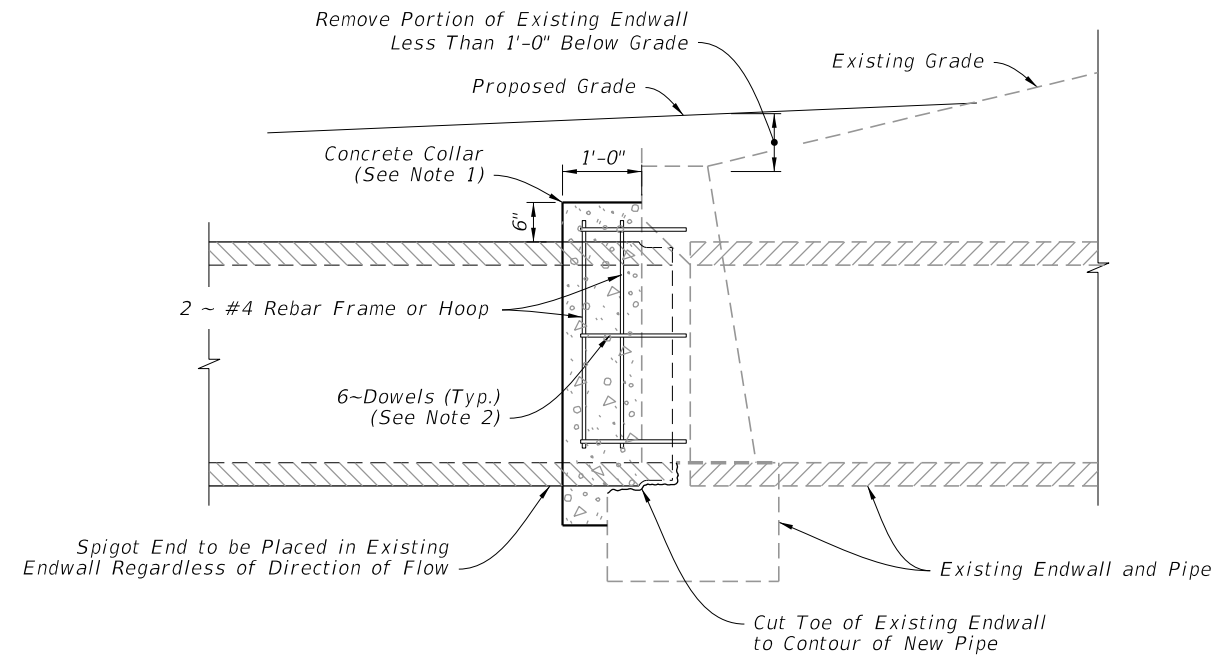
MISCELLANEOUS DRAINAGE DETAILS

INDEX
430-001

SHEET
3 of 7



END ELEVATION



SIDE ELEVATION

EXTENSION OF EXISTING PIPE CULVERTS

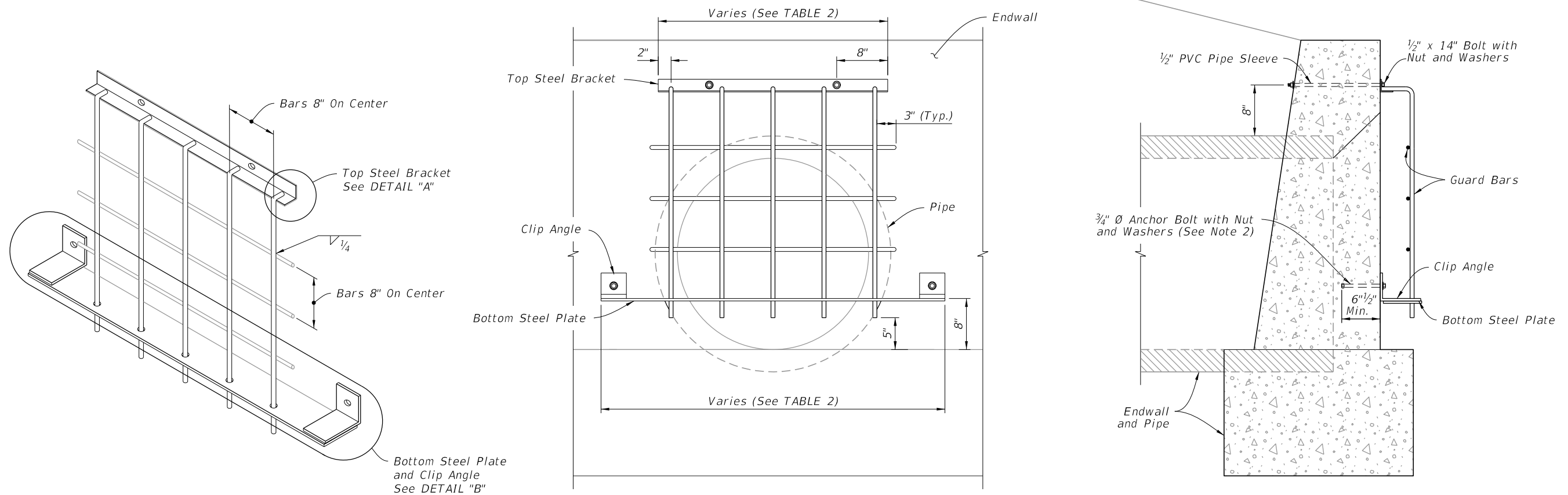
NOTES:

1. The collar may be formed by any method approved by the Engineer.
2. Install 1/2"x16" dowels in adhesive bond material.

10/14/2025 10:23:38 AM

LAST REVISION 11/01/20	REVISION	DESCRIPTION:		FY 2026-27 STANDARD PLANS	MISCELLANEOUS DRAINAGE DETAILS	INDEX 430-001	SHEET 4 of 7
---------------------------	----------	--------------	--	------------------------------	--------------------------------	------------------	-----------------

CONCRETE COLLARS

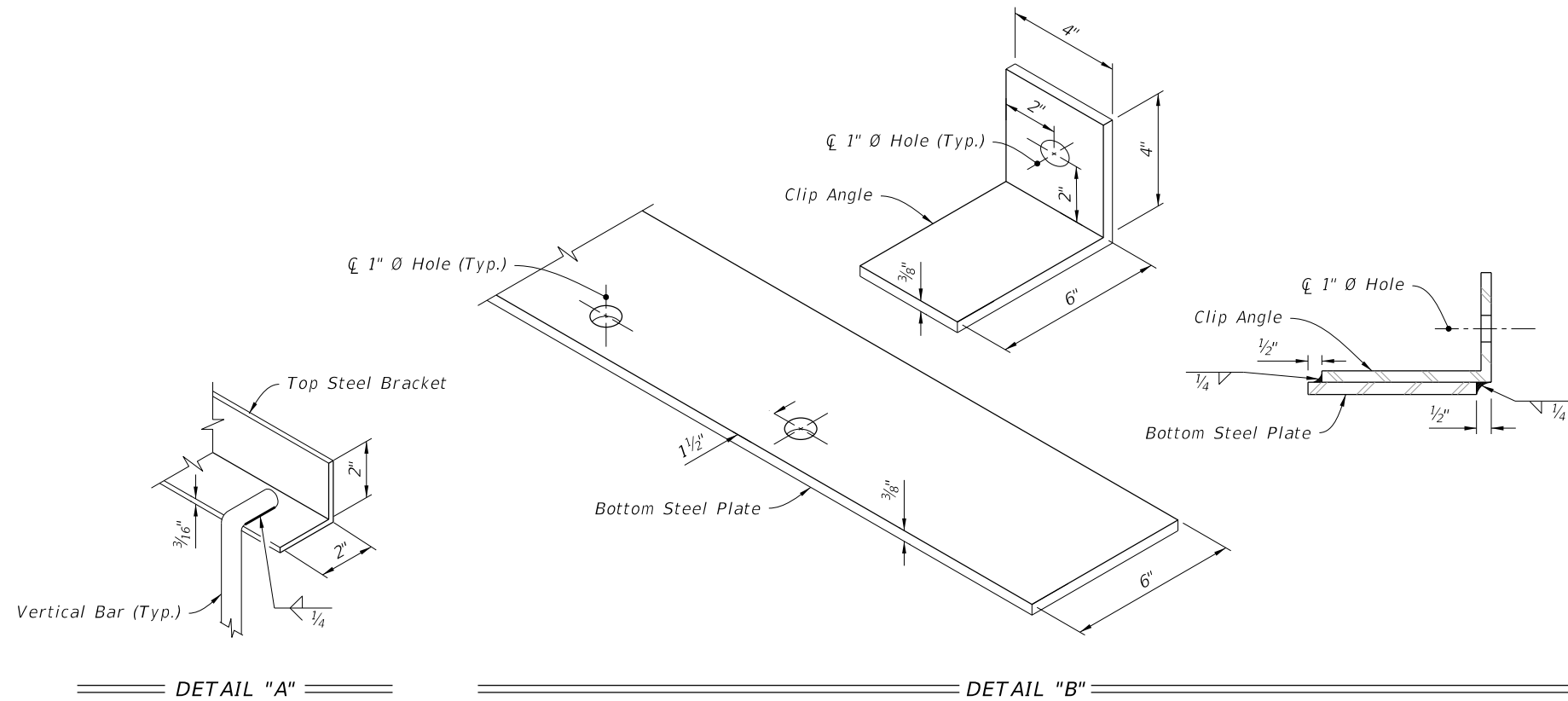


ISOMETRIC VIEW

END ELEVATION

SIDE ELEVATION

SINGLE GUARD
(30" Pipe Shown)



DETAIL "A"

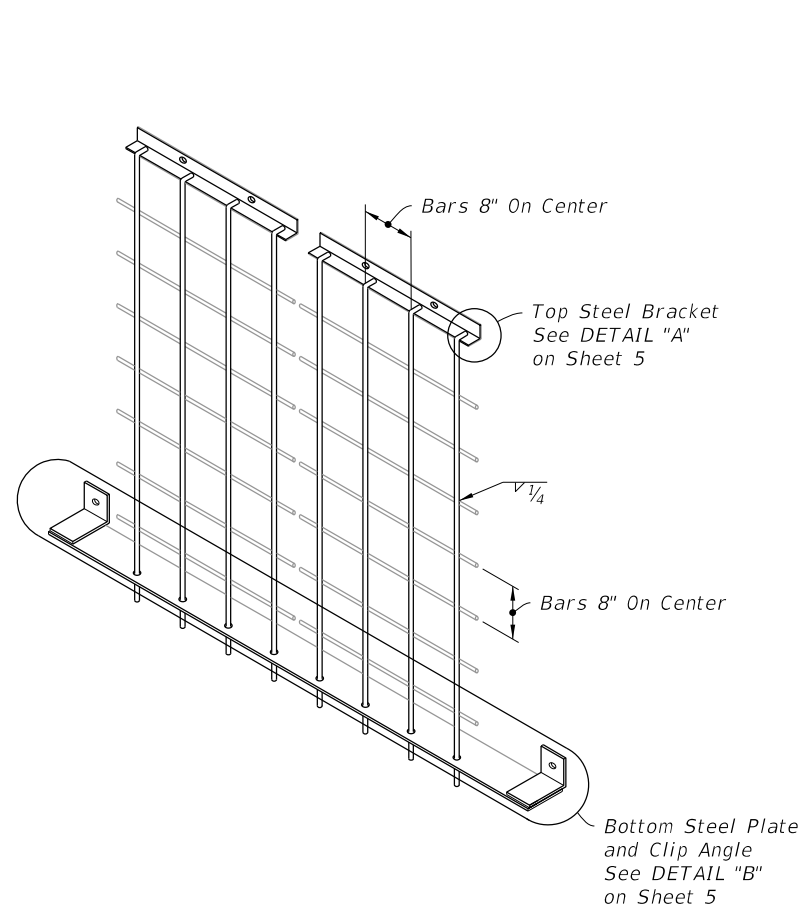
DETAIL "B"

TABLE 2 - SINGLE GUARD								
Pipe Dia. (in)	Top Steel Bracket	Bottom Steel Plate	Number of Holes	Number of Vert. Bars	Vertical Bars Size	Number of Horiz. Bars	Horizontal Bars Size	Weight lbs.
18	2'-4"	3'-6"	4	4	1/2"	1	1/2"	48
24	3'-0"	4'-0"	5	5	1/2"	2	1/2"	58
30	3'-0"	4'-6"	5	5	5/8"	3	5/8"	74
36	3'-8"	5'-0"	6	6	5/8"	4	5/8"	90
42	4'-4"	5'-6"	7	7	5/8"	5	5/8"	111

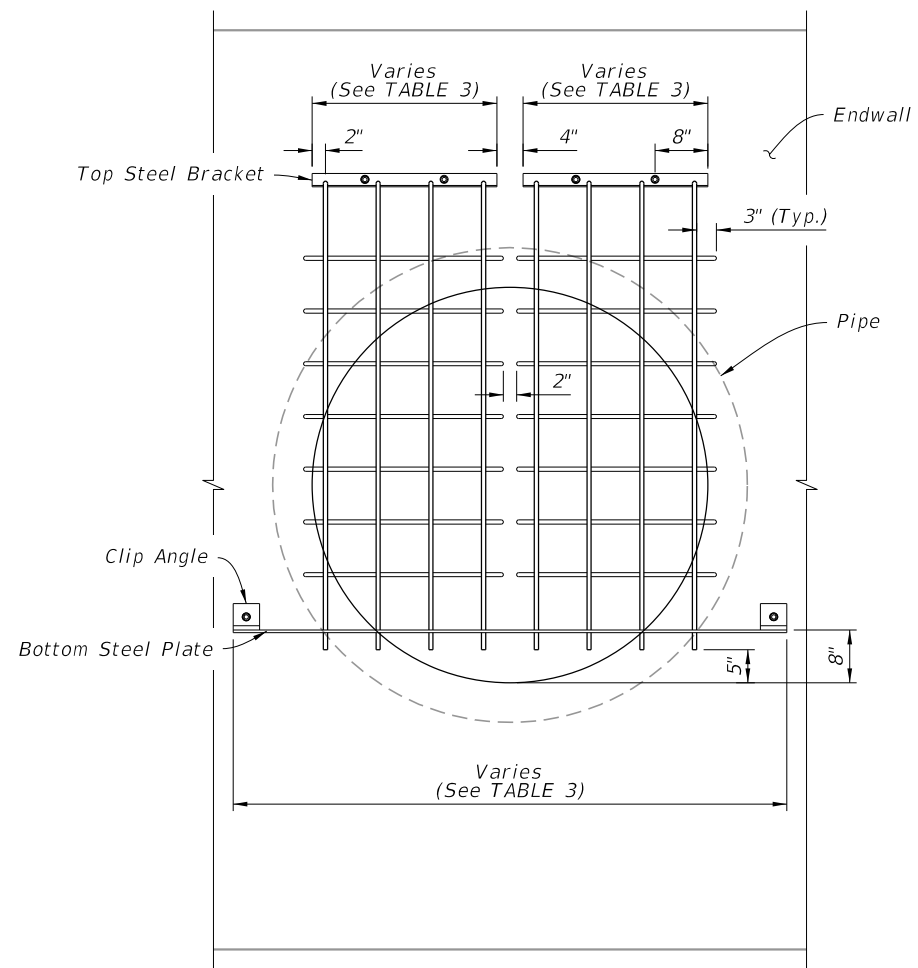
NOTES:

- Construct guards only at locations specifically called for in Plans.
- Anchor Bolts (Galvanized): Use C-I-P Hex Head bolts or fully threaded adhesive anchors, installed in accordance with Specification 416.

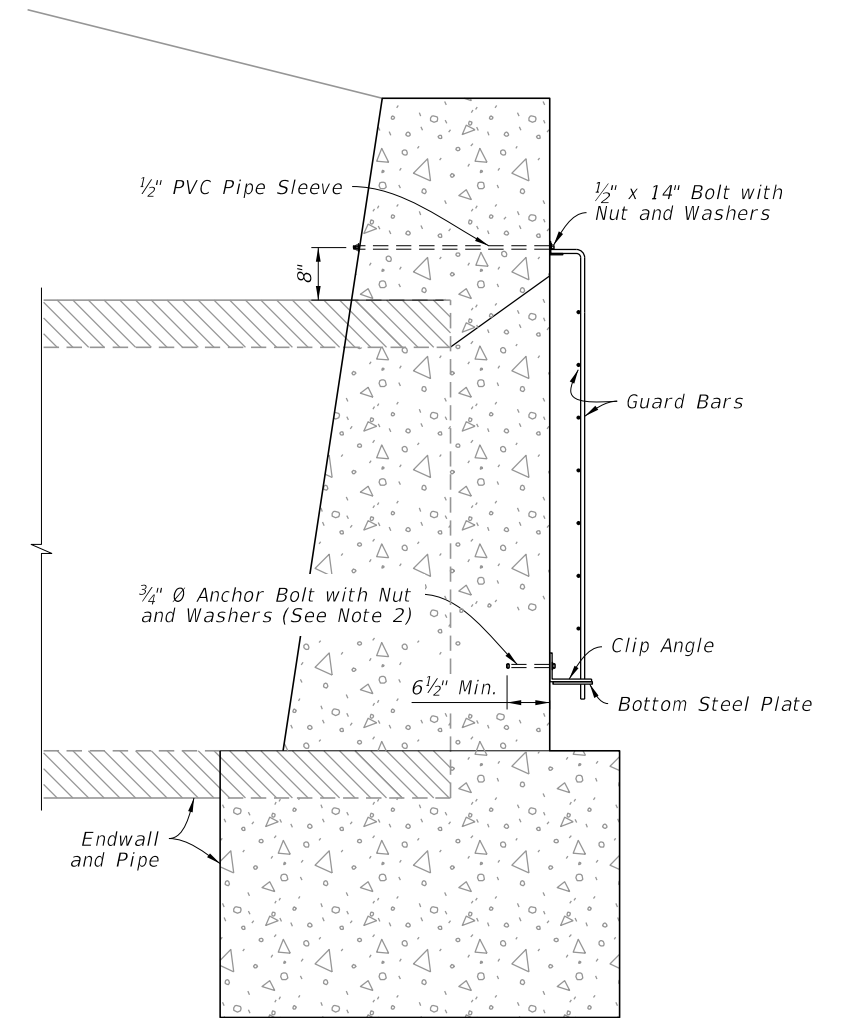
9/26/2025 12:56:49 PM



ISOMETRIC VIEW



END ELEVATION



SIDE ELEVATION

DOUBLE GUARD
(60" Pipe Shown)

NOTES:

1. Construct guards only at locations specifically called for in Plans.
2. Anchor Bolts (Galvanized): Use C-I-P Hex Head bolts or fully threaded adhesive anchors, installed in accordance with Specification 416.

TABLE 3 - DOUBLE GUARD

Pipe Dia. (in)	Top Steel Bracket Grate 1	Top Steel Bracket Grate 2	Bottom Steel Plate	Number of Total Holes	Number of Vert. Bars Grate 1	Number of Vert. Bars Grate 2	Vertical Bars Size	Number of Horiz. Bars (each grate)	Horizontal Bars Size	Weight lbs.
48	2'-4"	2'-4"	6'-0"	8	4	4	5/8"	5	5/8"	127
54	2'-4"	2'-4"	6'-6"	8	4	4	3/4"	6	5/8"	157
60	2'-4"	2'-4"	7'-0"	8	4	4	3/4"	7	5/8"	172

DOUBLE PIPE END GUARD

LAST REVISION 11/01/20	REVISION	DESCRIPTION:
---------------------------	----------	--------------

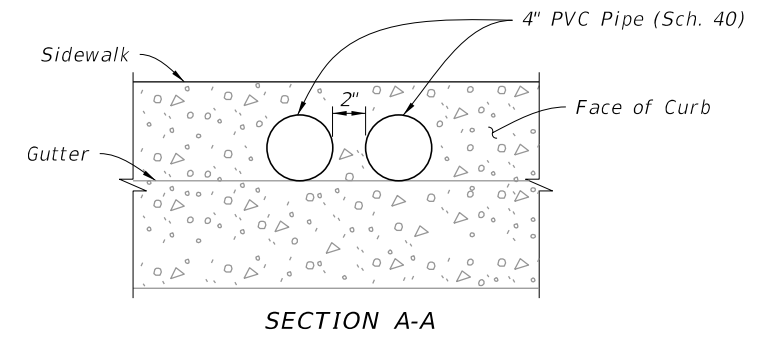
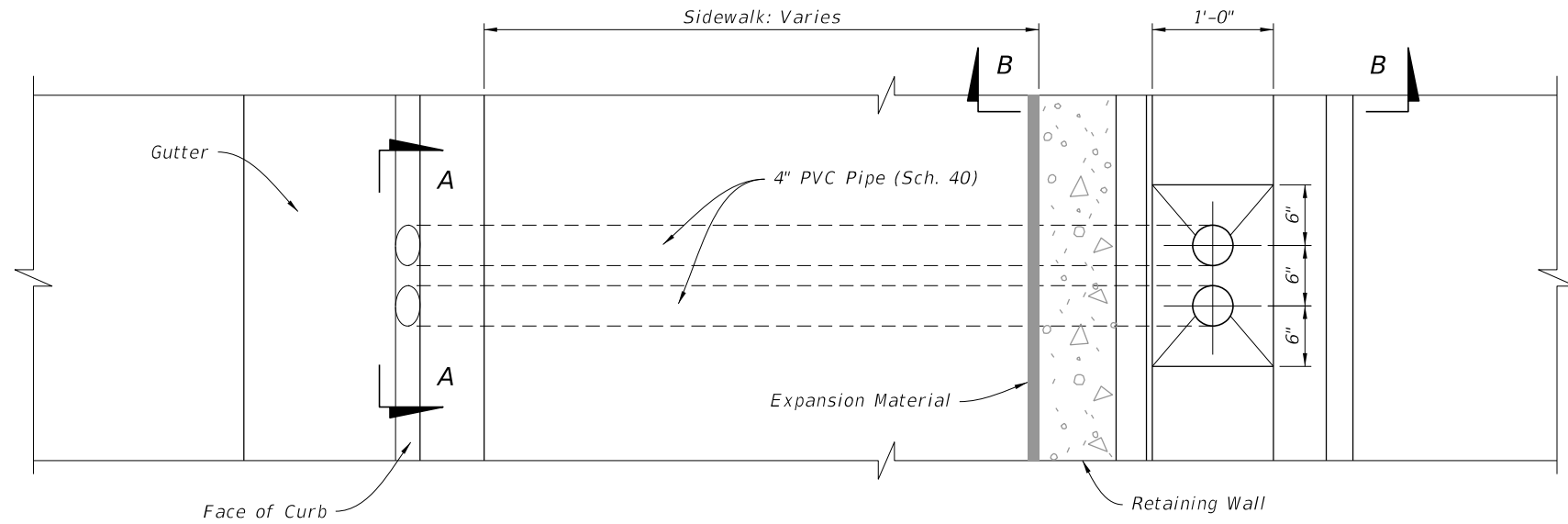


FY 2026-27
STANDARD PLANS

MISCELLANEOUS DRAINAGE DETAILS

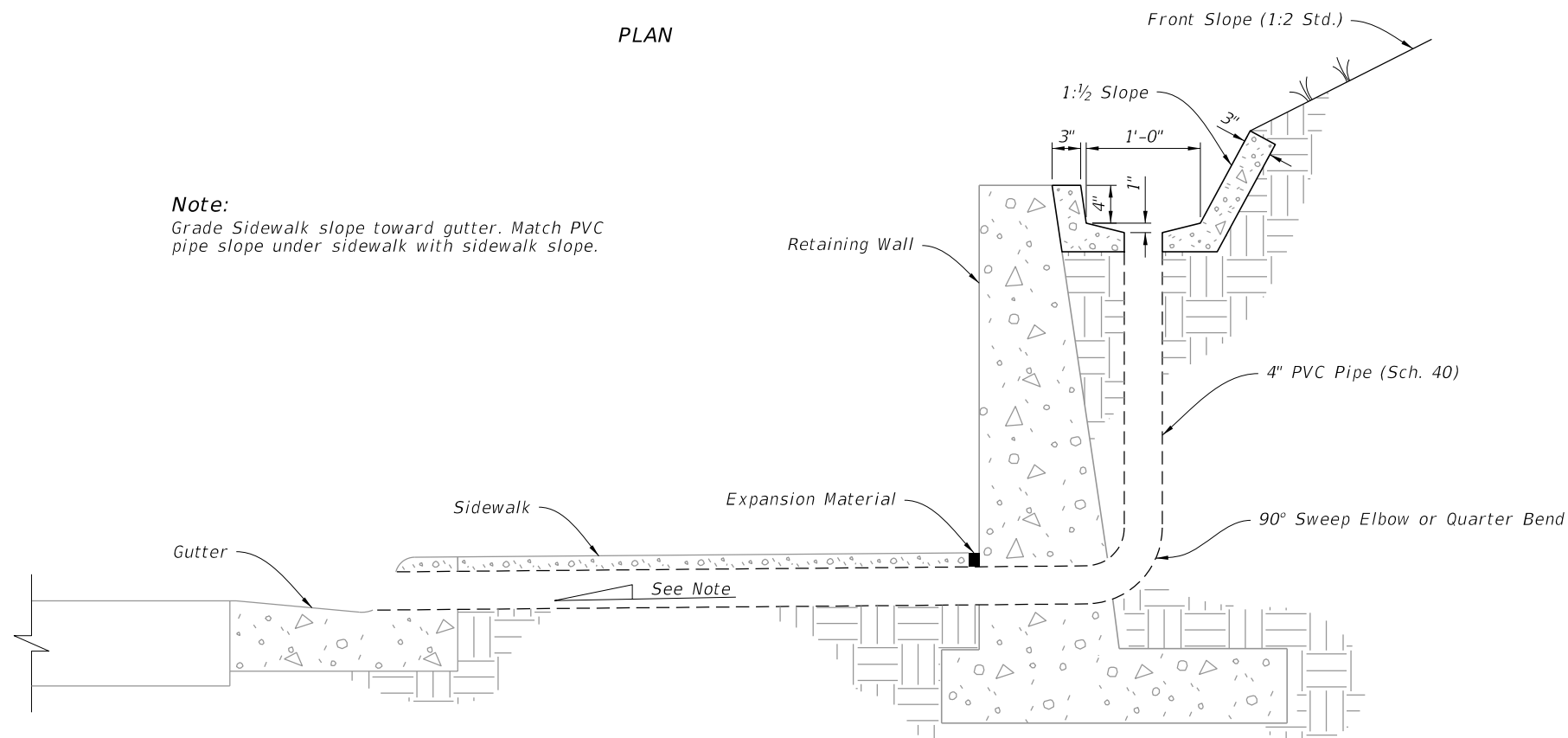
INDEX
430-001

SHEET
6 of 7

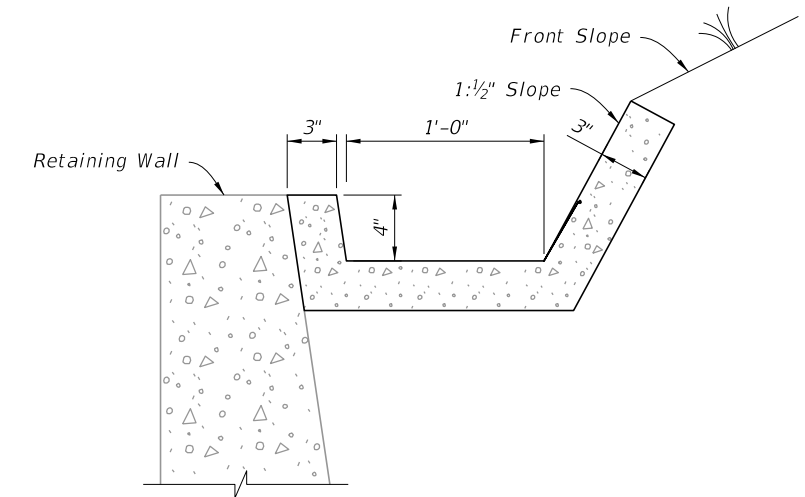


PLAN

Note:
Grade Sidewalk slope toward gutter. Match PVC pipe slope under sidewalk with sidewalk slope.



ELEVATION




SECTION B-B

GUTTER AND DRAINS

RETAINING WALL CONCRETE GUTTER AND DRAINS

9/26/2025 12:57:01 PM

LAST REVISION 11/01/20	REVISION	DESCRIPTION:	 FY 2026-27 STANDARD PLANS	MISCELLANEOUS DRAINAGE DETAILS	INDEX 430-001	SHEET 7 of 7
---------------------------	----------	--------------	--	--------------------------------	------------------	-----------------