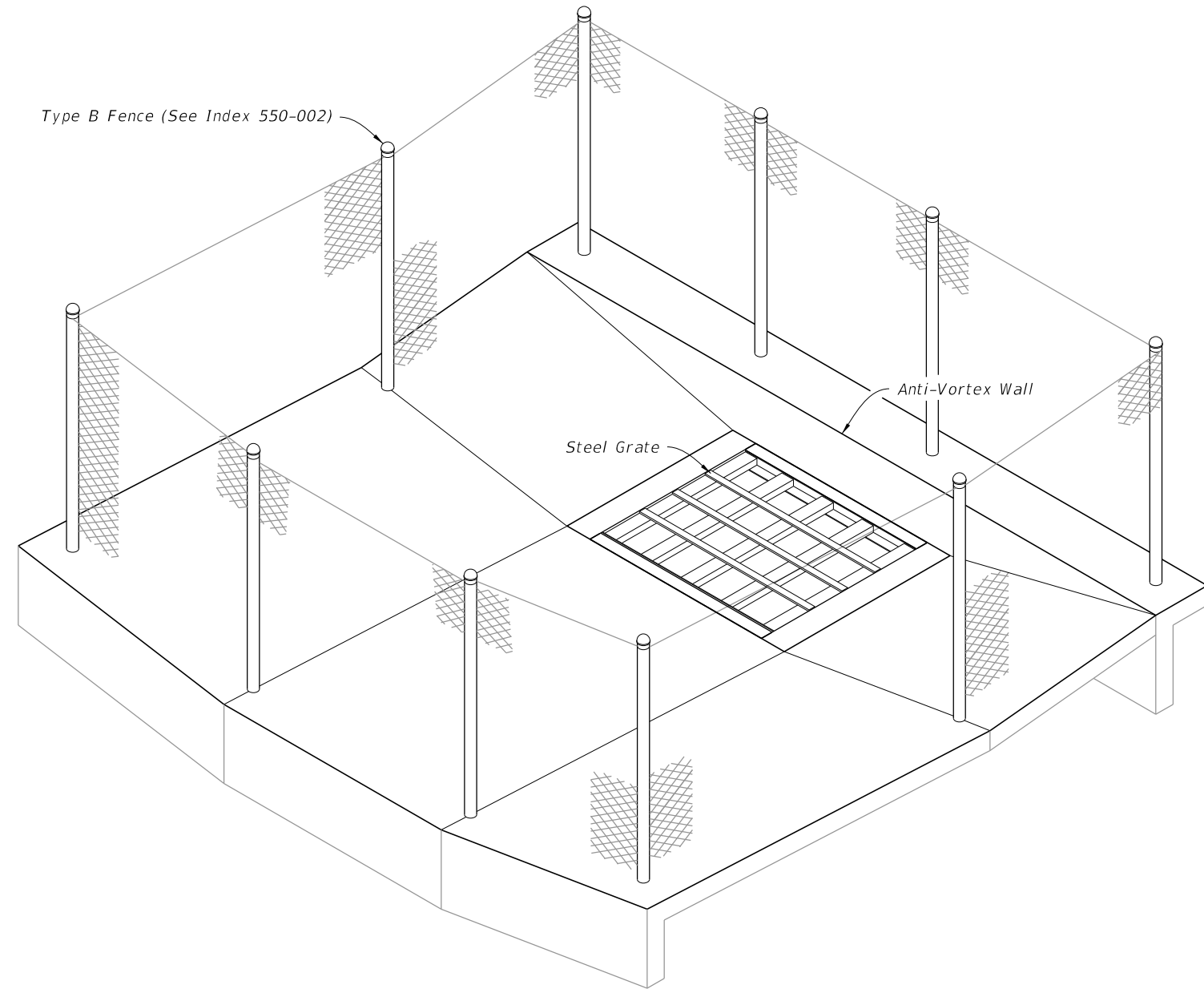


GENERAL NOTES:

1. Work this Index with Index 425-001 and Index 550-002.
2. Chamfer all exposed edges and corners $\frac{3}{4}$ " or tooled to $\frac{1}{4}$ " radius.
3. Use Class II concrete for inlet and anti-vortex wall.
4. Use Grade 60 reinforcing bars with 2" minimum cover unless otherwise noted. See Index 425-001 for equivalent area of welded wire reinforcing (WWR). Cut or bend bars for 1 $\frac{1}{2}$ " clearance around pipe opening. Bend top and corner bars to clear anchor holes.
5. Channel section C 3x6 at 14" max. bar spacing may be used as an alternate for the C 4x5.4 channel at 15" bar spacing.
6. Channels and bars for grate are ASTM A242/A242M, A572/A572M or A588/A588M, Grade 50 steel, and galvanized in accordance with Specification 975.
7. Use Fence Type B for fence enclosure (Index 550-002). Install all posts in concrete. A minimum of 10 posts required. Use 3" nominal diameter posts for corner and approach side posts.
8. Anchor Bolts are ASTM F1554 Grade 36 fully threaded headless bolts, installed in accordance with Specifications 416 and 937. Nuts are ASTM A563 or A194 and washers are ASTM F436 or Type A plain washers. Galvanize all nuts, bolts and washers.
9. Quantities are for informational and estimating purposes only.

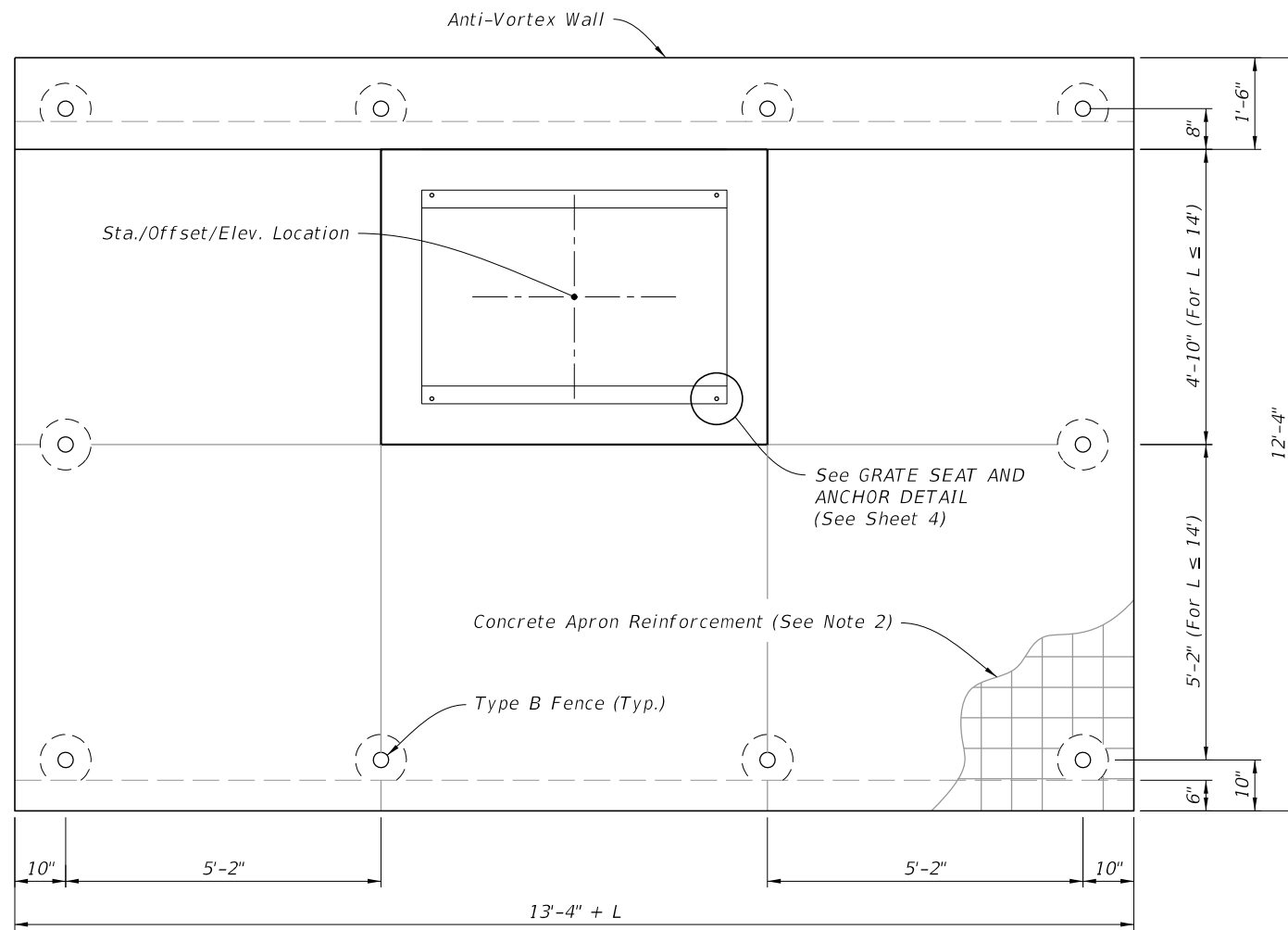


===== INLET FENCE ENCLOSURE =====

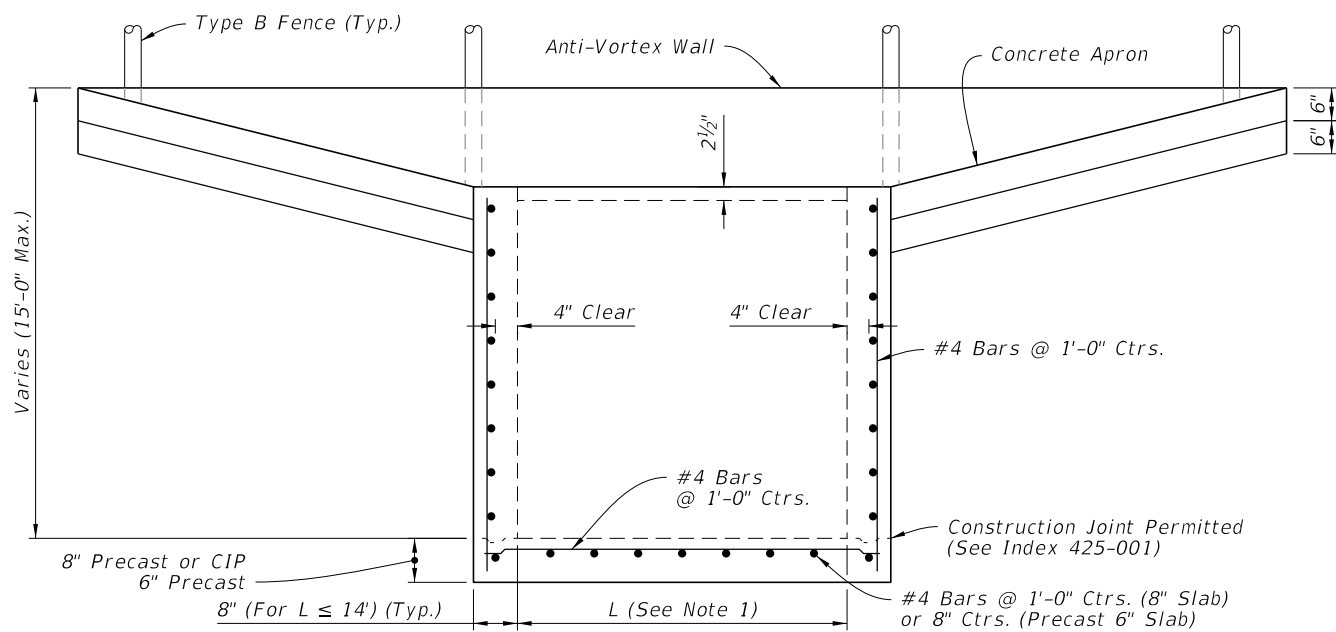
TABLE OF CONTENTS:

| Sheet | Description |
|-------|---|
| 1 | General Notes and Contents |
| 2 | Inlet Lengths (L) Less Than or Equal to 9' |
| 3 | Inlet Lengths (L) Greater Than or Equal to 9' |
| 4 | Steel Grate Details |

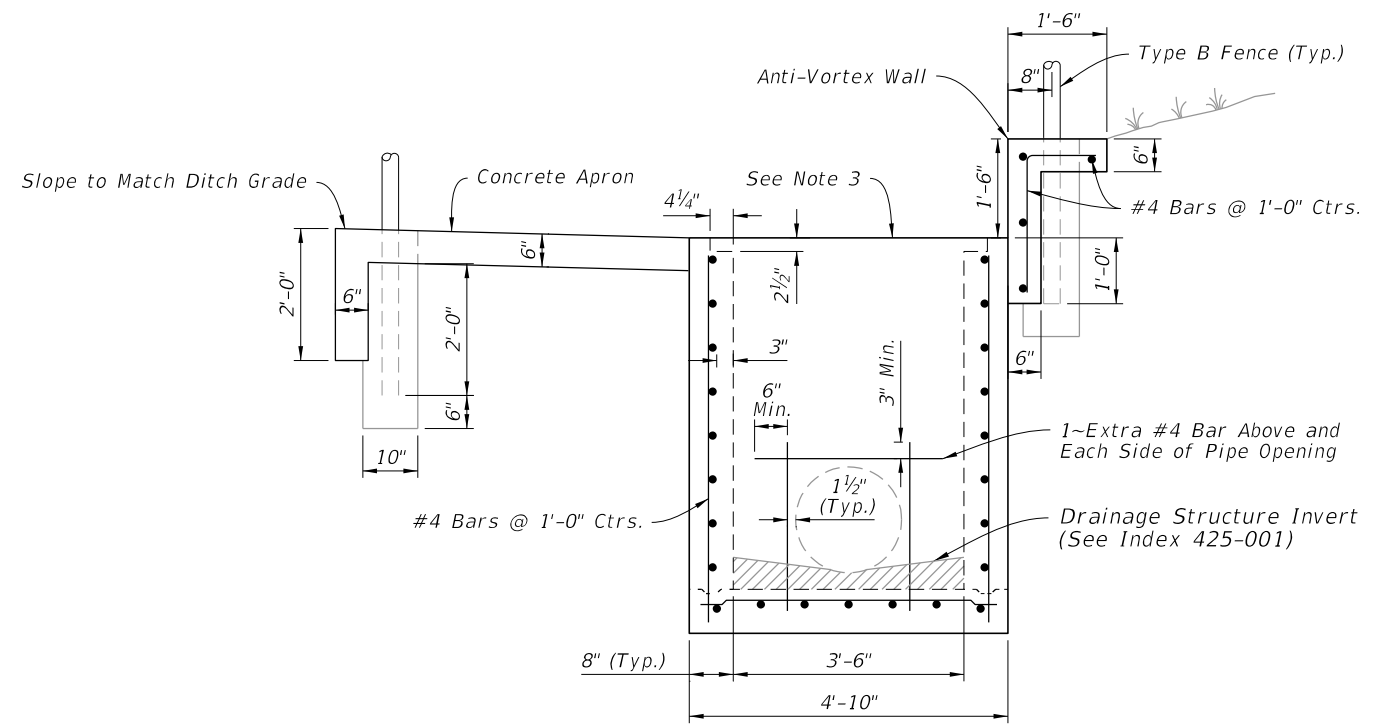
9/26/2025 12:52:14 PM



PLAN



(See Note 4)
FRONT ELEVATION



SIDE ELEVATION

TABLE 1
SINGLE LAYER REINFORCING
Horizontal Wall Reinforcing Schedules

| WALL DEPTH | SCH. | AREA (in ² /ft) | MAX. SPACING | |
|-----------------|------|----------------------------|--------------|-----|
| | | | BARS | WWR |
| SIZE: L = 5'-0" | | | | |
| 0'-5' | A12 | 0.20 | 12" | 8" |
| 5'-8' | A6 | 0.20 | 6" | 5" |
| 8'-15' | B5.5 | 0.24 | 5 1/2" | 5" |
| SIZE: L = 6'-0" | | | | |
| 0'-4' | A12 | 0.20 | 12" | 8" |
| 4'-6' | B5.5 | 0.24 | 5 1/2" | 5" |
| 6'-9' | C6.5 | 0.37 | 6 1/2" | 6" |
| 9'-15' | C3.5 | 0.37 | 3 1/2" | 3" |
| SIZE: L = 7'-0" | | | | |
| 0'-4' | B5.5 | 0.24 | 5 1/2" | 5" |
| 4'-7' | C6.5 | 0.37 | 6 1/2" | 6" |
| 7'-15' | D4.5 | 0.53 | 4 1/2" | 4" |
| SIZE: L = 8'-0" | | | | |
| 0'-3' | B5.5 | 0.24 | 5 1/2" | 5" |
| 3'-5' | C6.5 | 0.37 | 6 1/2" | 6" |
| 5'-9' | D4.5 | 0.53 | 4 1/2" | 4" |
| 9'-15' | E5 | 0.73 | 5" | 4" |
| SIZE: L = 9'-0" | | | | |
| 0'-4' | C6.5 | 0.37 | 6 1/2" | 6" |
| 4'-7' | D4.5 | 0.53 | 4 1/2" | 4" |
| 7'-15' | E3 | 0.73 | 3" | 3" |

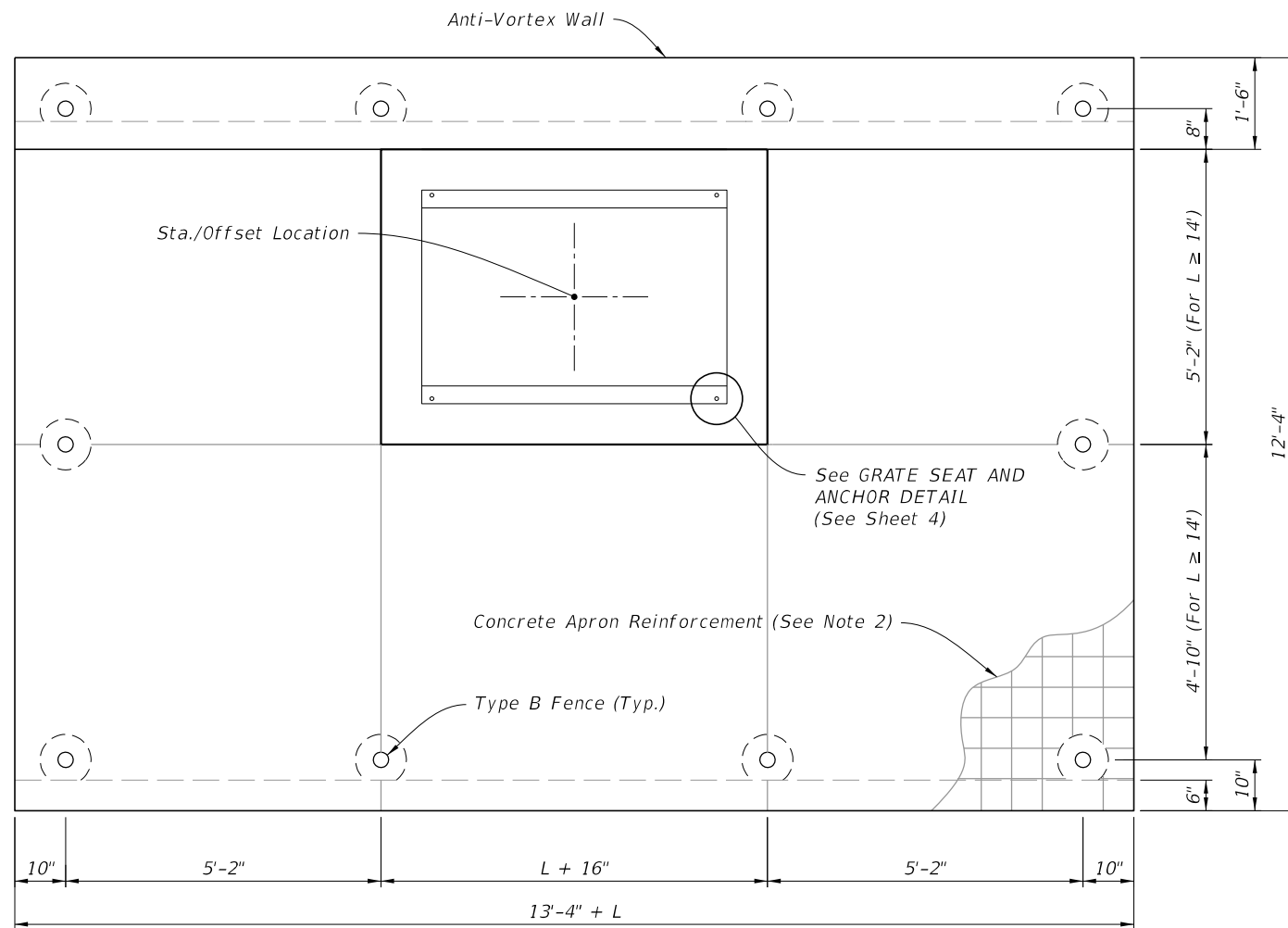
NOTES:

1. See Plans for Inlet length (L).
2. Use 6"x6" 10/10 welded wire reinforcing.
3. Grate not shown.
4. Pipe opening not shown.

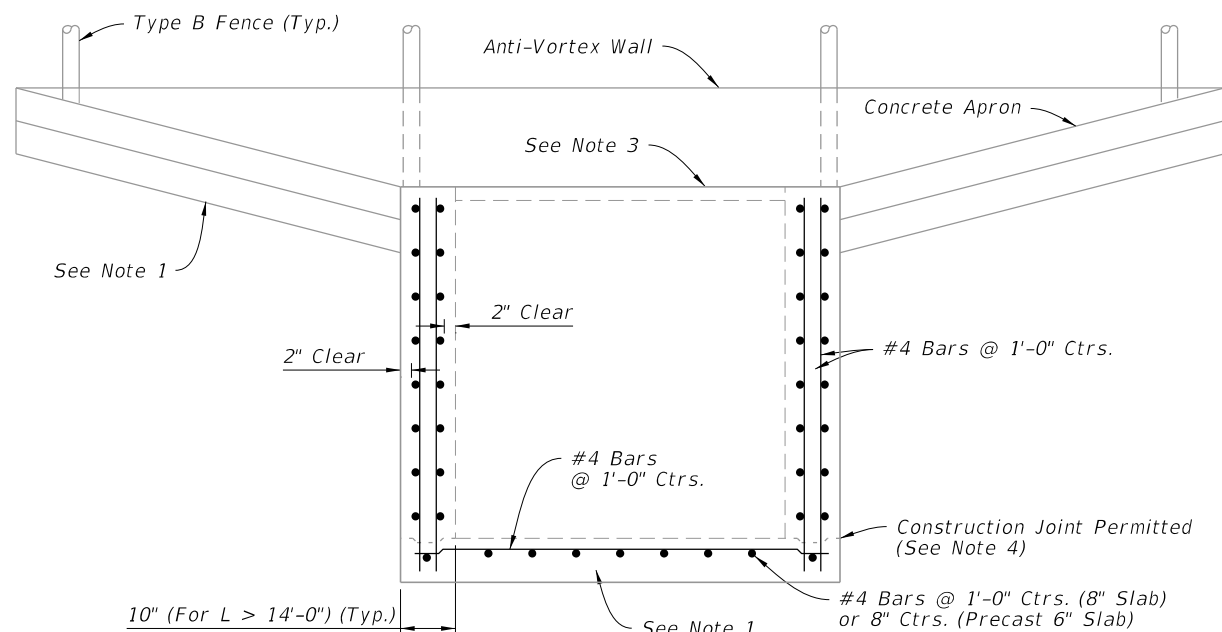
INLET LENGTHS (L) LESS THAN OR EQUAL TO 9'

9/26/2025 12:52:20 PM

| | | | | | | | |
|---------------------------|----------|--------------|--|------------------------------|---------------------------|------------------|-----------------|
| LAST REVISION 11/01/20 | REVISION | DESCRIPTION: | | FY 2026-27 STANDARD PLANS | DITCH BOTTOM INLET TYPE K | INDEX 425-055 | SHEET 2 of 4 |
|---------------------------|----------|--------------|--|------------------------------|---------------------------|------------------|-----------------|



PLAN



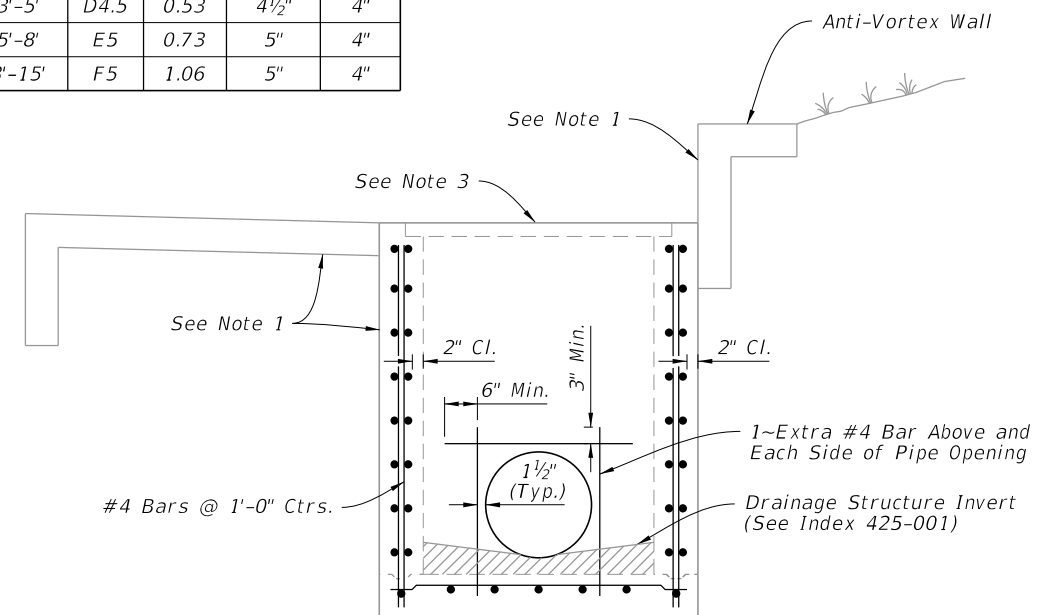
(See Note 5)
FRONT ELEVATION

TABLE 2
DOUBLE LAYER REINFORCING
Horizontal Wall Reinforcing Schedules

| WALL DEPTH | SCH. | AREA (in ² /ft) | MAX. SPACING BARS | WWR |
|-----------------------------------|------|----------------------------|-------------------|-----|
| SIZE: L = 9'-0" | | | | |
| 0'-4" | A12 | 0.20 | 12" | 8" |
| 4'-6" | A6 | 0.20 | 6" | 5" |
| 6'-8" | B5.5 | 0.24 | 5½" | 5" |
| 8'-15" | C6.5 | 0.37 | 6½" | 6" |
| SIZE: L = 10'-0" | | | | |
| 0'-3" | A12 | 0.20 | 12" | 8" |
| 3'-5" | A6 | 0.20 | 6" | 5" |
| 5'-8" | C6.5 | 0.37 | 6½" | 6" |
| 8'-15" | C3.5 | 0.37 | 3½" | 3" |
| SIZE: L = 12'-0" | | | | |
| 0'-4" | B5.5 | 0.24 | 5½" | 5" |
| 4'-6" | C6.5 | 0.37 | 6½" | 6" |
| 6'-15" | D4.5 | 0.53 | 4½" | 4" |
| SIZE: L = 14'-0" | | | | |
| 0'-4" | C6.5 | 0.37 | 6½" | 6" |
| 4'-7" | D4.5 | 0.53 | 4½" | 4" |
| 7'-15" | E5 | 0.73 | 5" | 4" |
| SIZE: L = 16'-0" x 10" WALL THICK | | | | |
| 0'-4" | C6.5 | 0.37 | 6½" | 6" |
| 4'-8" | D4.5 | 0.53 | 4½" | 4" |
| 8'-15" | E5 | 0.73 | 5" | 4" |
| SIZE: L = 18'-0" x 10" WALL THICK | | | | |
| 0'-3" | C6.5 | 0.37 | 6½" | 6" |
| 3'-5" | D4.5 | 0.53 | 4½" | 4" |
| 5'-8" | E5 | 0.73 | 5" | 4" |
| 8'-15" | F5 | 1.06 | 5" | 4" |

NOTE:

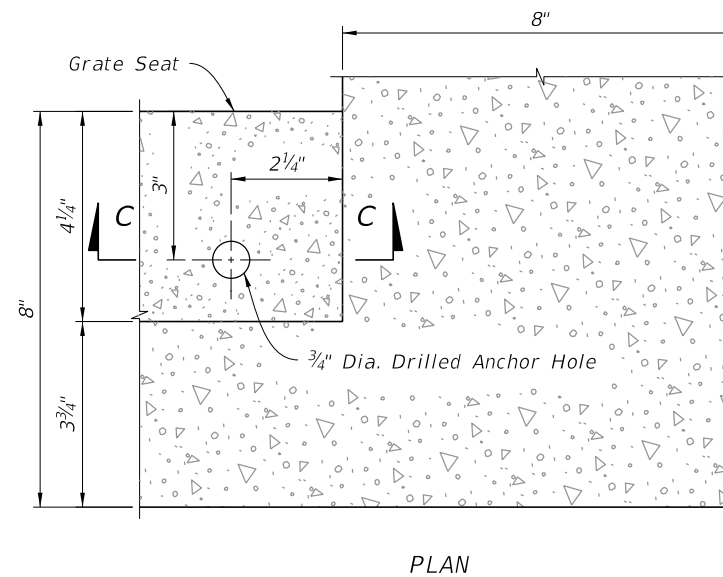
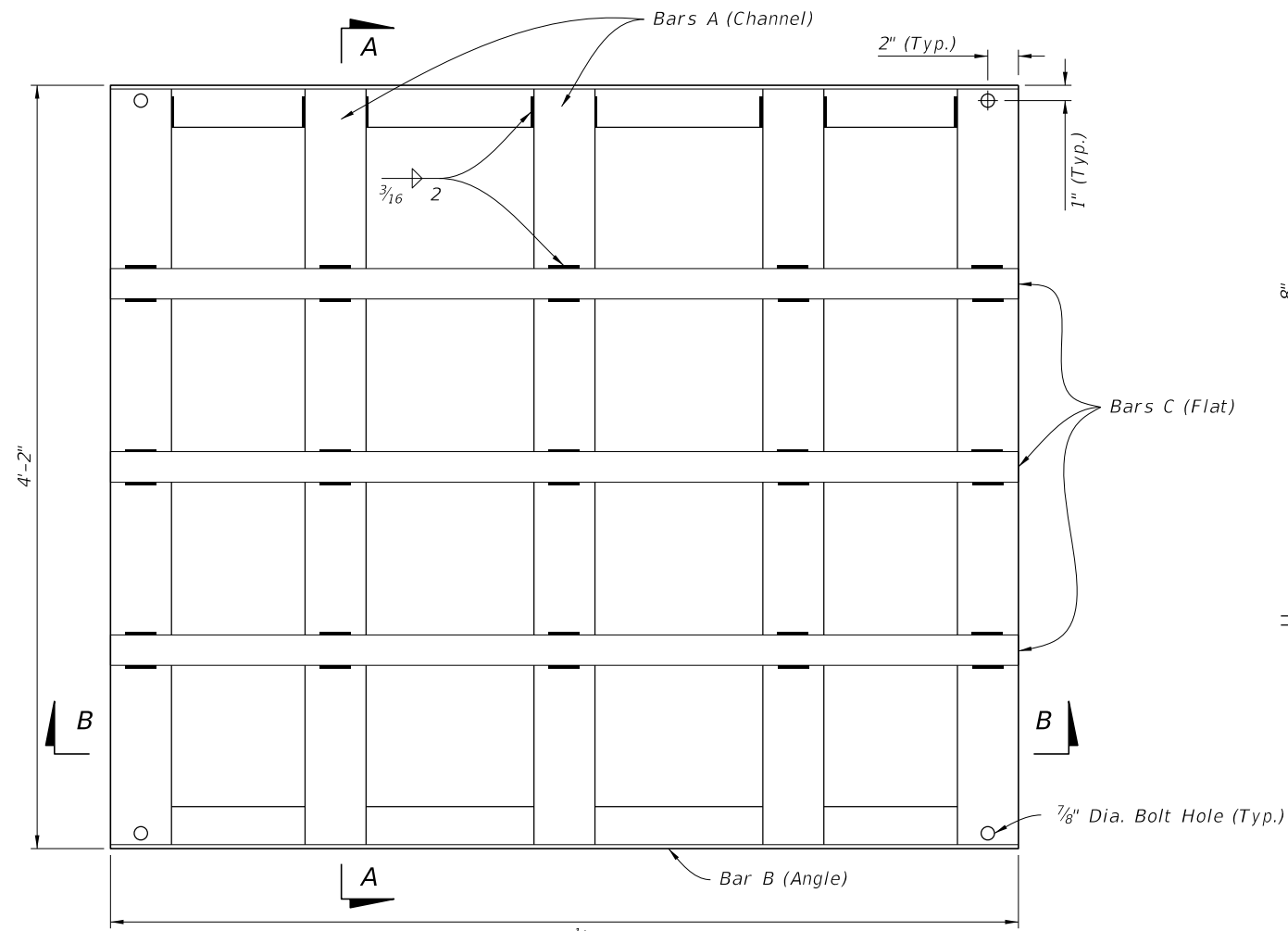
1. See Sheet 2 for dimension details.
2. Use 6"x6" 10/10 welded wire reinforcing.
3. Grate not shown.
4. See Index 425-001 for construction joint details.
5. Pipe Opening not shown.



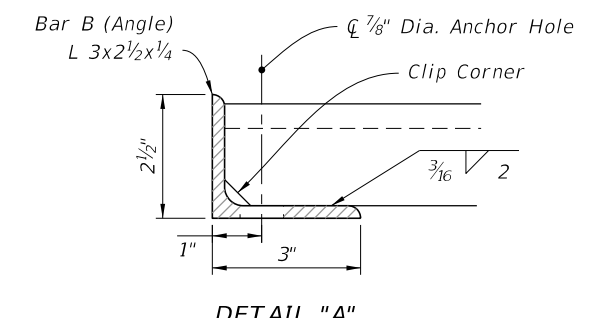
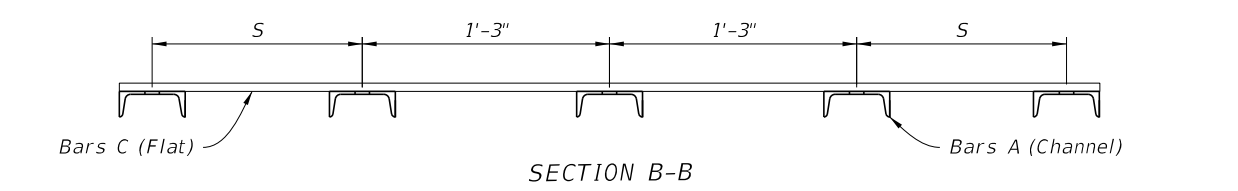
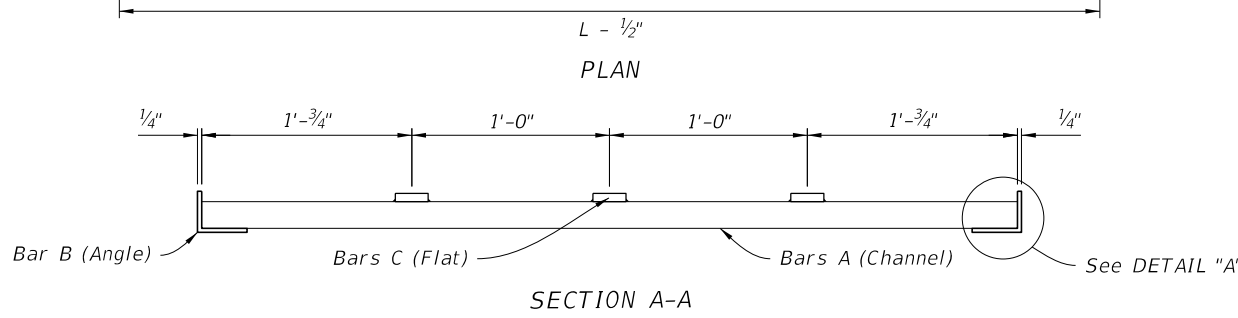
SIDE ELEVATION

INLET LENGTHS (L) GREATER THAN OR EQUAL TO 9'

9/26/2025 12:52:26 PM



GRATE SEAT AND ANCHOR DETAILS



- NOTES:**
1. See Sheet 2 for dimension "L" location.
 2. See Section B-B for dimension "S" location.

| PIPE SIZE | L See Note 1 | S | BILL OF STEEL | | STEEL WEIGHT | | | |
|-----------|-----------------|---------|---------------|-----------|--------------|------------------------|--|----------------------------------|
| | | | BAR | No. REQD. | LENGTH | CHANNEL 4" x 5.4 lb | ANGLE 3" x 2 1/2" x 1/4" (4.5 lb/ft) | FLAT 2" x 1/2" (3.4 lb/ft) |
| 30" & 36" | 5'-0" | 12 3/4" | A | 5 | 4'-1 1/2" | 111 | 45 | 51 |
| | | | B | 2 | 4'-11 1/2" | | | |
| | | | C | 3 | 4'-11 1/2" | | | |
| 42" & 48" | 6'-0" | 11 1/4" | A | 6 | 4'-1 1/2" | 134 | 54 | 61 |
| | | | B | 2 | 5'-11 1/2" | | | |
| | | | C | 3 | 5'-11 1/2" | | | |
| 54" & 60" | 7'-0" | 9 3/4" | A | 7 | 4'-1 1/2" | 156 | 63 | 71 |
| | | | B | 2 | 6'-11 1/2" | | | |
| | | | C | 3 | 6'-11 1/2" | | | |
| 66" & 72" | 8'-0" | 8 1/4" | A | 8 | 4'-1 1/2" | 178 | 72 | 81 |
| | | | B | 2 | 7'-11 1/2" | | | |
| | | | C | 3 | 7'-11 1/2" | | | |
| 84" | 9'-0" | 14 1/4" | A | 8 | 4'-1 1/2" | 178 | 81 | 91 |
| | | | B | 2 | 8'-11 1/2" | | | |
| | | | C | 3 | 8'-11 1/2" | | | |
| SPECIAL | 10'-0" | 12 3/4" | A | 9 | 4'-1 1/2" | 201 | 90 | 102 |
| | | | B | 2 | 9'-11 1/2" | | | |
| | | | C | 3 | 9'-11 1/2" | | | |
| SPECIAL | 12'-0" | 9 3/4" | A | 11 | 4'-1 1/2" | 245 | 108 | 122 |
| | | | B | 2 | 11'-11 1/2" | | | |
| | | | C | 3 | 11'-11 1/2" | | | |
| SPECIAL | 14'-0" | 14 1/4" | A | 12 | 4'-1 1/2" | 267 | 126 | 142 |
| | | | B | 2 | 13'-11 1/2" | | | |
| | | | C | 3 | 13'-11 1/2" | | | |
| SPECIAL | 16'-0" | 11 1/4" | A | 14 | 4'-1 1/2" | 312 | 144 | 163 |
| | | | B | 2 | 15'-11 1/2" | | | |
| | | | C | 3 | 15'-11 1/2" | | | |
| SPECIAL | 18'-0" | 8 1/4" | A | 16 | 4'-1 1/2" | 356 | 162 | 183 |
| | | | B | 2 | 17'-11 1/2" | | | |
| | | | C | 3 | 17'-11 1/2" | | | |

STEEL GRATE DETAILS

9/26/2025 12:52:32 PM