

**GENERAL NOTES:**

1. Work this Index with Index 425-001 and Index 425-010.
2. Orient grate with vanes directed toward predominant flow.
3. Provide 1¼" minimum cover for steel in slab tops unless otherwise shown. Tops may be either cast-in-place or precast concrete.
4. Place top slab openings such that 2 edges of inlet frame will be located directly above bottom wall or riser wall for Alternate B applications.
5. When used on a structure with dimensions larger than those detailed on Sheet 3 and risers are not applied, construct the top slab using Index 425-010 with the slab opening adjusted to 24"x36". The "Special Top Slab" on Index 425-010 is not permitted.
6. Frame may be adjusted with one to six courses of brick.
7. Vaned grates with approximately equal openings that satisfy AASHTO HL-93 loading are permitted. Provide reversible (right or left) grates.

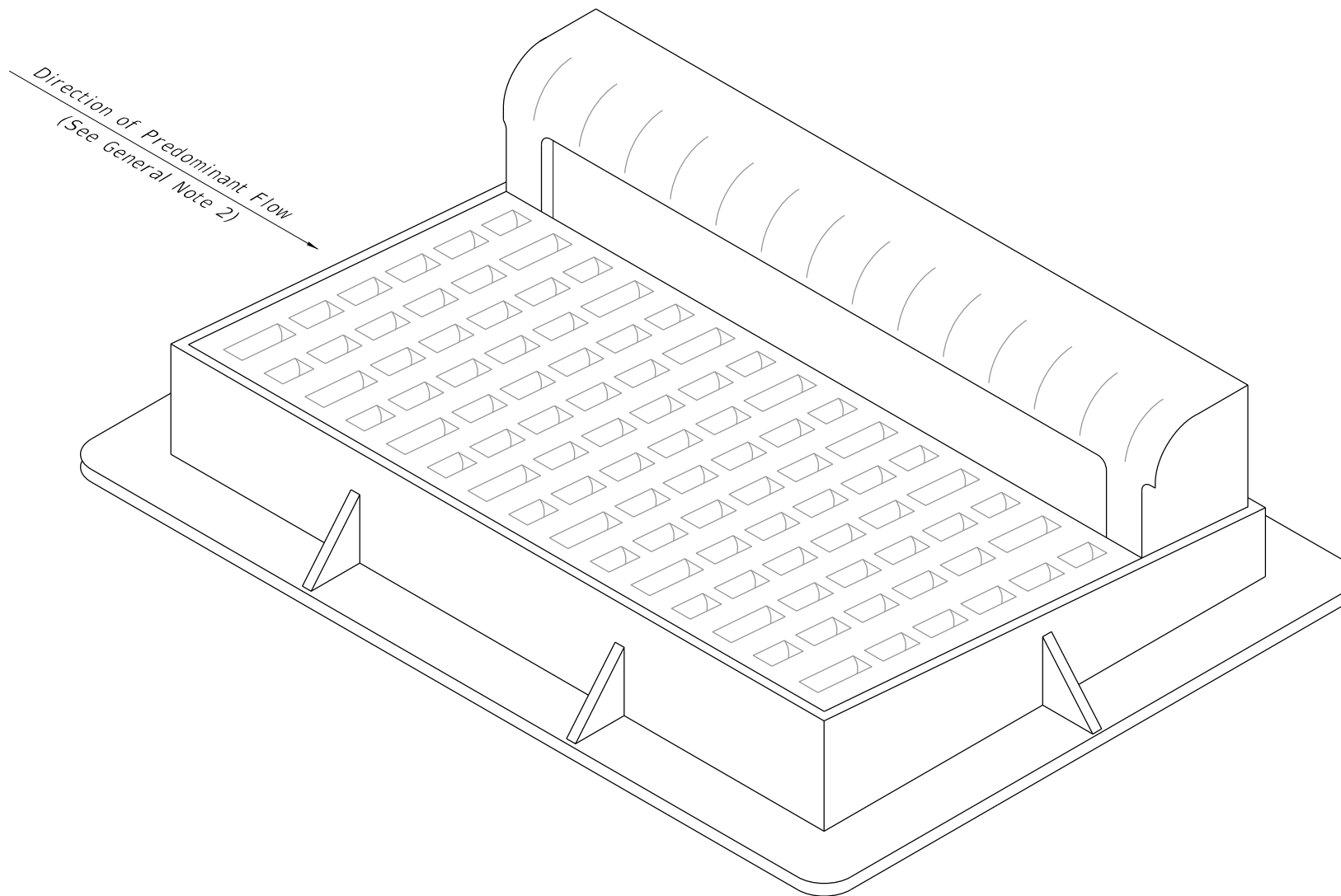
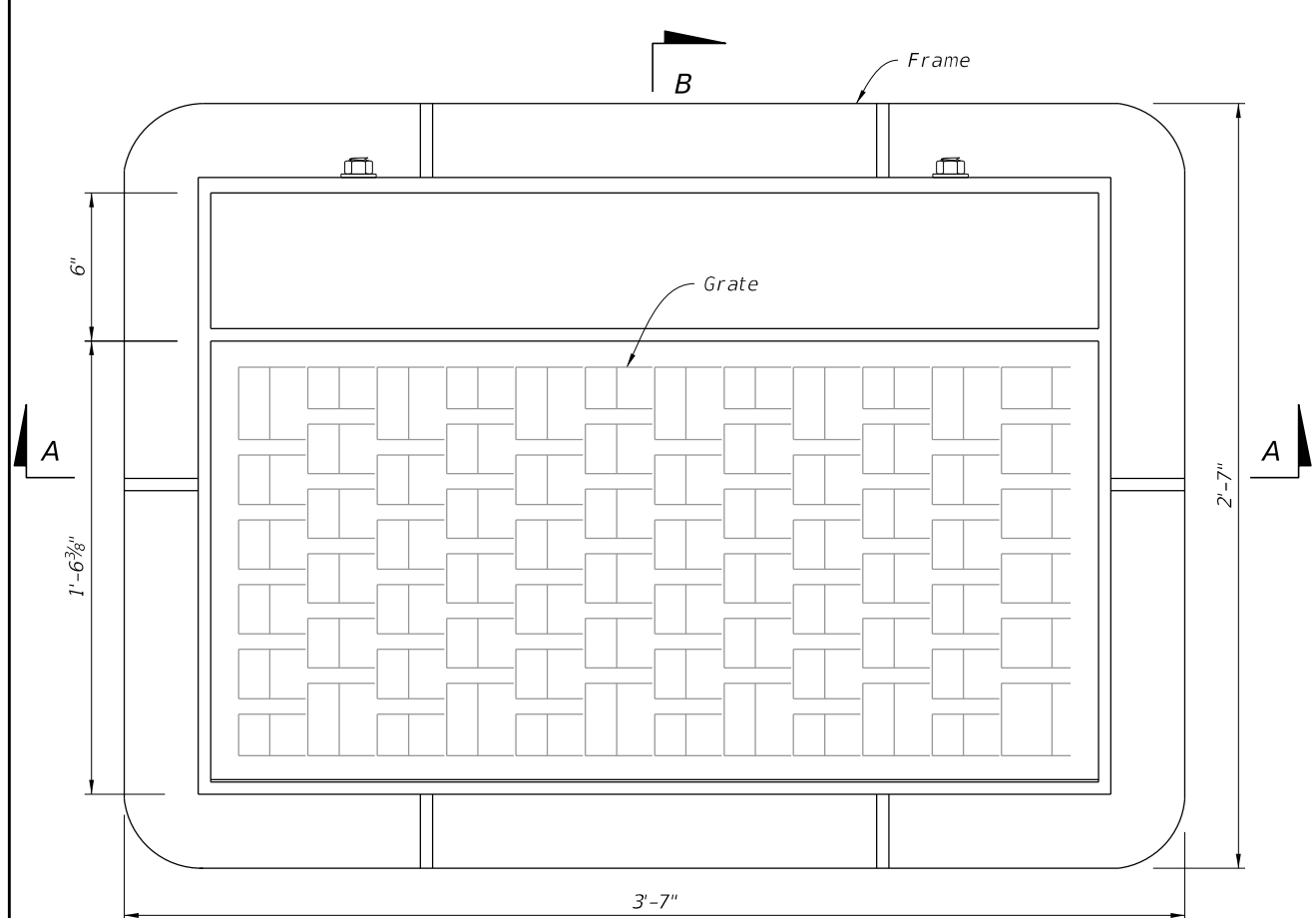


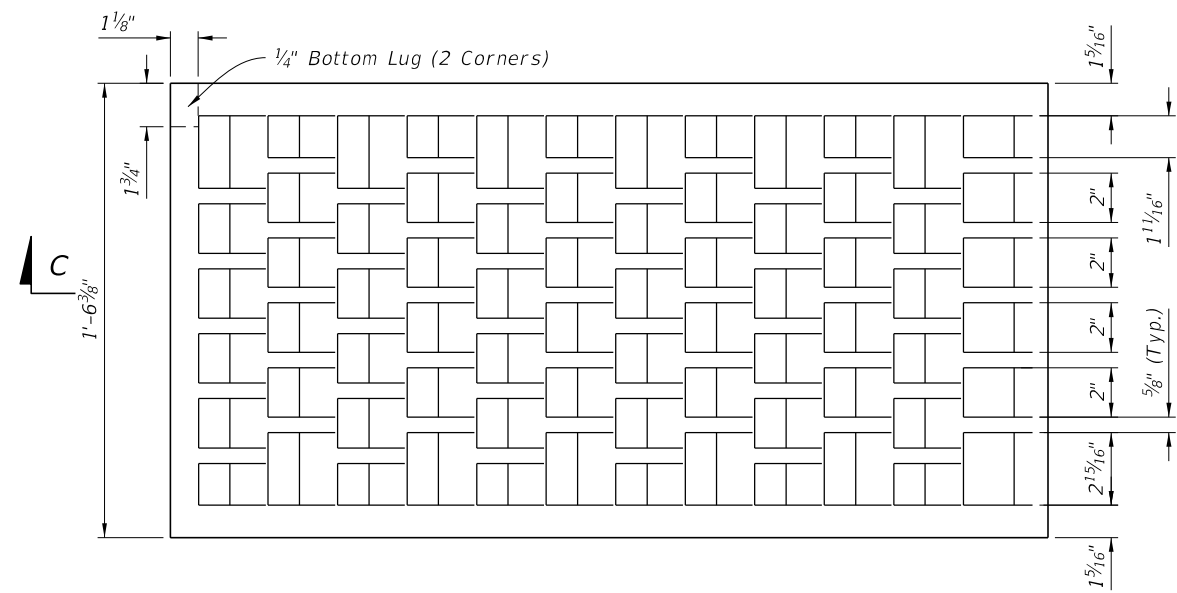
TABLE OF CONTENTS:	
Sheet	Description
1	General Notes and Contents
2	Frame and Grate Details
3	Top Slab Details

==== CURB INLET TOP TYPE 9 =====

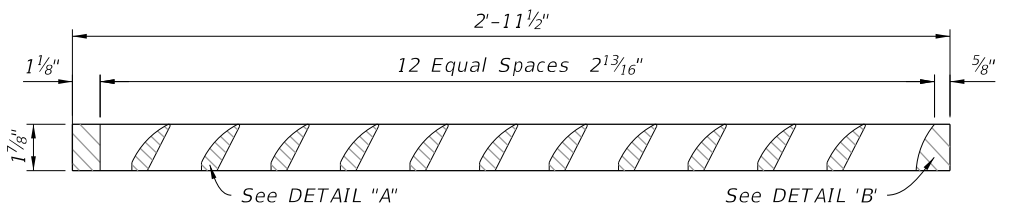
9/26/2025 11:50:26 AM



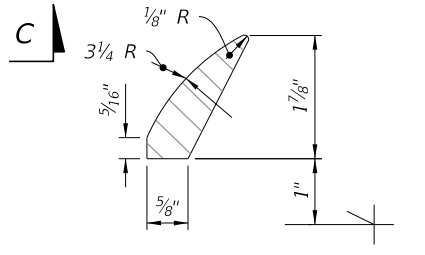
PLAN



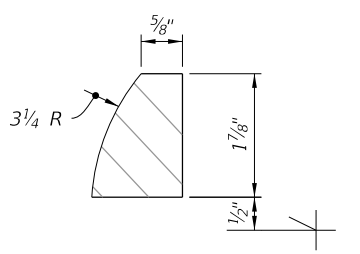
PLAN



SECTION C-C

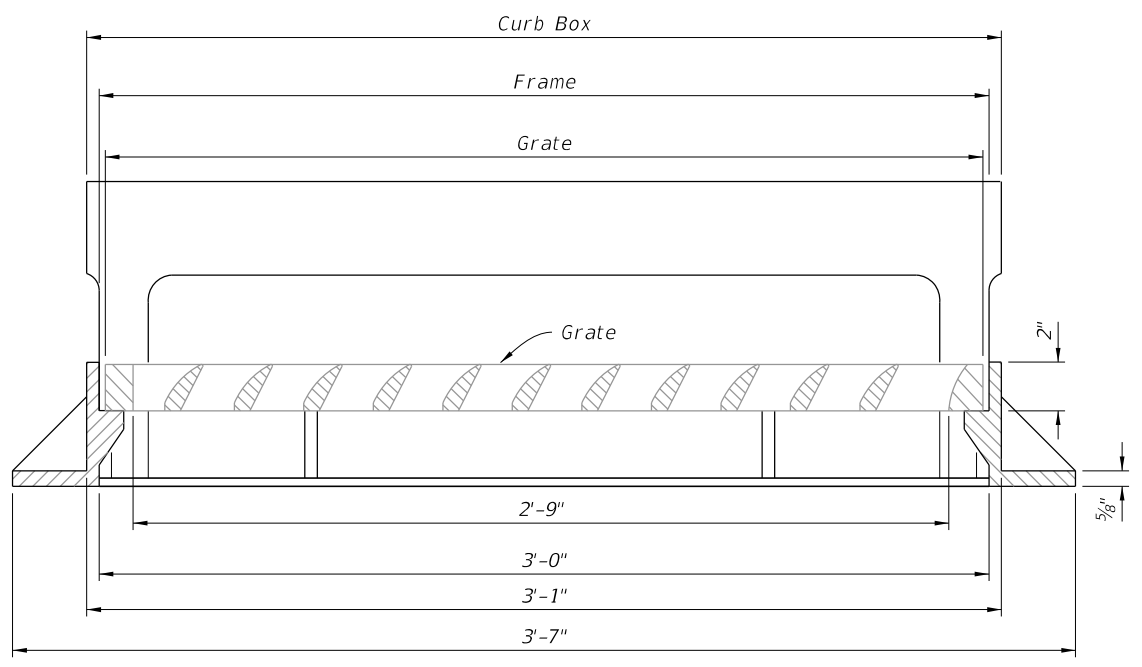


DETAIL "A"

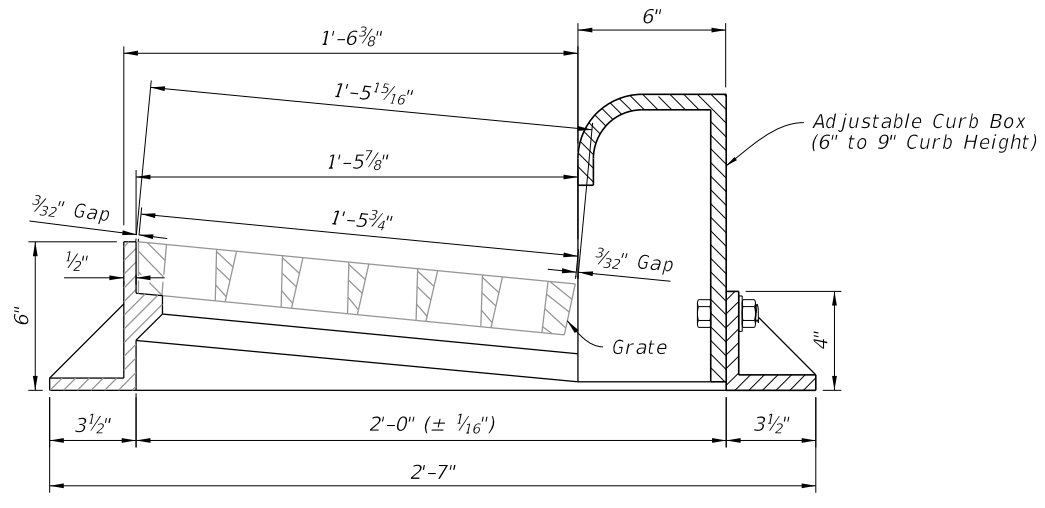


DETAIL "B"

GRATE DETAILS



SECTION A-A



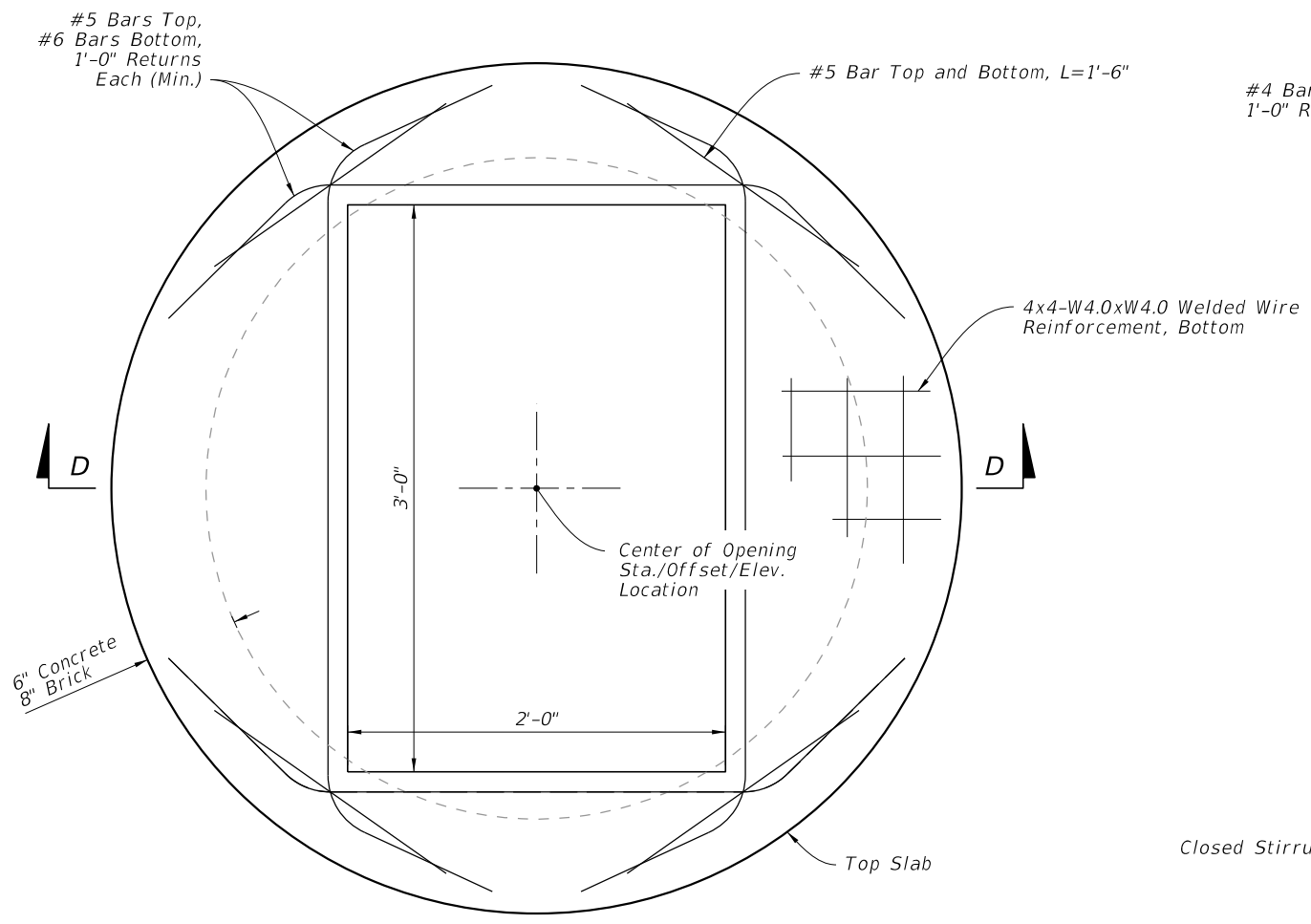
SECTION B-B

FRAME AND GRATE DETAILS

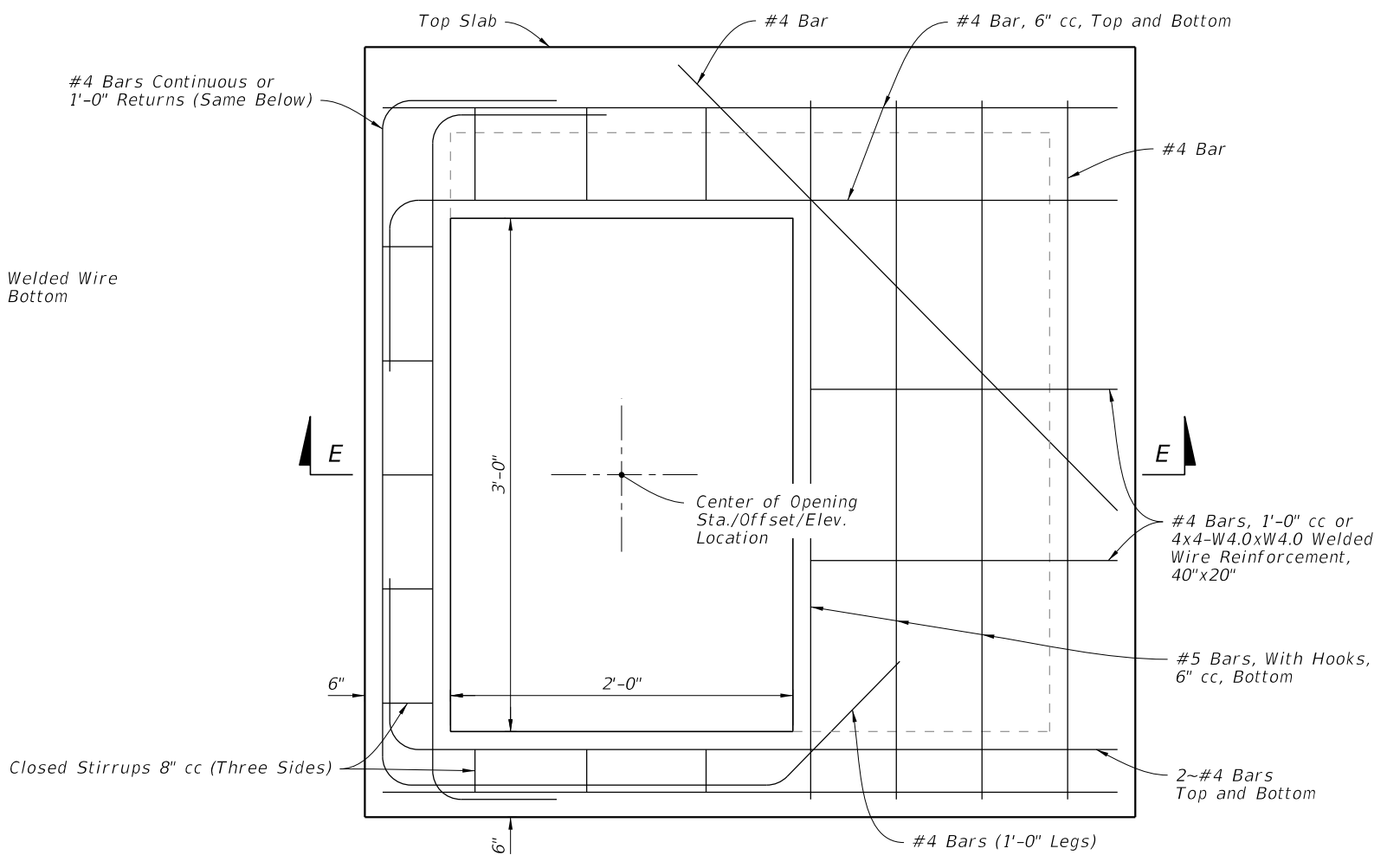
FRAME AND GRATE DETAILS

9/26/2025 11:50:32 AM

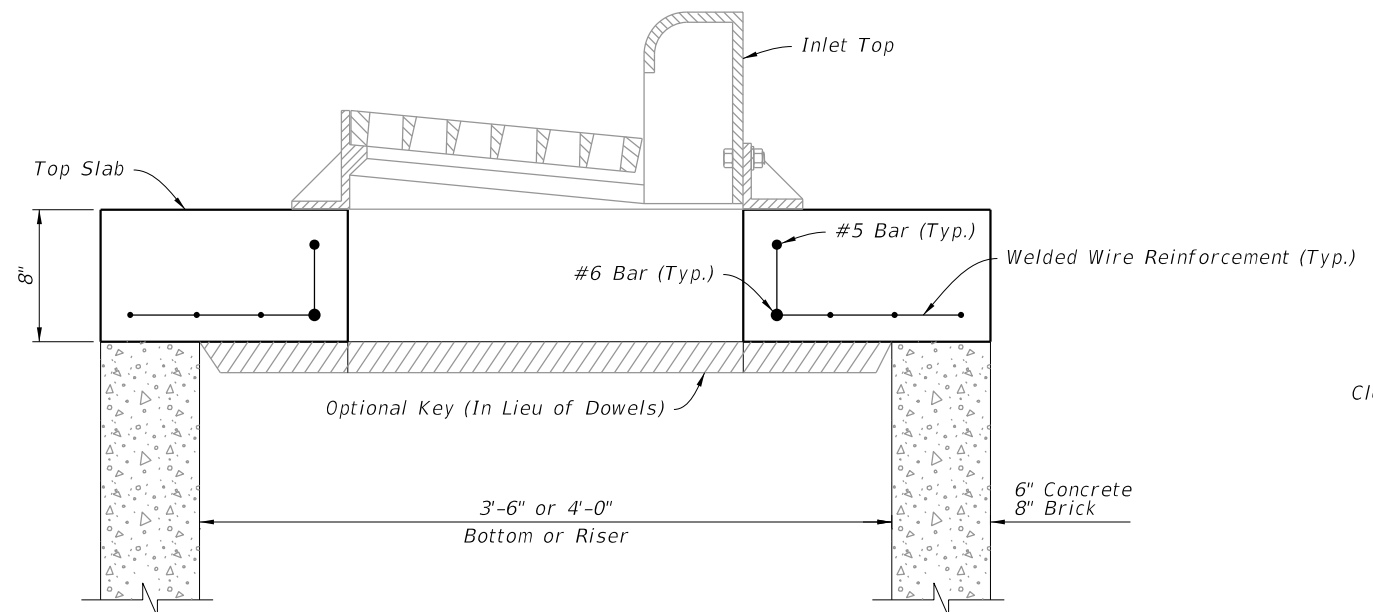
LAST REVISION 11/01/20	DESCRIPTION:		FY 2026-27 STANDARD PLANS	CURB INLET TYPE 9	INDEX	SHEET
					425-024	2 of 3



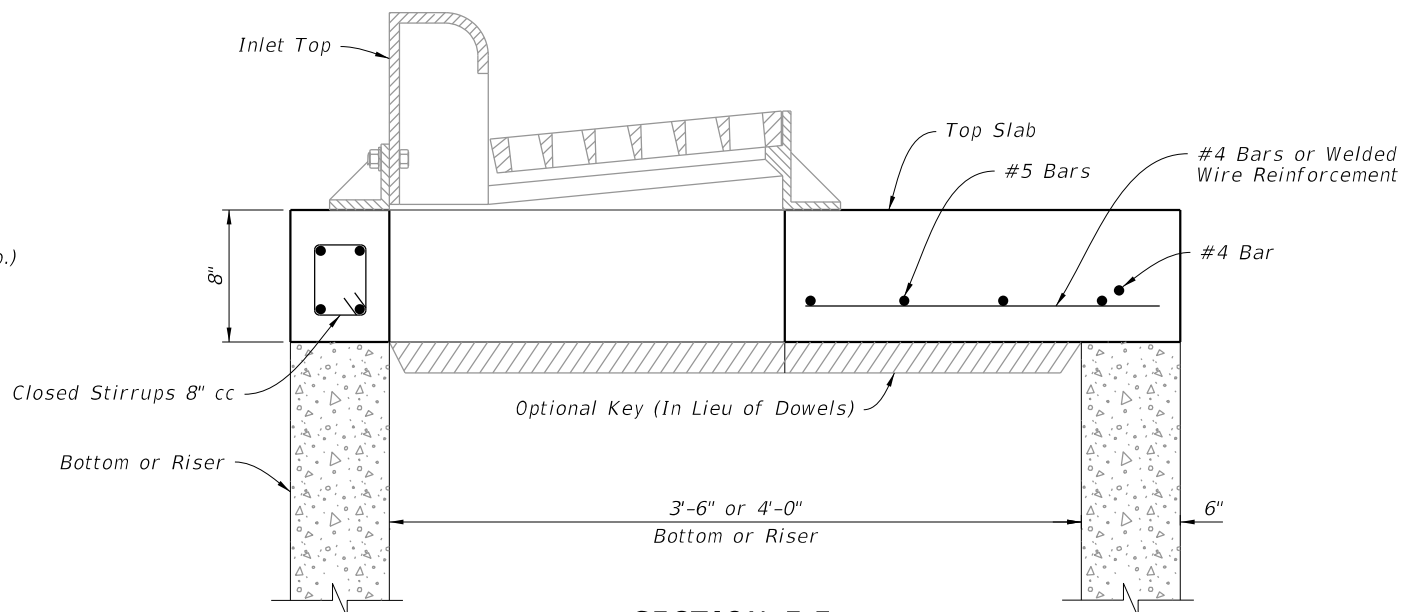
PLAN



PLAN



SECTION D-D



SECTION E-E

TOP SLAB DETAILS

9/26/2025 11:50:38 AM

LAST REVISION 11/01/20	DESCRIPTION:
---------------------------	--------------



FY 2026-27  
STANDARD PLANS

CURB INLET TYPE 9

INDEX  
425-024

SHEET  
3 of 3