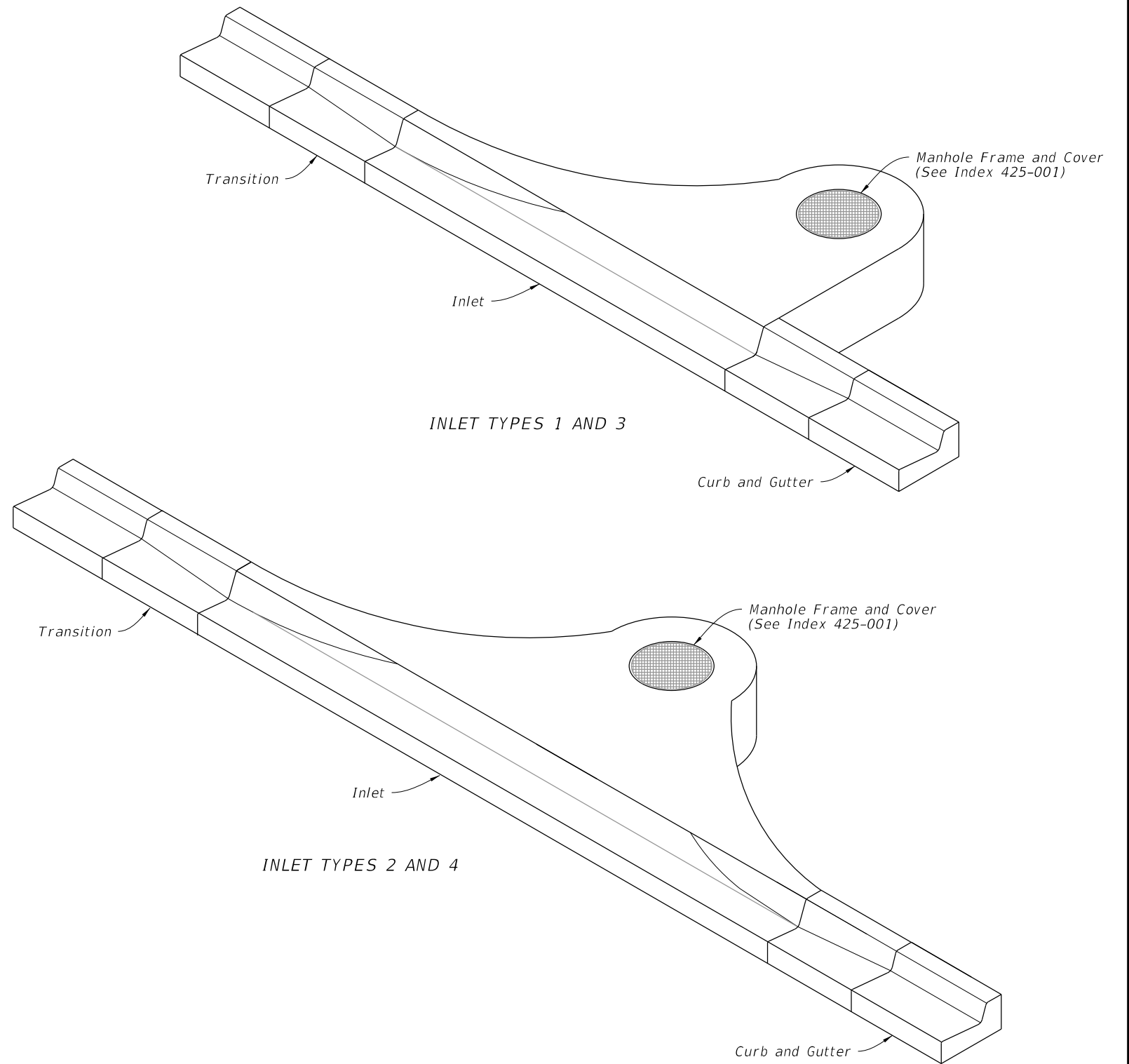


GENERAL NOTES:

1. Work this Index with Index 425-001 and Index 425-010.
2. Conform finished grade and slope of the Inlet Tops to the finished cross slope and grade of the adjacent sidewalk and/or border.
3. Provide 1 1/4" minimum cover for steel in the Inlet Top.
4. Construction of Inlet Tops are either precast or cast-in-place.
5. For precast units, the rear wall and apron may be precast as a separate piece from the top slab. Provide a minimum of 7 ~ #4 dowels, otherwise install in accordance with Index 425-001 "OPTIONAL CONSTRUCTION JOINTS".
6. These inlets are designed for use with standard curb and gutter Type E and Type F.
7. Use only round concrete support posts.

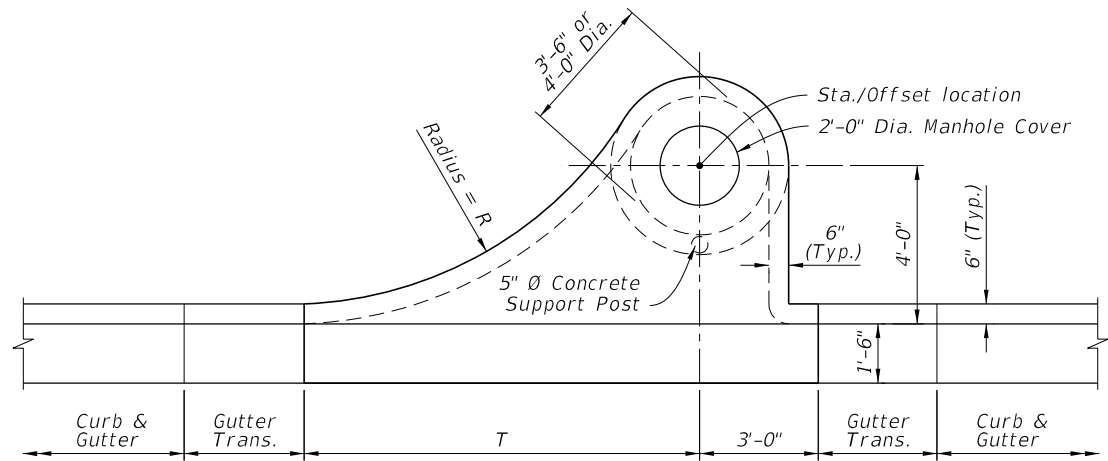


==== CURB INLET TOPS =====

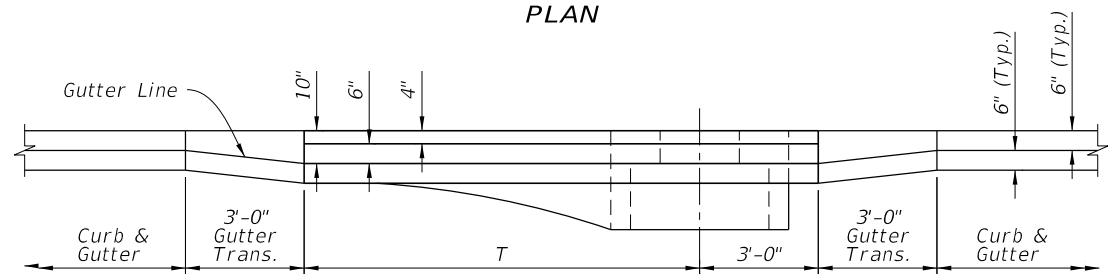
TABLE OF CONTENTS:

Sheet	Description
1	General Notes and Contents
2	Top Dimensional and Reinforcing Details
3	Transverse Dimensional and Reinforcing Details

9/26/2025 11:47:37 AM



PLAN

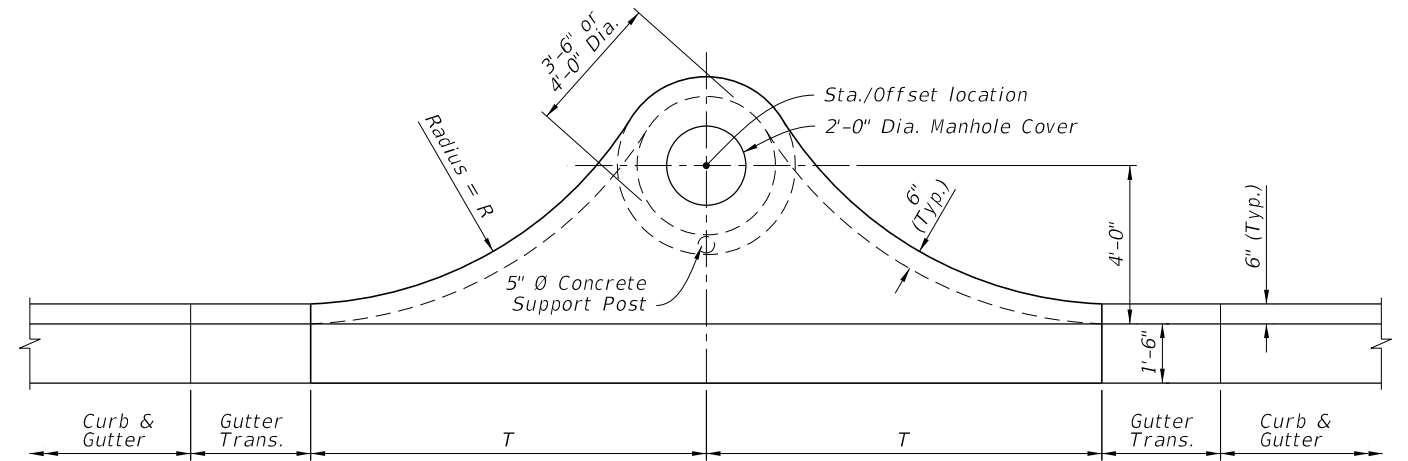


ELEVATION

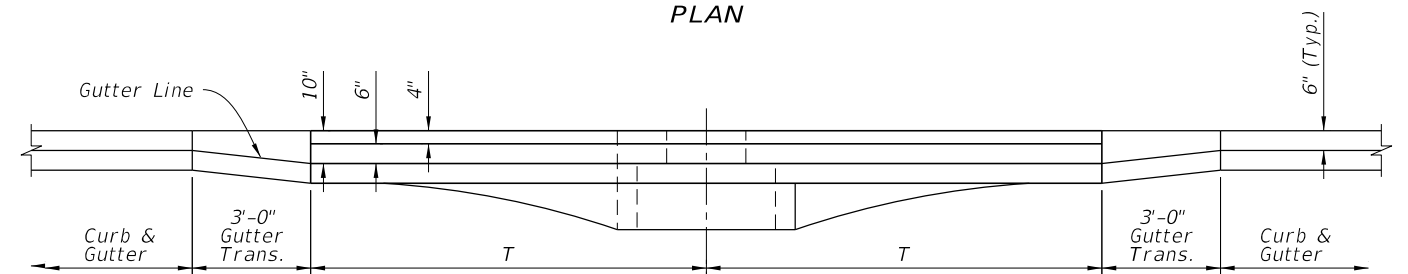
TYPE 1 AND 3

TABLE 1
INLET
DIMENSIONS

Inlet Type	R	T
1	10'-0"	10'-0"
2	10'-0"	10'-0"
3	6'-0"	6'-0"
4	6'-0"	6'-0"



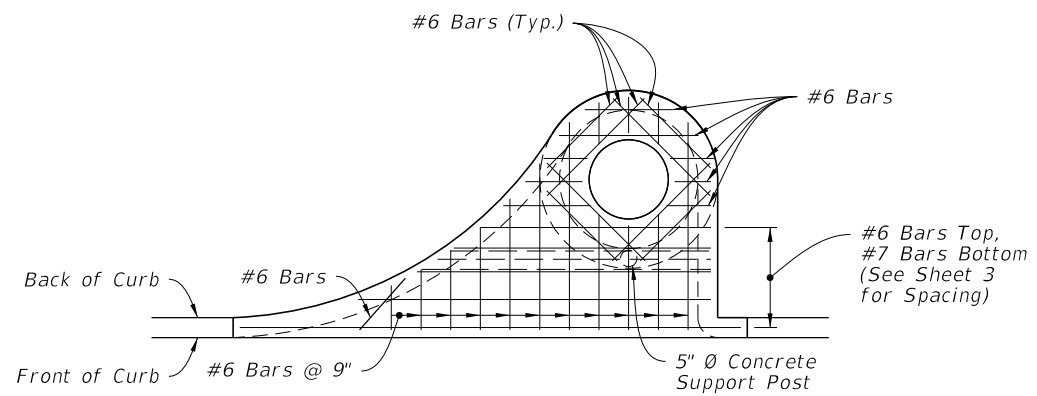
PLAN



ELEVATION

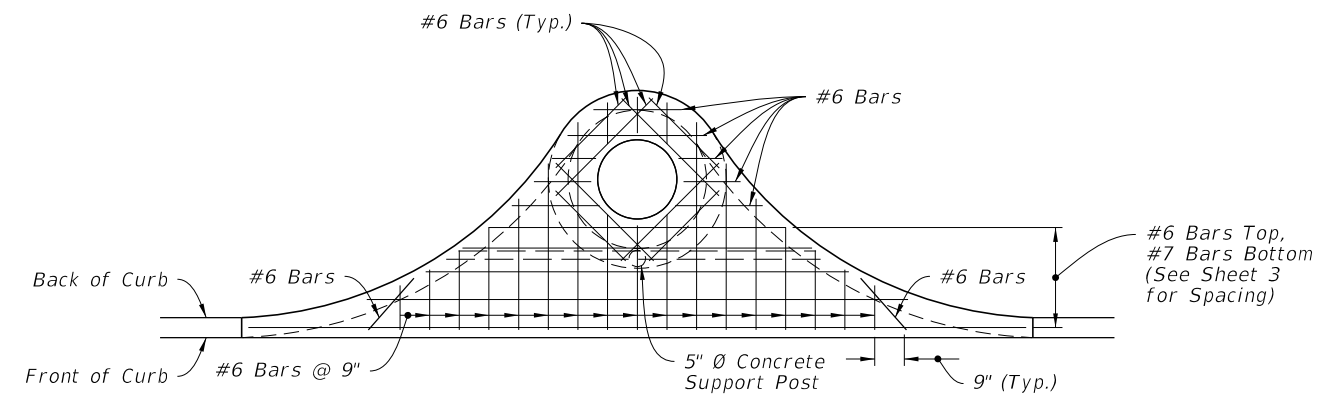
TYPE 2 AND 4

TOP DIMENSIONAL DETAILS



PLAN

TYPE 1 AND 3



PLAN

TYPE 2 AND 4

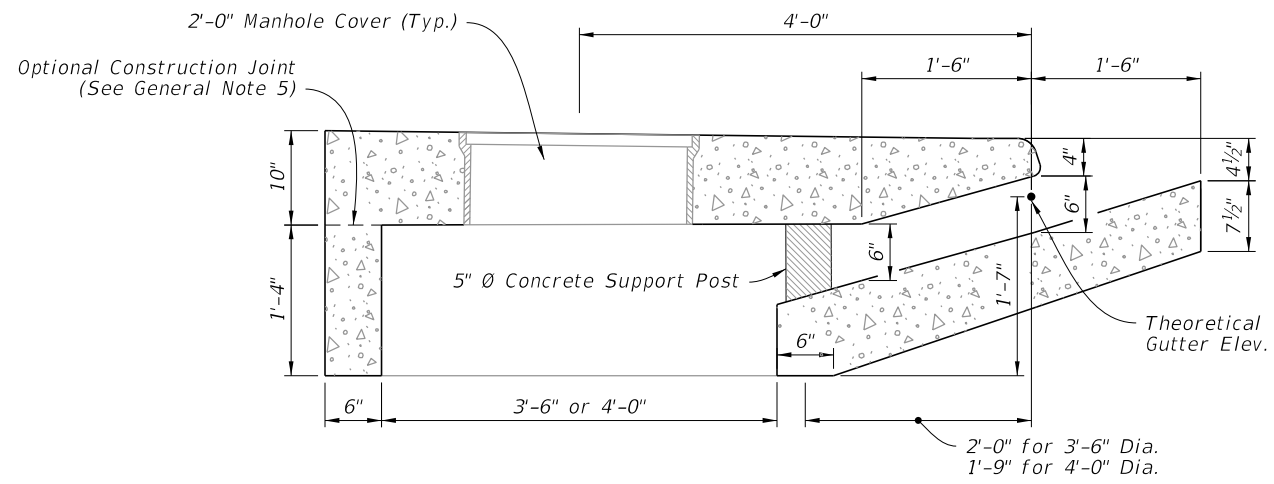
NOTE:
For transverse section reinforcement, see Sheet 3.

TOP REINFORCING DETAILS

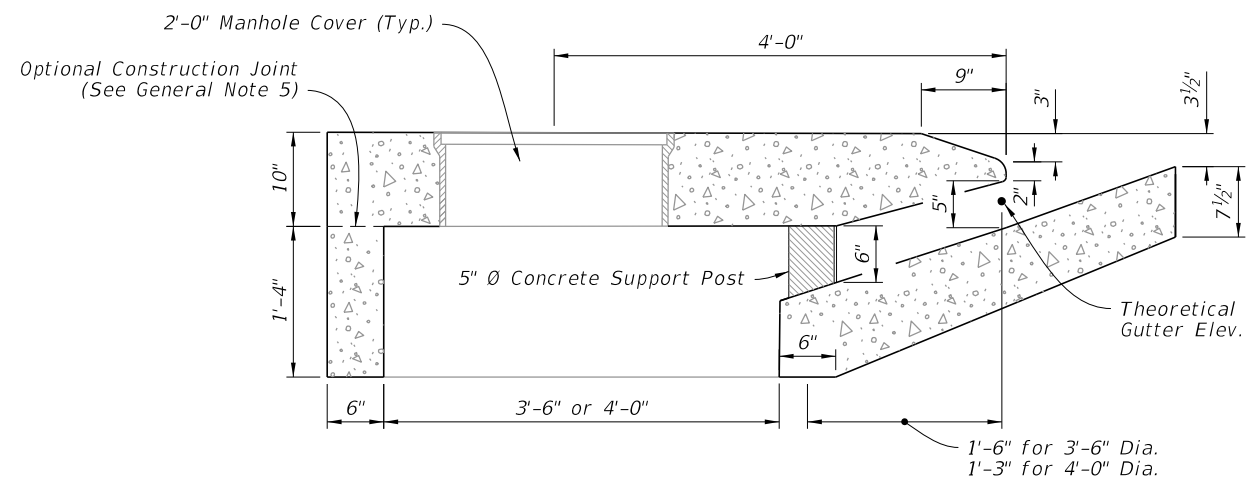
TOP DIMENSIONAL AND TOP REINFORCING DETAILS

9/26/2025 11:47:45 AM

LAST REVISION 11/01/20	DESCRIPTION:	FDOT	FY 2026-27 STANDARD PLANS	CURB INLET TOP TYPES 1, 2, 3, AND 4	INDEX 425-020	SHEET 2 of 3
---------------------------	--------------	------	------------------------------	-------------------------------------	------------------	-----------------

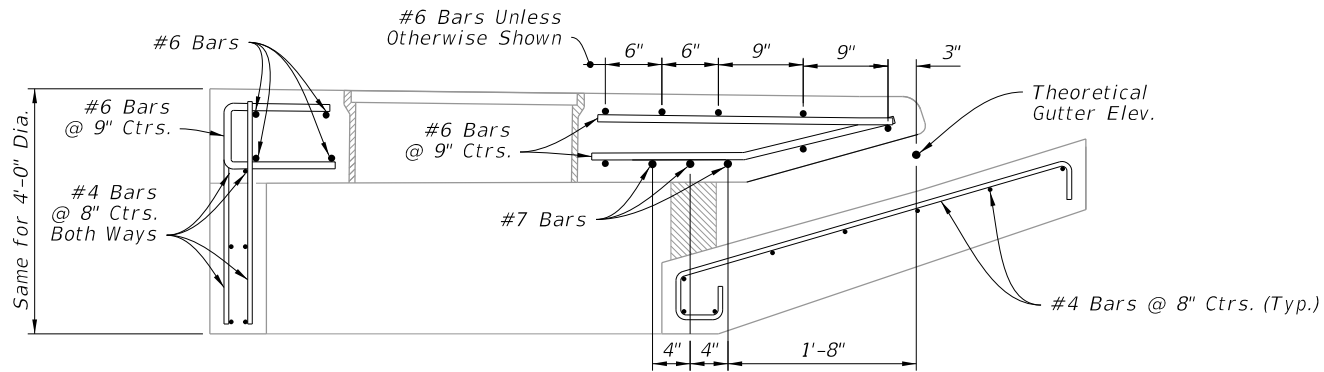


INLET SECTION WITH TYPE F CURB AND GUTTER

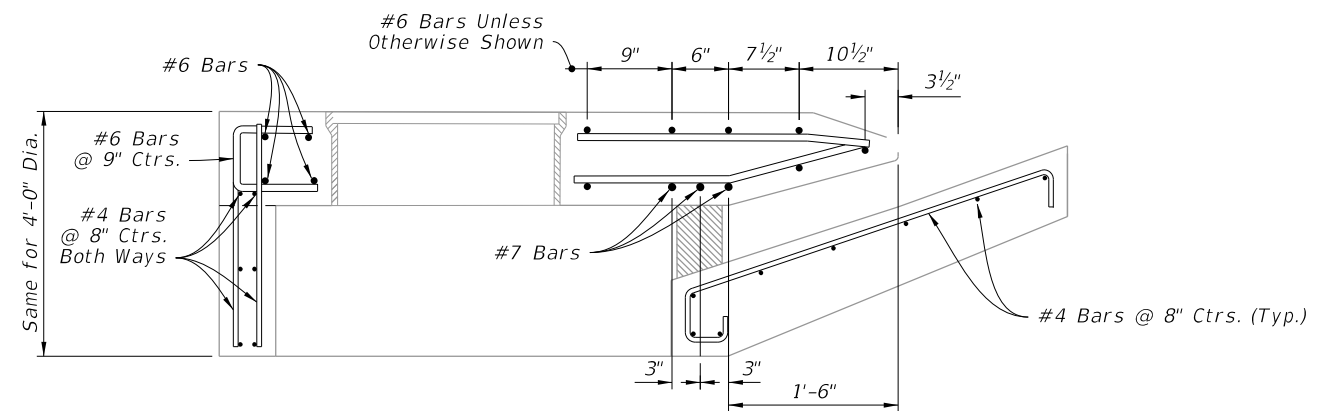


INLET SECTION WITH TYPE E CURB AND GUTTER

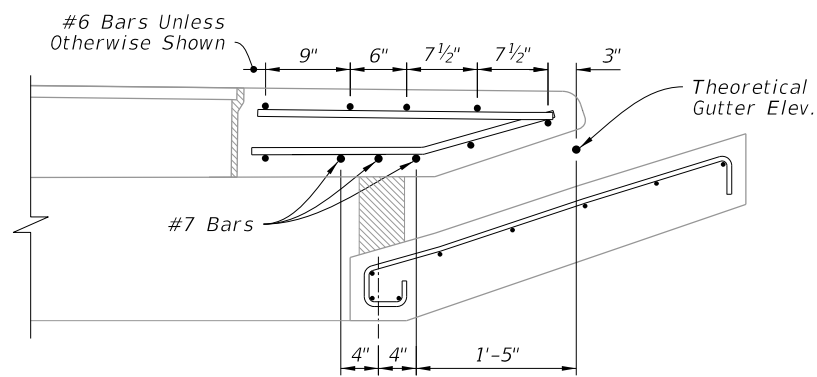
TRANSVERSE DIMENSIONAL DETAILS



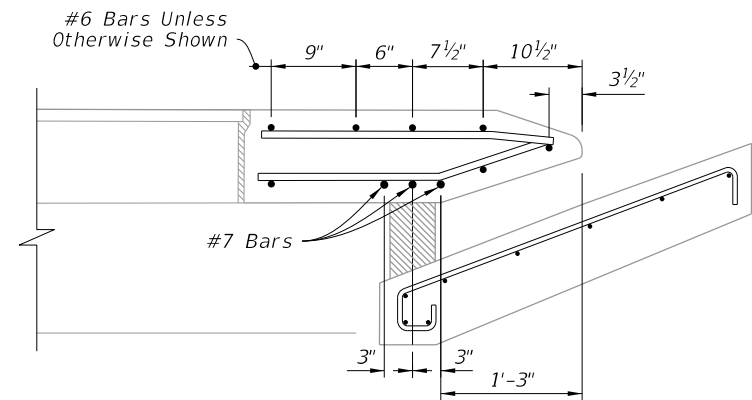
3'-6" DIA. STRUCTURE BOTTOM



3'-6" DIA. STRUCTURE BOTTOM



4'-0" DIA. STRUCTURE BOTTOM



4'-0" DIA. STRUCTURE BOTTOM


INLET SECTION WITH TYPE F CURB AND GUTTER

INLET SECTION WITH TYPE E CURB AND GUTTER

TRANSVERSE REINFORCING DETAILS

TRANSVERSE DIMENSIONAL AND REINFORCING DETAILS

9/26/2025 11:47:51 AM

LAST REVISION 11/01/20	REVISION	DESCRIPTION:		FY 2026-27 STANDARD PLANS	CURB INLET TOP TYPES 1, 2, 3, AND 4	INDEX 425-020	SHEET 3 of 3
---------------------------	----------	--------------	---	------------------------------	-------------------------------------	------------------	-----------------