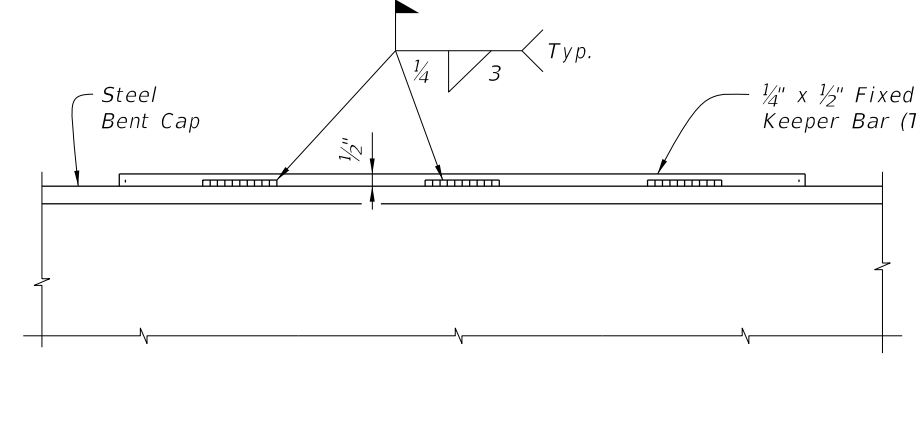
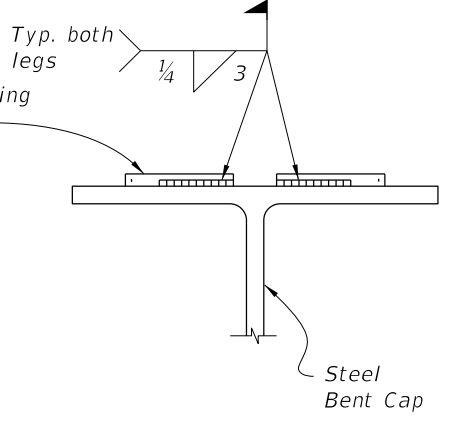


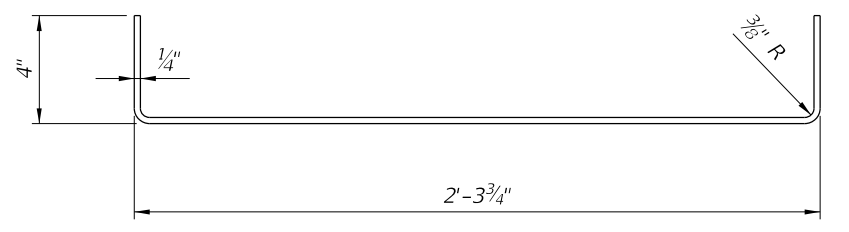
PARTIAL PLAN VIEW



PARTIAL ELEVATION VIEW

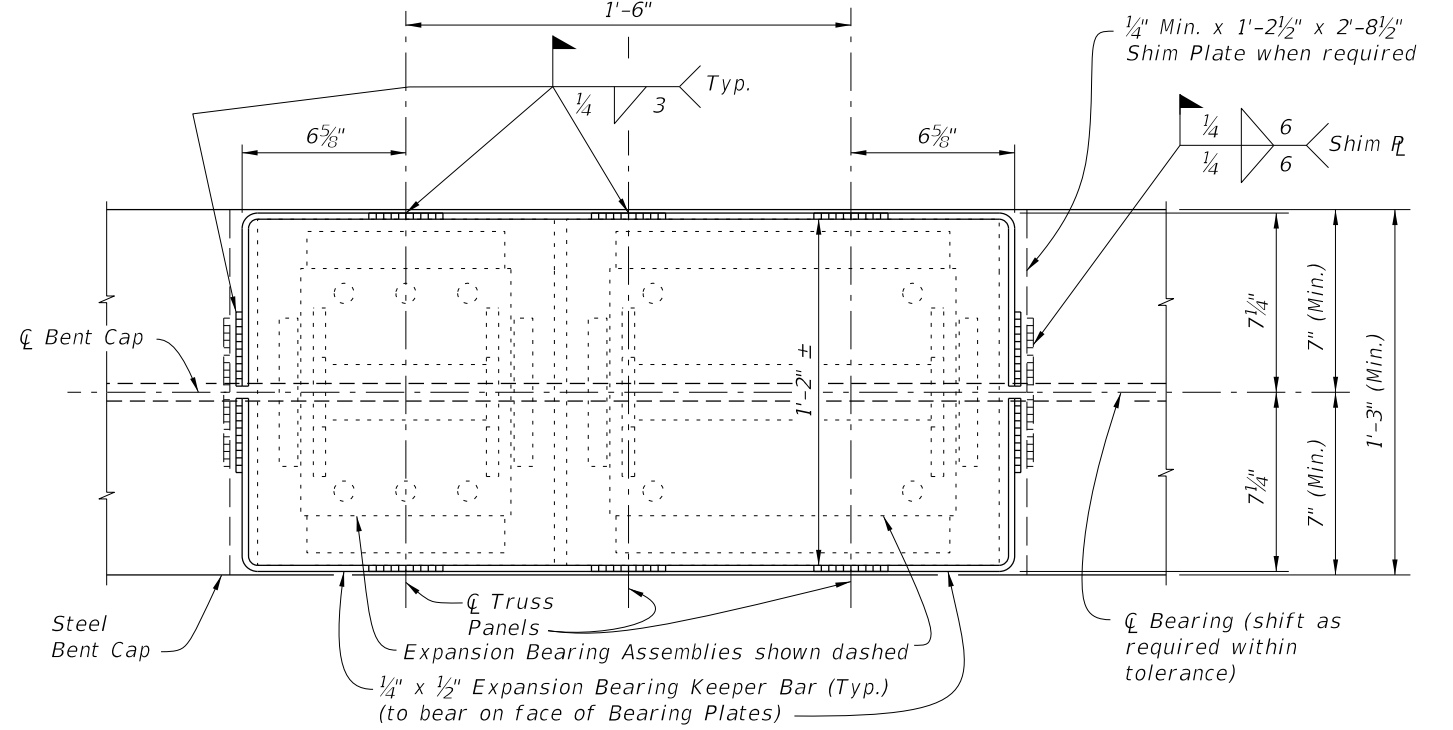


END VIEW

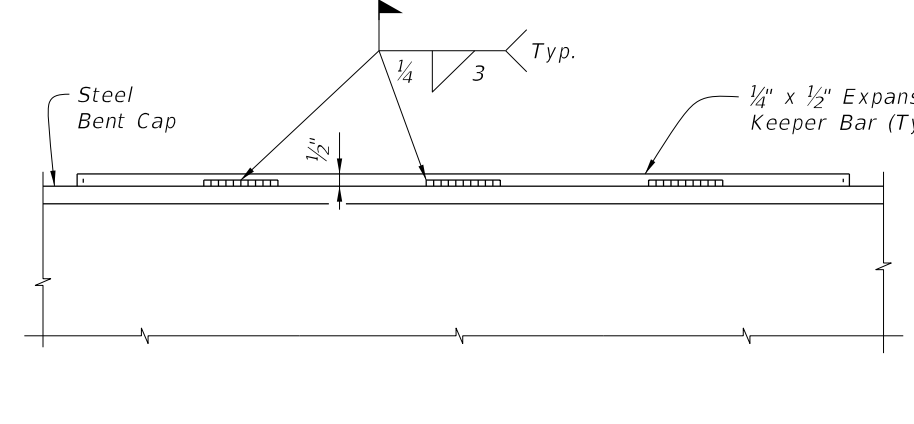


FIXED BEARING KEEPER BAR DETAIL

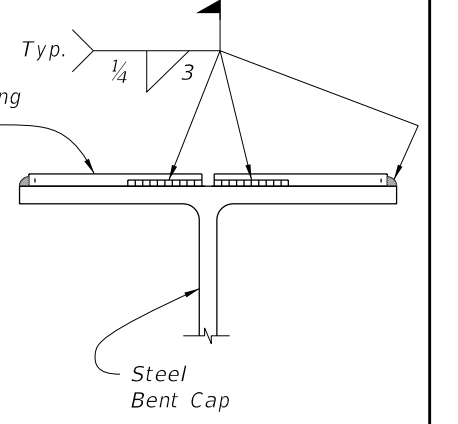
FIXED BEARING DETAILS



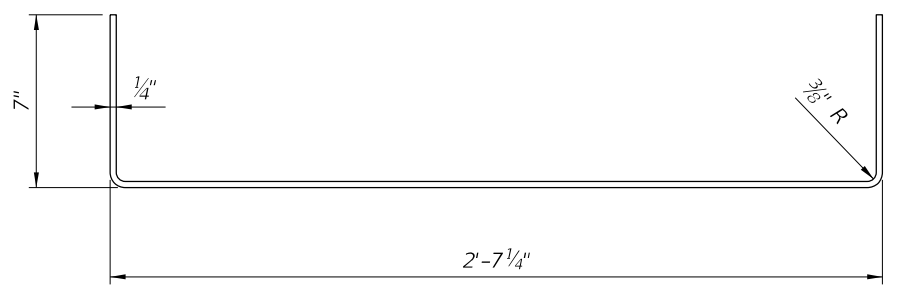
PARTIAL PLAN VIEW



PARTIAL ELEVATION VIEW



END VIEW

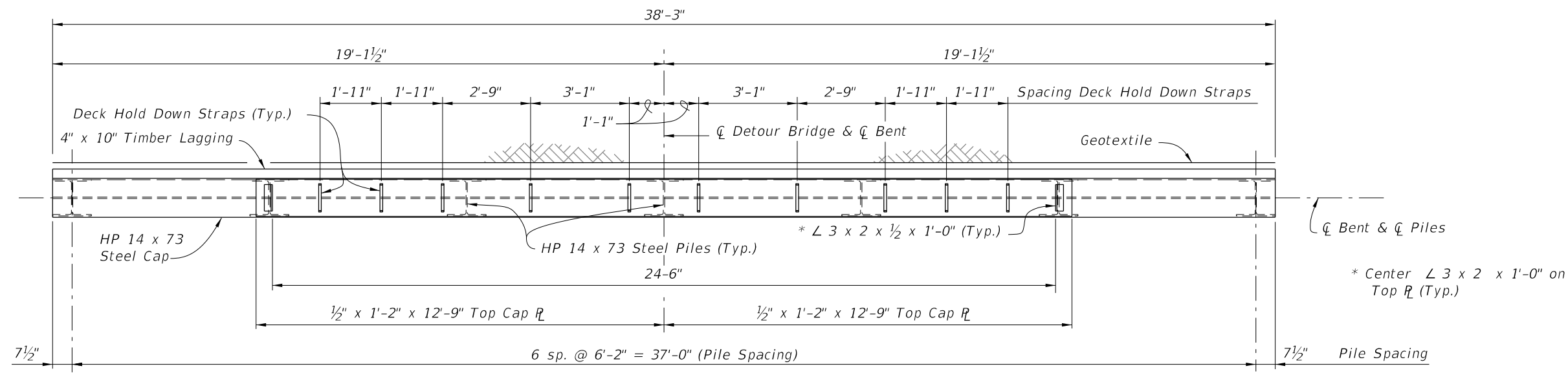


EXPANSION BEARING KEEPER BAR DETAIL

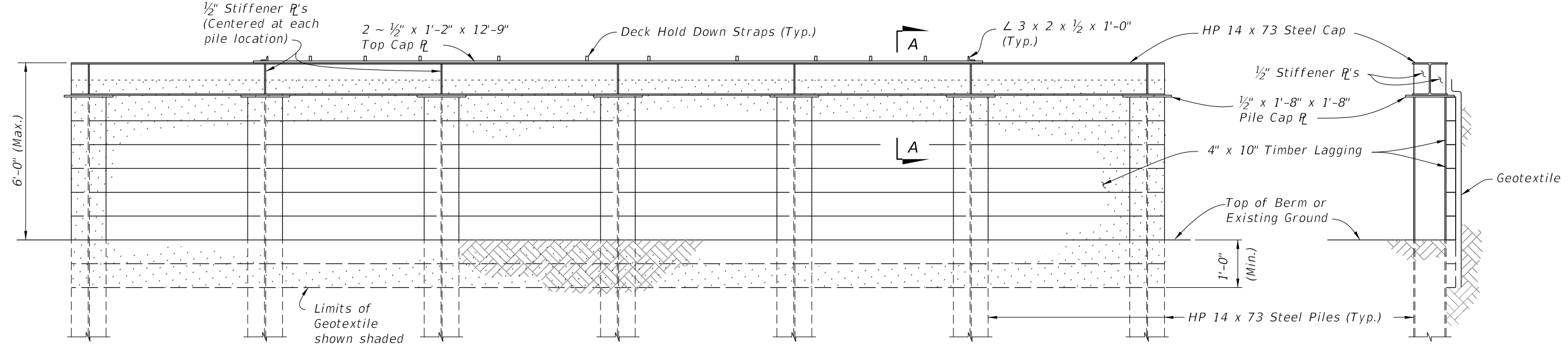
EXPANSION BEARING DETAILS

10/6/2025 2:14:12 PM

LAST REVISION 11/01/25	REVISION	DESCRIPTION:		FY 2026-27 STANDARD PLANS	TEMPORARY DETOUR BRIDGE DETAILS STEEL H PILE BACKWALL BENT	INDEX 102-220	SHEET 1 of 2
---------------------------	----------	--------------	--	------------------------------	---	------------------	-----------------

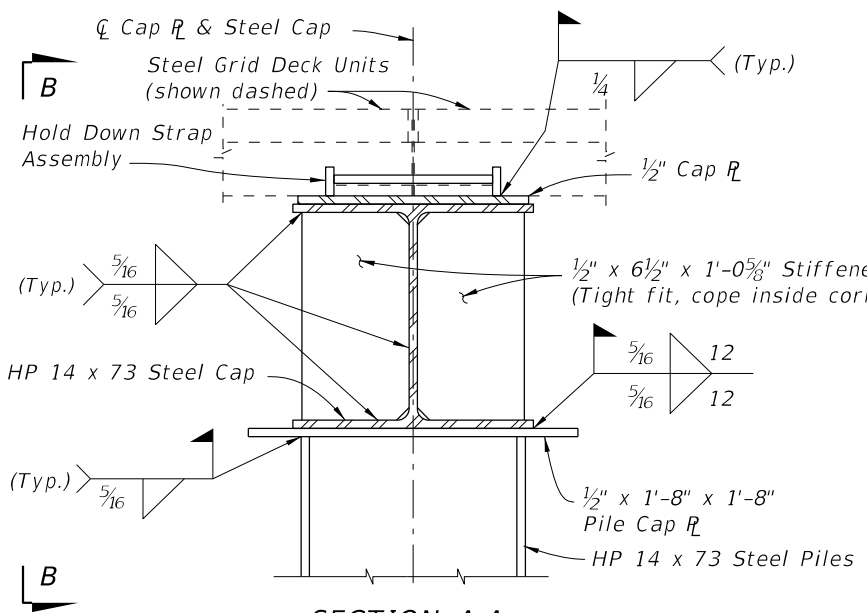


PLAN VIEW

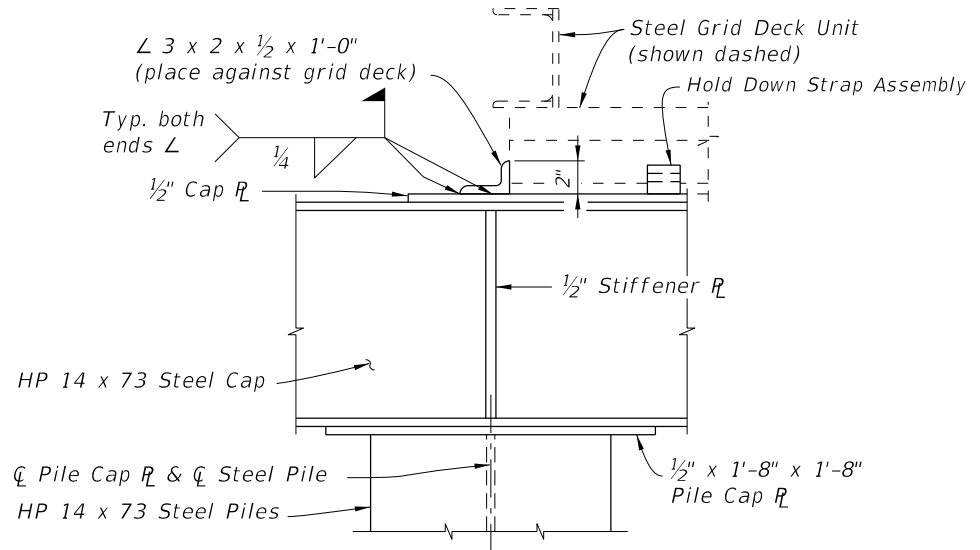


ELEVATION VIEW

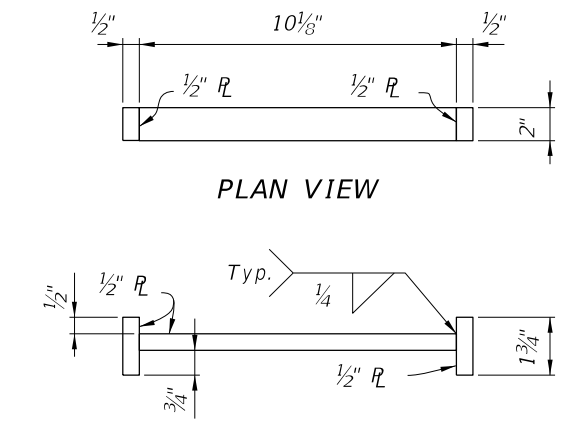
END VIEW



SECTION A-A  
(LAGGING NOT SHOWN FOR CLARITY)



VIEW B-B



HOLD DOWN STRAP ASSEMBLY DETAIL

BACKWALL BENT DETAILS

10/16/2025 2:14:18 PM

LAST REVISION 11/01/25	DESCRIPTION:		FY 2026-27 STANDARD PLANS	TEMPORARY DETOUR BRIDGE DETAILS STEEL H PILE BACKWALL BENT	INDEX 102-220	SHEET 2 of 2
---------------------------	--------------	--	------------------------------	---	------------------	-----------------