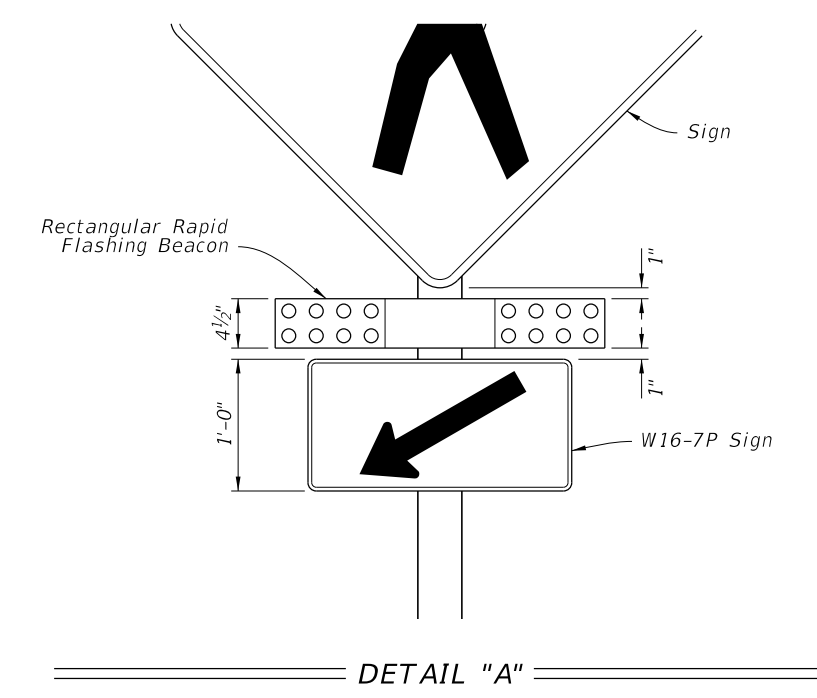
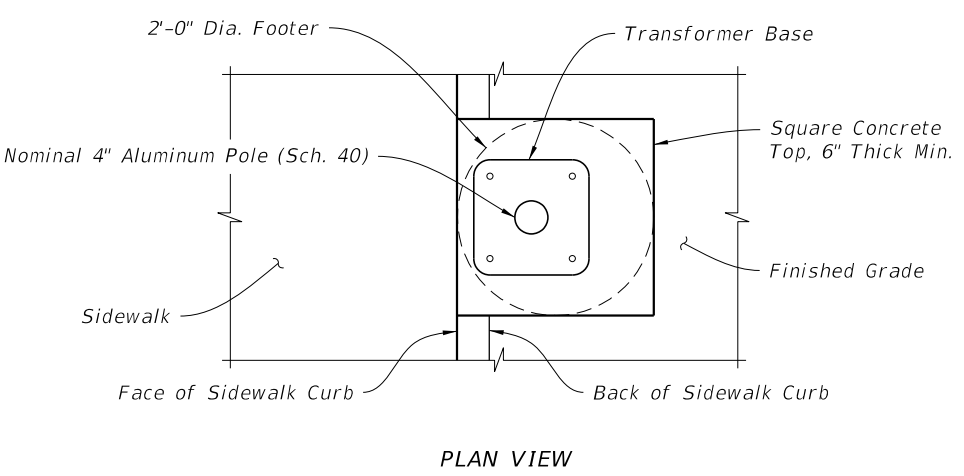
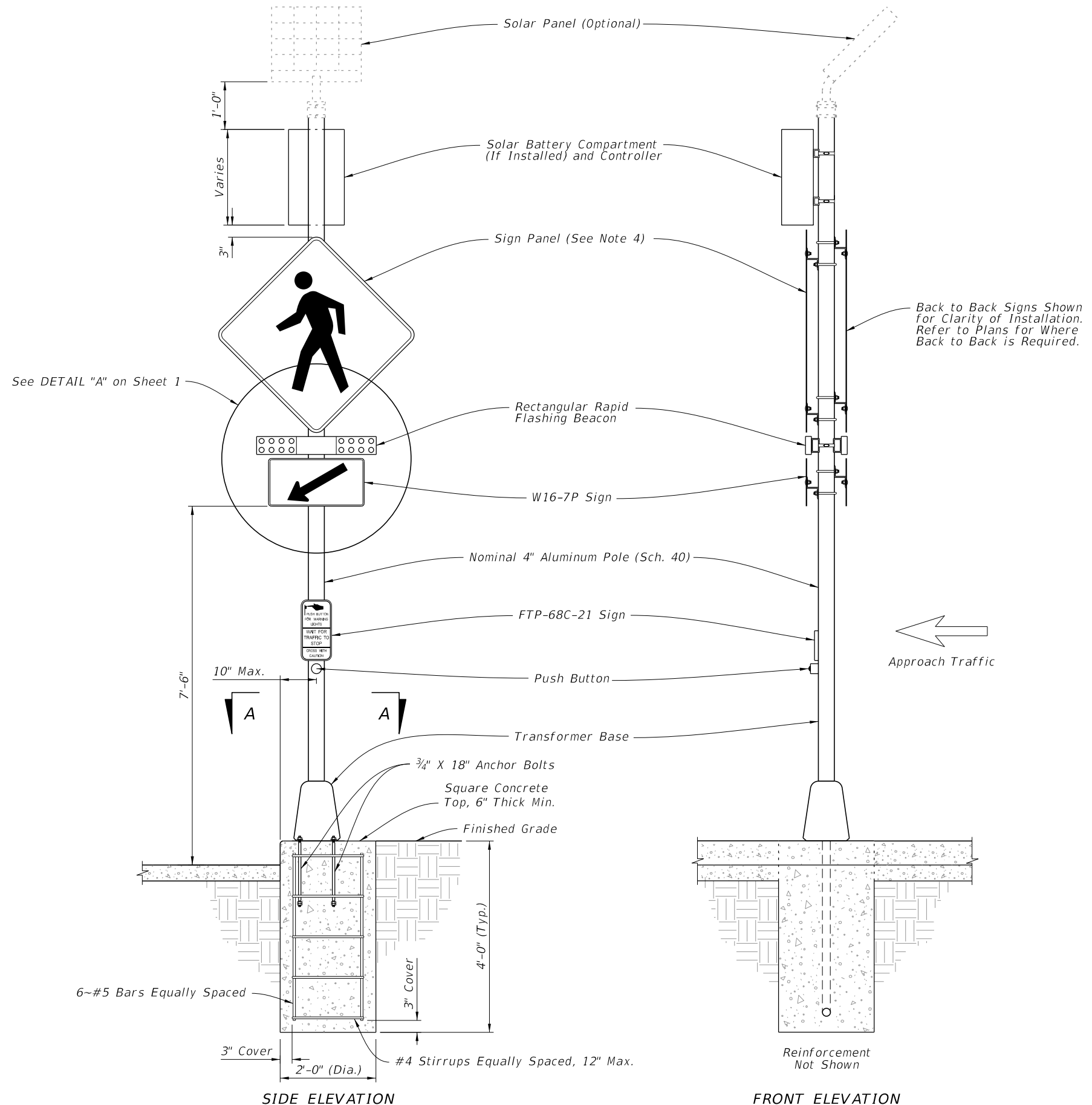


- NOTES:**
1. A transformer base is required for both conventionally-powered and solar-powered applications. Install pull box, conduit, wiring, and grounding in accordance with Index 700-120 based on the powering configuration called for in the Plans.
  2. Install the RRFB in pairs, one on either side of approach traffic.
  3. Install controller on the backside of post from approach traffic.
  4. W11-2 sign panel shown, others similar. Use 30" X 30" sign panels for two-lane roadways and 36" X 36" sign panels on multilane roadways.
  5. Install push button and FTP-68C-21 sign in accordance with Index 665-001.
  6. Engage all threads on the transformer base and post unless the aluminum post is fully seated into base.
  7. Meet the requirements of Specification 646.
  8. Install a concrete slab around all pull boxes. The minimum slab dimension is 4'-0" by 4'-0". In urban areas where space is limited slab dimensions may be adjusted as shown in the Plans.
  9. For assemblies connected to conventional power, provide single pole non-fused watertight breakaway electrical connectors in the frangible transformer base.
  10. When wire entry holes are drilled in the sign column, use a bushing or rubber grommet to protect conductors.
  11. For solar-powered applications, orient solar panel to face South for optimal exposure to sunlight.
  12. In lieu of footing design shown, a Spread Footing may be used in accordance with Index 700-120.



9/10/2024 2:29:14 PM

LAST REVISION 11/01/23	REVISION	DESCRIPTION:		FY 2025-26 STANDARD PLANS	RECTANGULAR RAPID FLASHING BEACON ASSEMBLY	INDEX 654-001	SHEET 1 of 2
---------------------------	----------	--------------	--	------------------------------	--	------------------	-----------------



SIDE ELEVATION

FRONT ELEVATION

PLAN VIEW

IN SIDEWALK CURB

SECTION A-A

9/10/2024 2:29:21 PM

LAST REVISION 11/01/23	REVISION	DESCRIPTION:		FY 2025-26 STANDARD PLANS	RECTANGULAR RAPID FLASHING BEACON ASSEMBLY	INDEX 654-001	SHEET 2 of 2
---------------------------	----------	--------------	--	------------------------------	--	------------------	-----------------