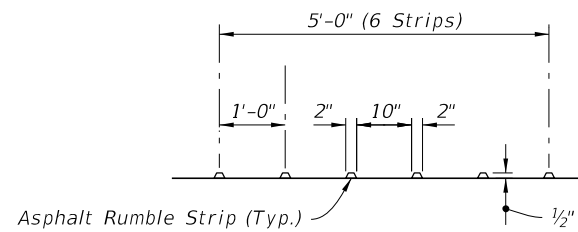
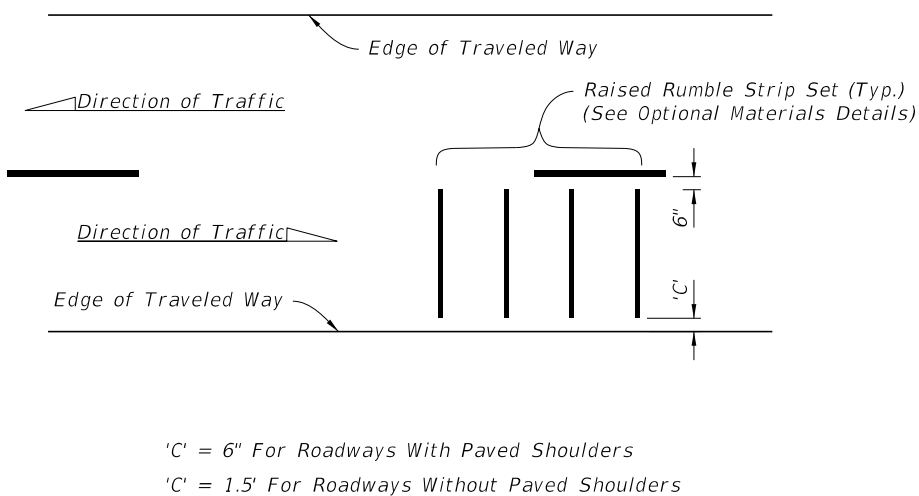
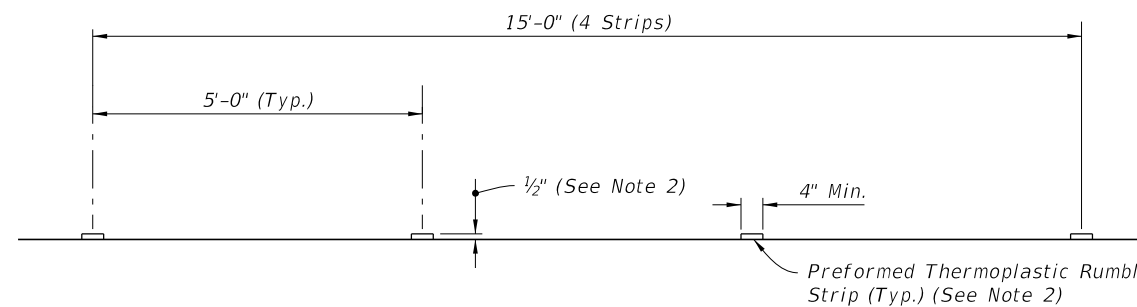


SPACING OF RAISED RUMBLE STRIP SETS AT INTERSECTIONS
(Performed Thermoplastic Set Shown, Others Similar)

Posted Speed (mph)	'L' (Feet)
≤ 30	150
35	200
40	250
45	300
50	350
55	410
60	470
65	550



OPTION P1 - ASPHALT SET



OPTION P2 - PREFORMED THERMOPLASTIC SET

NOTES:

- Construct permanent raised rumble strips where shown in the Plans and in accordance with Specification 546.
- Use color white for preformed thermoplastic rumble strips.

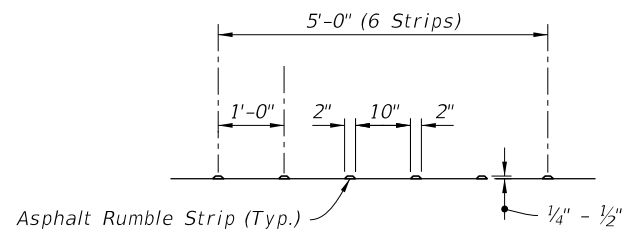
DETAIL "A"

OPTIONAL MATERIALS DETAILS

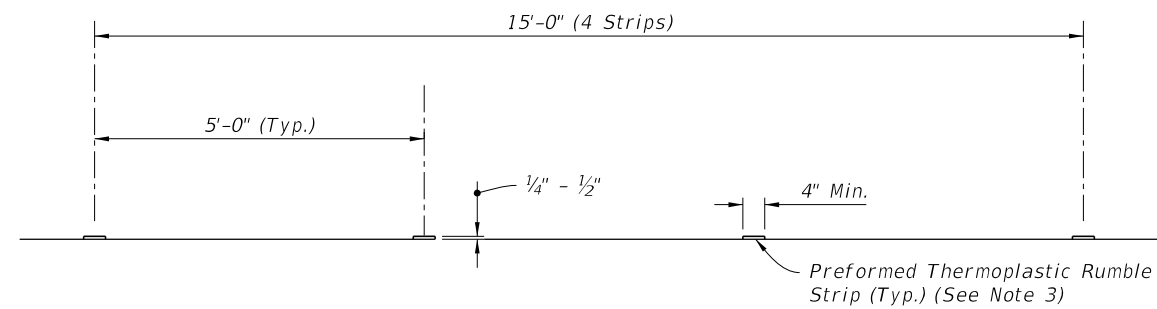
PERMANENT RAISED RUMBLE STRIPS

9/10/2024 2:00:36 PM

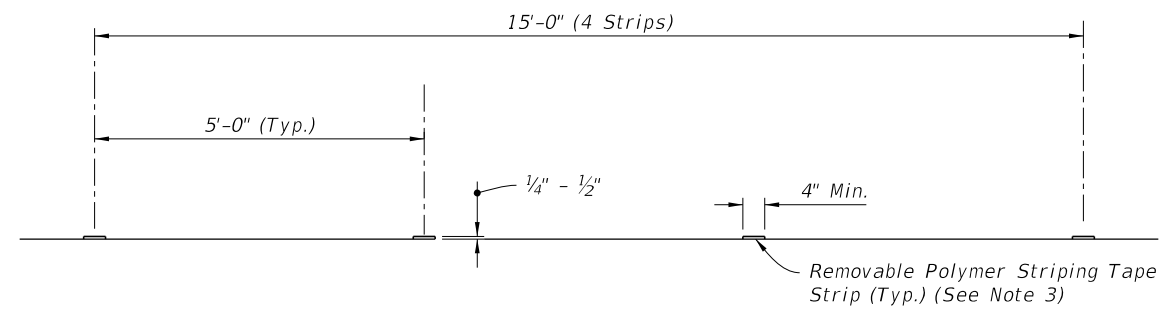
LAST REVISION 11/01/23	DESCRIPTION:	 FY 2025-26 STANDARD PLANS	RAISED RUMBLE STRIPS	INDEX 546-001	SHEET 1 of 2
---------------------------	--------------	----------------------------------	----------------------	------------------	-----------------



OPTION ST1 - ASPHALT SET



OPTION ST2 - PREFORMED THERMOPLASTIC SET



OPTION ST3 - REMOVABLE POLYMER STRIPING TAPE SET


OPTIONAL MATERIALS DETAILS

NOTES:

1. Construct short-term raised rumble strips where noted in the Plans and in accordance with Specification 546.
2. See Sheet 1 for placement and additional details.
3. Use color white for Preformed Thermoplastic and Removable Polymer Striping Tape Sets.

9/10/2024 2:00:43 PM

SHORT-TERM RAISED RUMBLE STRIPS

LAST REVISION 11/01/24	REVISION	DESCRIPTION:	 FY 2025-26 STANDARD PLANS	RAISED RUMBLE STRIPS	INDEX 546-001	SHEET 2 of 2
---------------------------	----------	--------------	---	----------------------	------------------	-----------------