

**GENERAL NOTES:**

**1. Cross Slopes and Grades:**

- A. Sidewalk, ramp, and landing slopes (i.e. 0.02, 0.05, and 1:12) shown in this Index are maximums. With approval of the Engineer, provide the minimum feasible slope where the requirements cannot be met.
- B. Landings must have cross-slopes less than or equal to 0.02 in any direction.
- C. Maintain a single longitudinal slope along each side of the curb ramp. Ramp slopes are not required to exceed 15 feet in length.
- D. Joints permitted at the location of Slope Breaks. Otherwise locate joints in accordance with Index 522-001. No joints are permitted within the ramp portion of the Curb Ramp.

**2. Curb, Curb and Gutter and/or Sidewalk:**

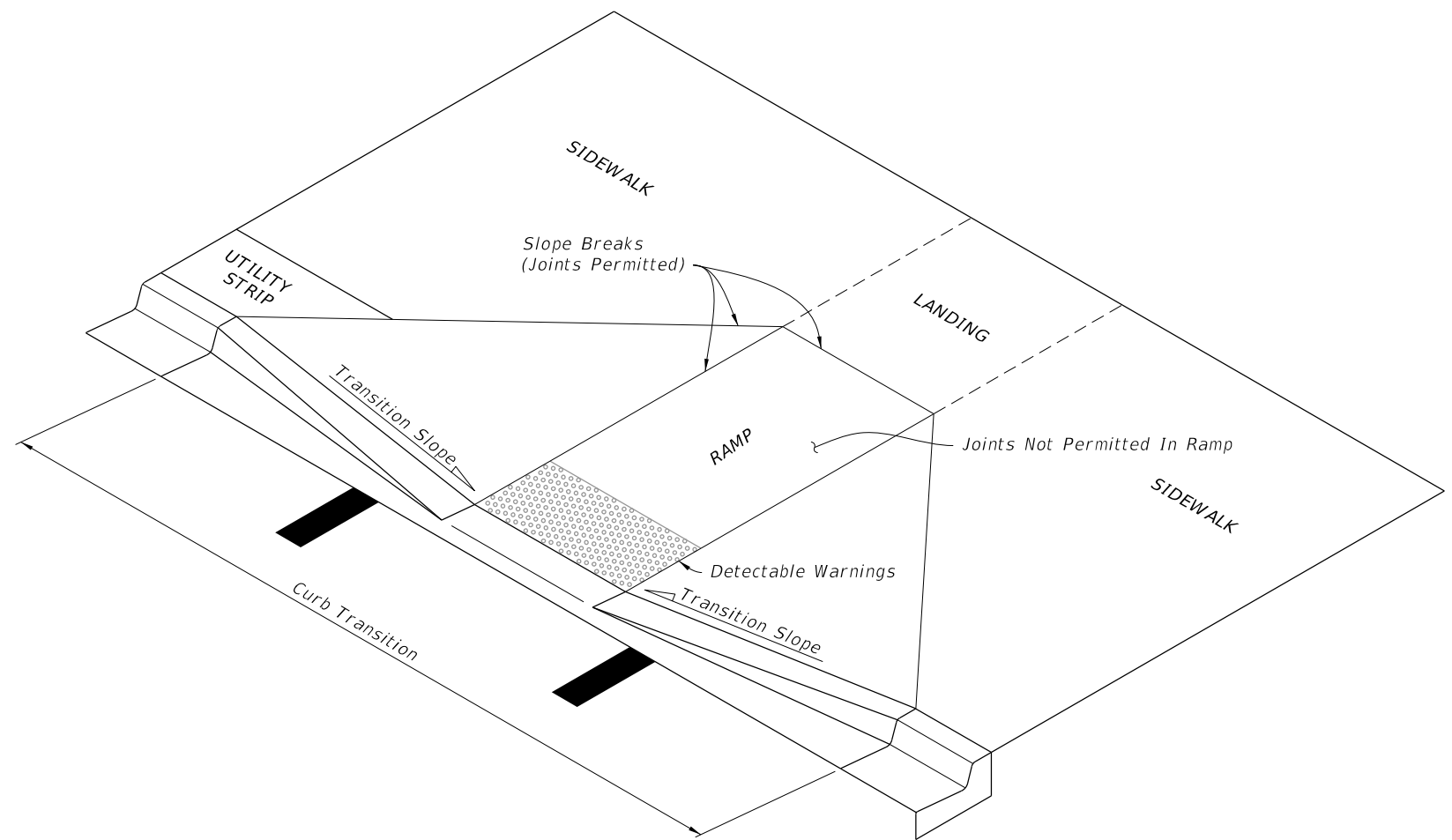
- A. Refer to Index 522-001 for concrete thickness and sidewalk details.
- B. Remove any existing curb, curb and gutter, or sidewalk to the nearest joint beyond the curb transition or to the extent that no remaining section is less than 5 feet long.
- C. Width of Curb Ramp is 4'-0" minimum. Match sidewalk or Shared Use Path width as shown in the Plans.

**3. Curb Ramp Alpha-Identification:**

- A. Sidewalk curb ramp alpha-identifications (e.g. CR-A) are provided for reference purposes in the Plans.
- B. Alpha-identifications CR-I and CR-J are intentionally omitted.


**4. Detectable Warnings:**

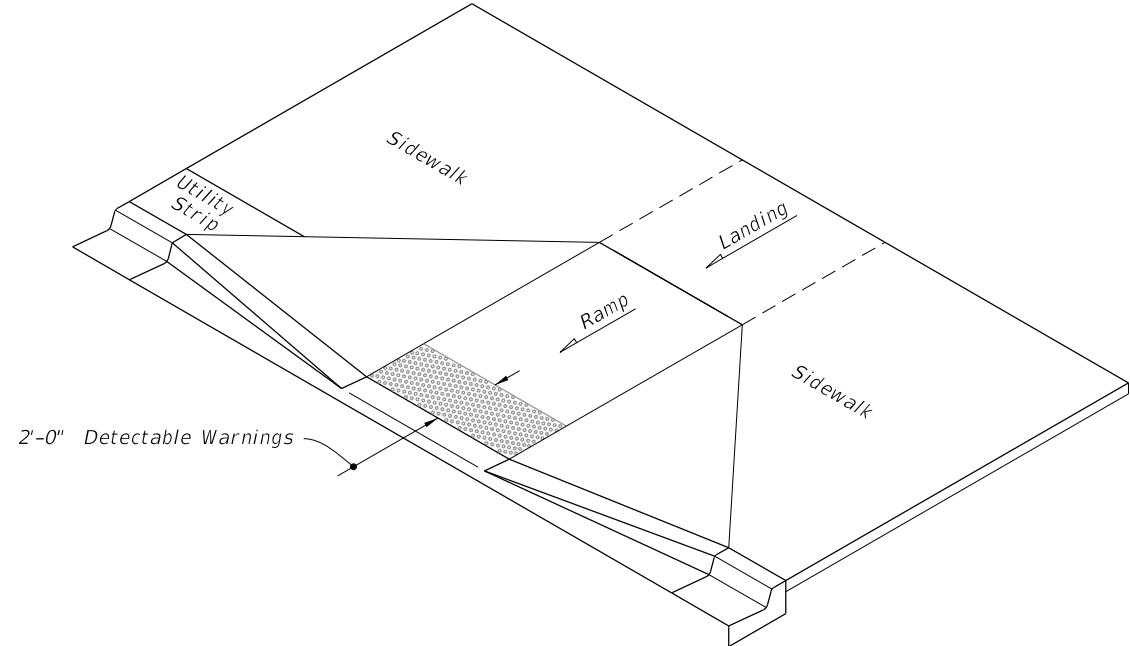
- A. Install detectable warnings in accordance with Specification 527.
- B. Place detectable warnings across the full width of the ramp or landing, to a minimum depth of 2 feet measured perpendicular to the curb line and no greater than 5 feet from the back of the curb or edge of pavement.
- C. If detectable warnings are shown in the Plans on slopes greater than 5%, align the truncated domes with the centerline of the ramp; otherwise, the truncated domes are not required to be aligned.



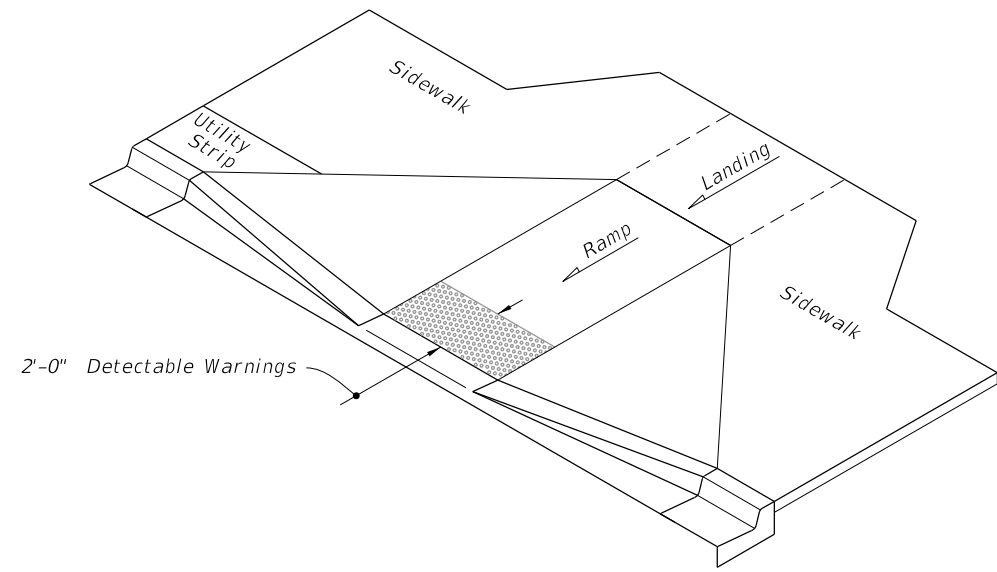
==== CURB RAMP NOMENCLATURE =====

9/10/2024 1:39:30 PM

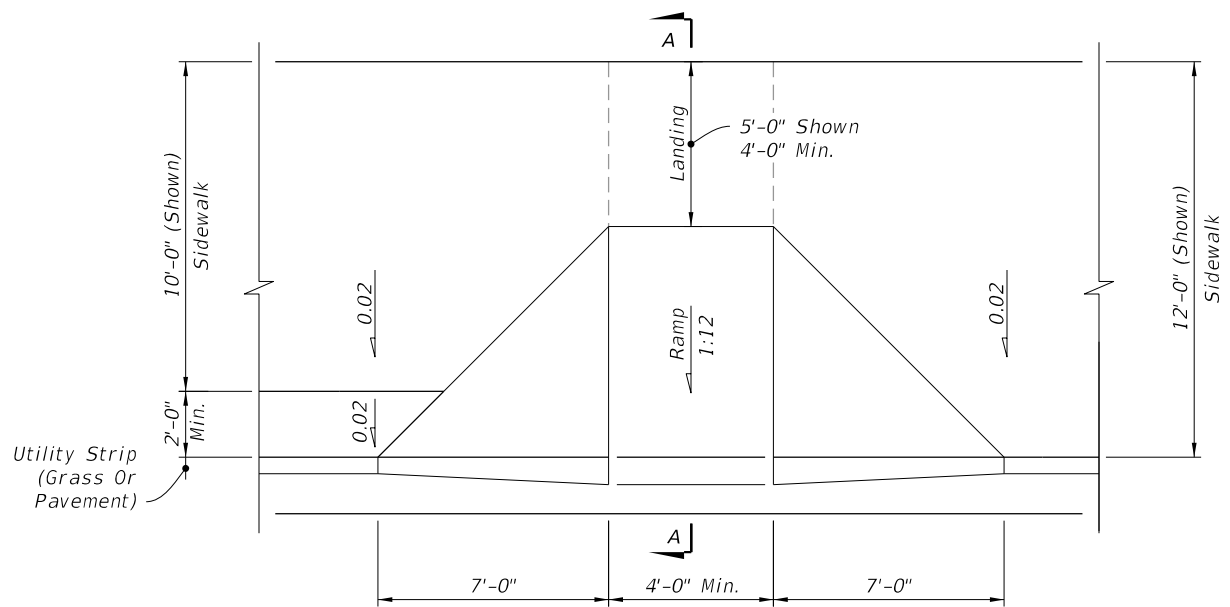
LAST REVISION 11/01/21	REVISION	DESCRIPTION:	 FY 2025-26 STANDARD PLANS	DETECTABLE WARNINGS AND SIDEWALK CURB RAMPS	INDEX 522-002	SHEET 1 of 7
------------------------------	----------	--------------	---	---	------------------	-----------------



ISOMETRIC VIEW



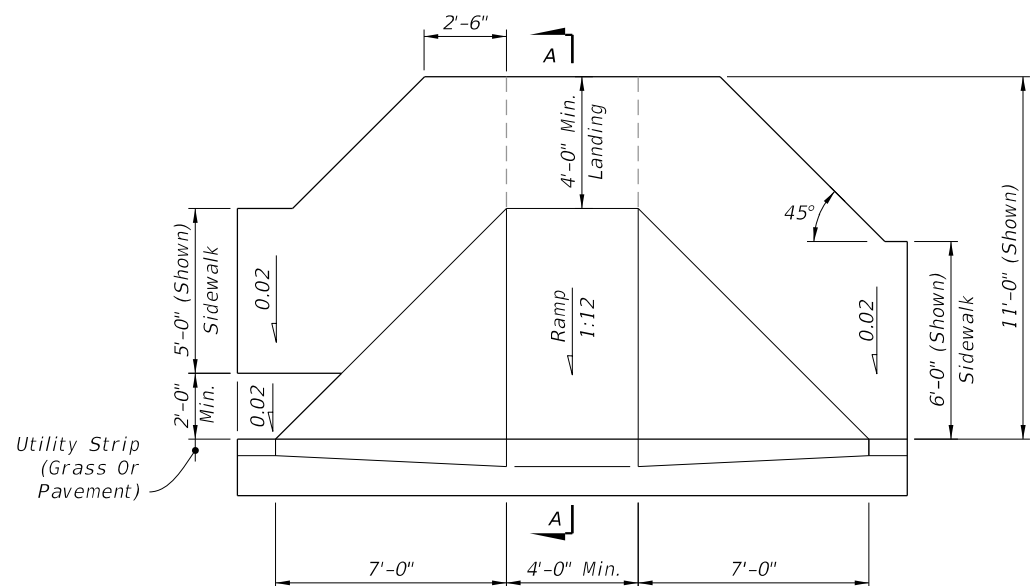
ISOMETRIC VIEW



PLAN VIEW

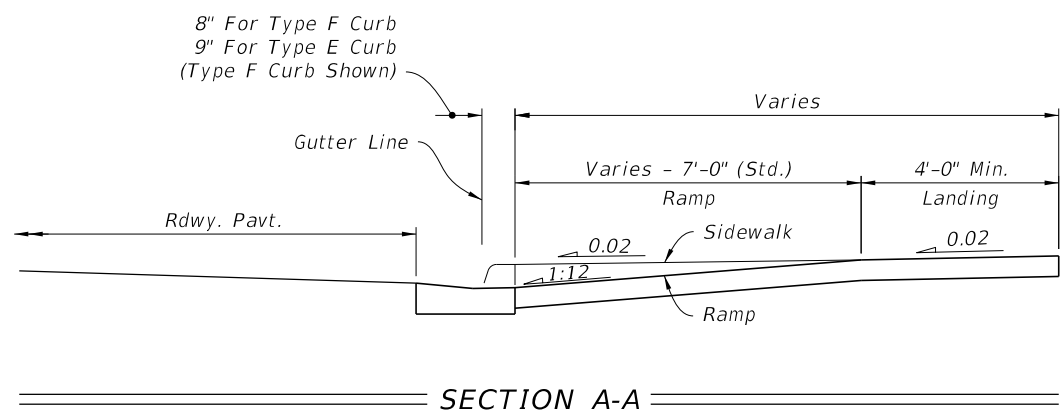
NOTE: For Example of CR-A used in Radial Curb Returns, See Sheet 7.

CR-A



PLAN VIEW

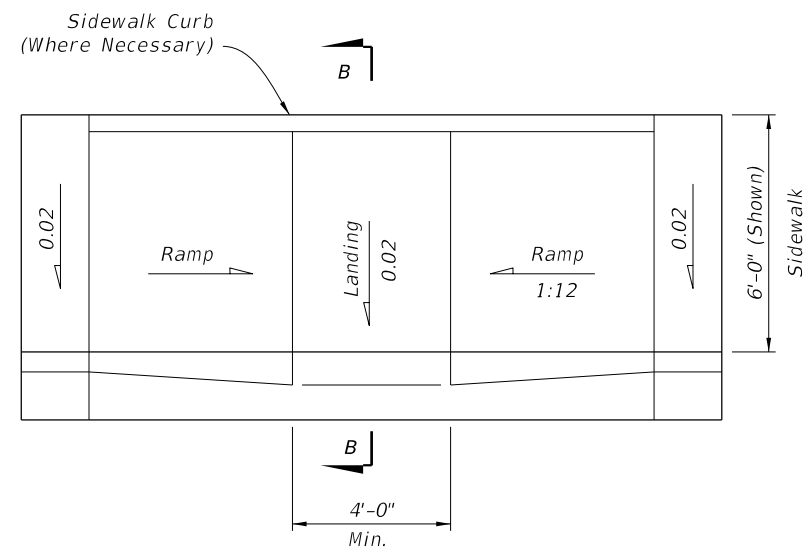
CR-B



SIDEWALK CURB RAMPS CR-A AND CR-B

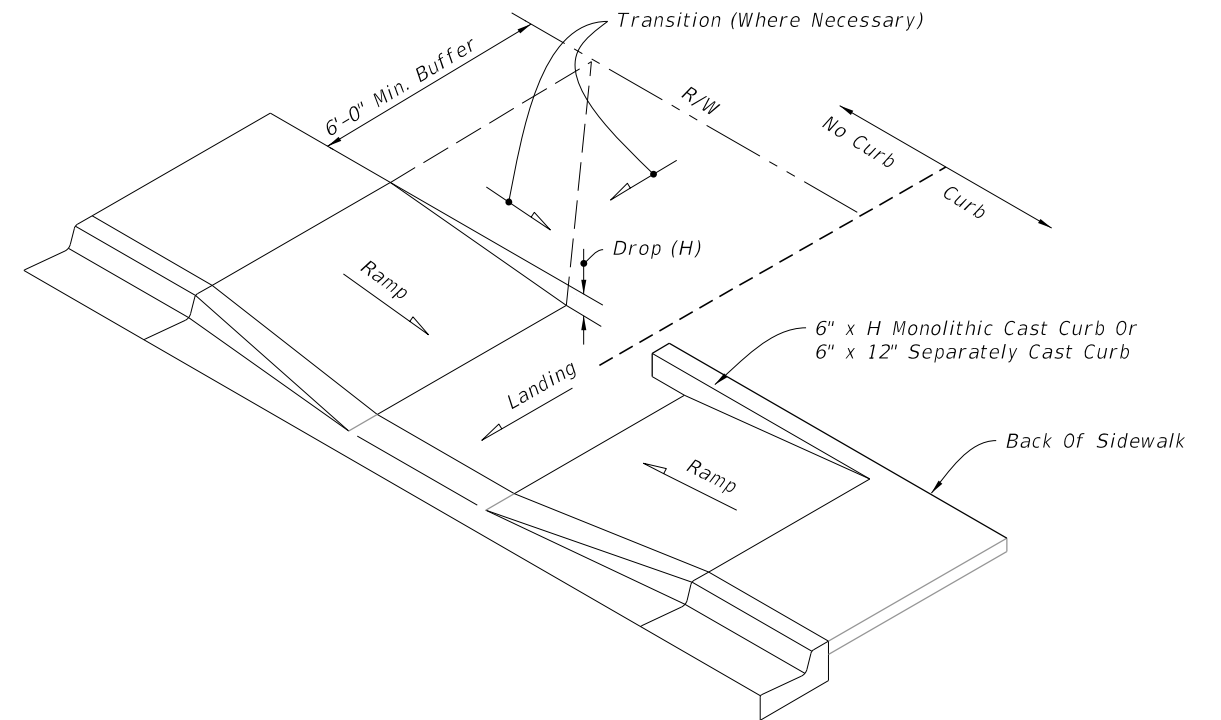
9/10/2024 1:39:36 PM

LAST REVISION 11/01/20	DESCRIPTION:		FY 2025-26 STANDARD PLANS	DETECTABLE WARNINGS AND SIDEWALK CURB RAMPS	INDEX 522-002	SHEET 2 of 7
---------------------------	--------------	--	------------------------------	---	------------------	-----------------

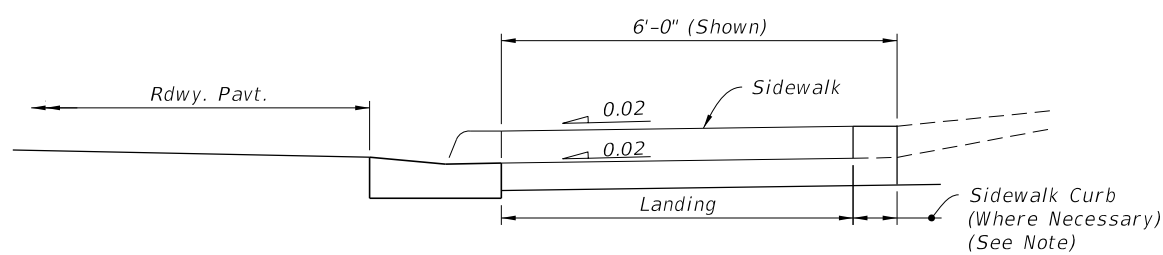


PLAN VIEW

CR-C

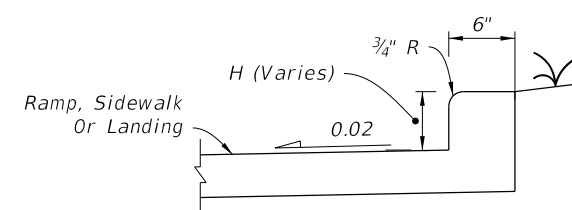


CONSTRUCTION OF SIDEWALK CURB IN CUT SECTIONS

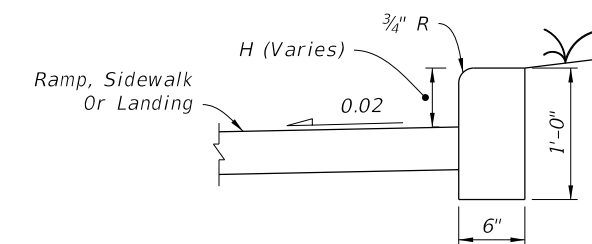


SECTION B-B

NOTE: For additional information on sidewalk curb construction, see SIDEWALK CURB OPTIONS details.



MONOLITHIC CAST CURB



SEPARATELY CAST CURB

SIDEWALK CURB OPTIONS

SIDEWALK CURB RAMPS CR-C AND SIDEWALK CURB

9/10/2024 1:39:43 PM

LAST REVISION 11/01/20	REVISION	DESCRIPTION:
---------------------------	----------	--------------

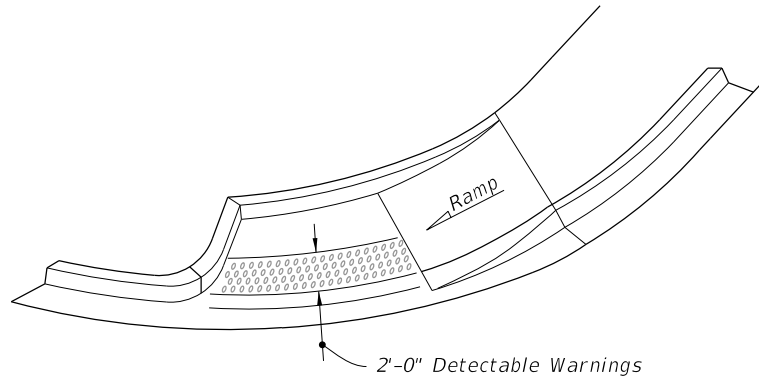


FY 2025-26  
STANDARD PLANS

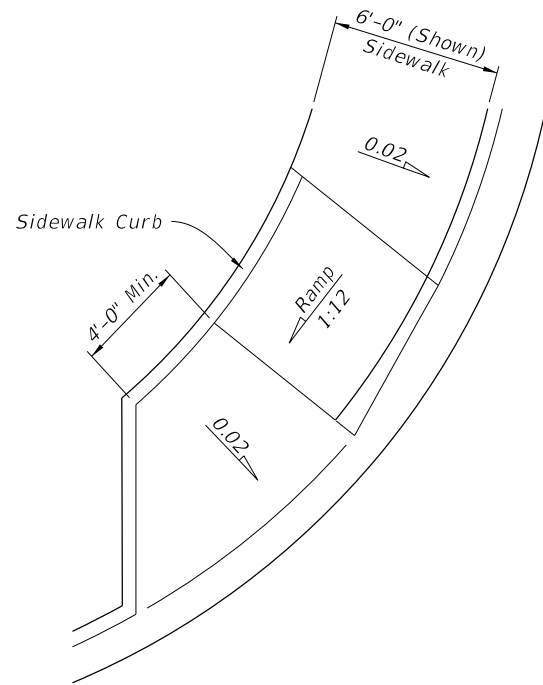
DETECTABLE WARNINGS AND SIDEWALK CURB RAMPS

INDEX  
522-002

SHEET  
3 of 7

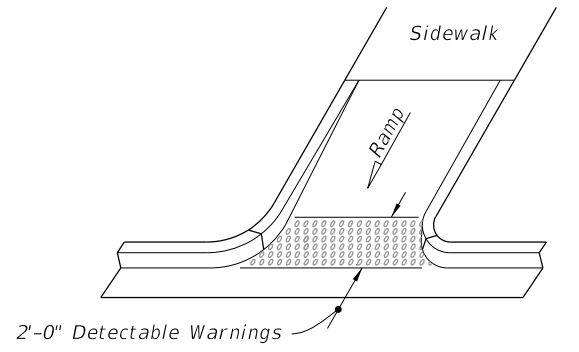


ISOMETRIC VIEW

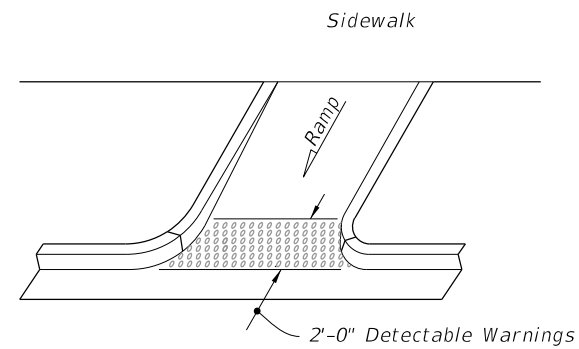


PLAN VIEW

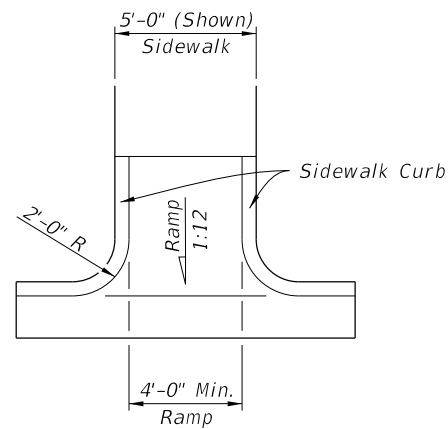
CR-D



OPTION A

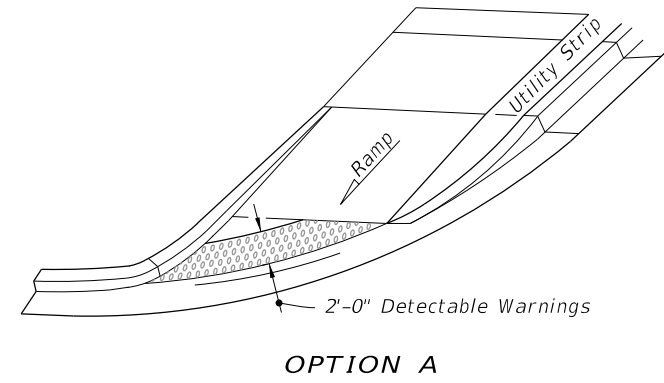


OPTION B  
ISOMETRIC VIEW

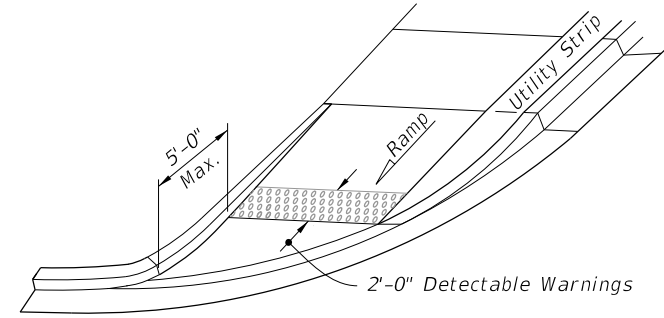


PLAN VIEW

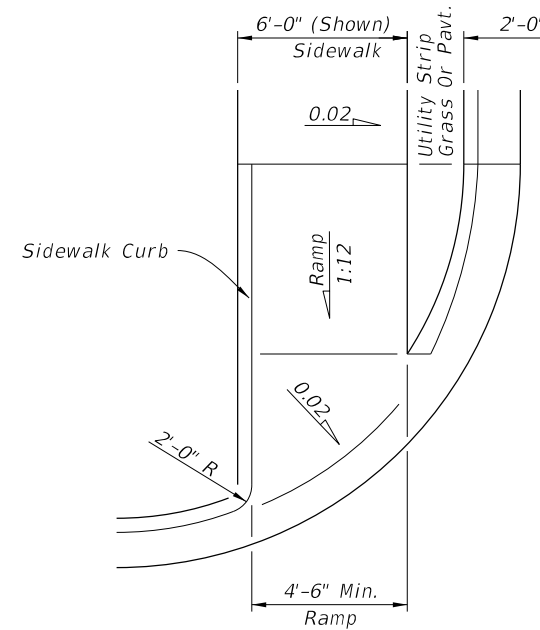
CR-E



OPTION A

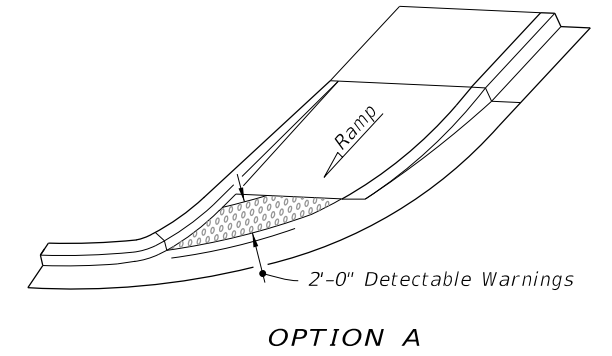


OPTION B  
ISOMETRIC VIEW

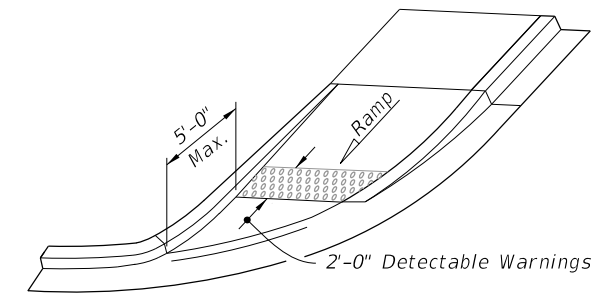


PLAN VIEW

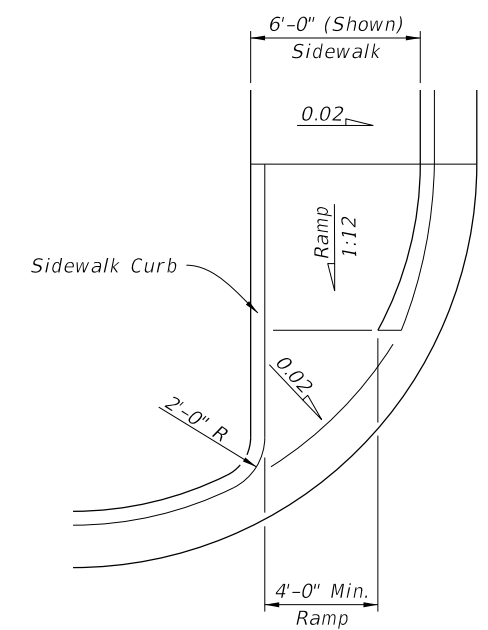
CR-F



OPTION A



OPTION B  
ISOMETRIC VIEW



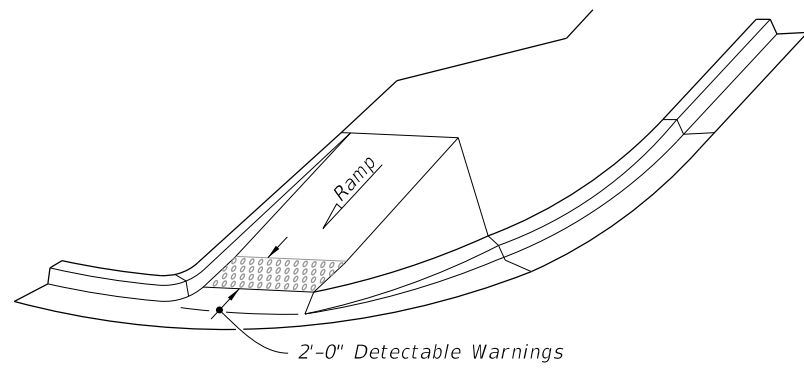
PLAN VIEW

CR-G

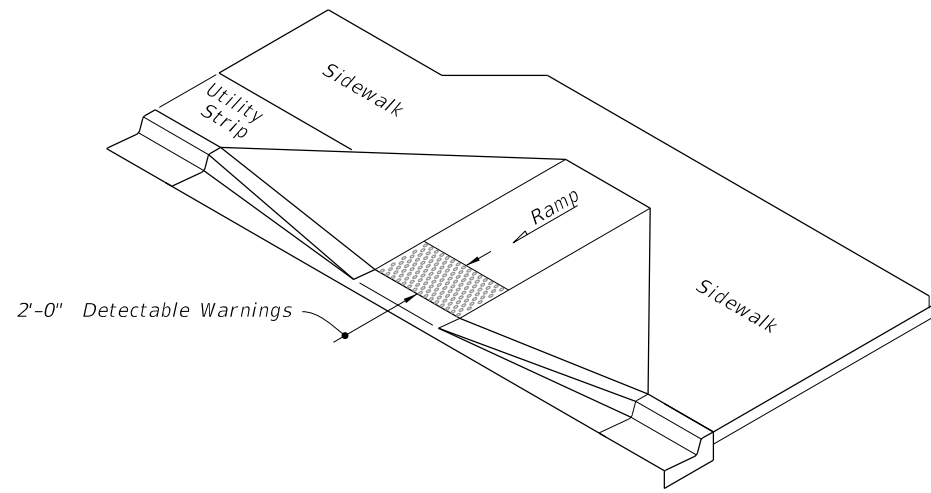
SIDEWALK CURB RAMPS CR-D, CR-E, CR-F & CR-G

9/10/2024 1:39:49 PM

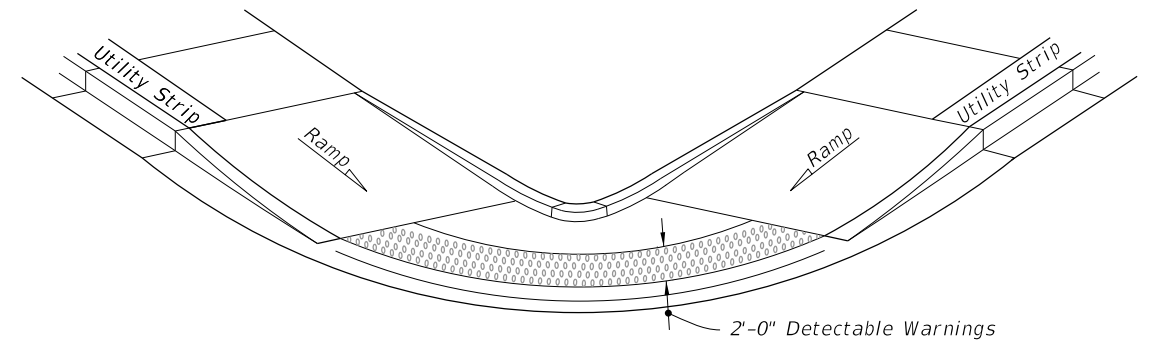
LAST REVISION 11/01/21	REVISION DESCRIPTION:	 FY 2025-26 STANDARD PLANS	DETECTABLE WARNINGS AND SIDEWALK CURB RAMPS	INDEX 522-002	SHEET 4 of 7
---------------------------	-----------------------	--	---	------------------	-----------------



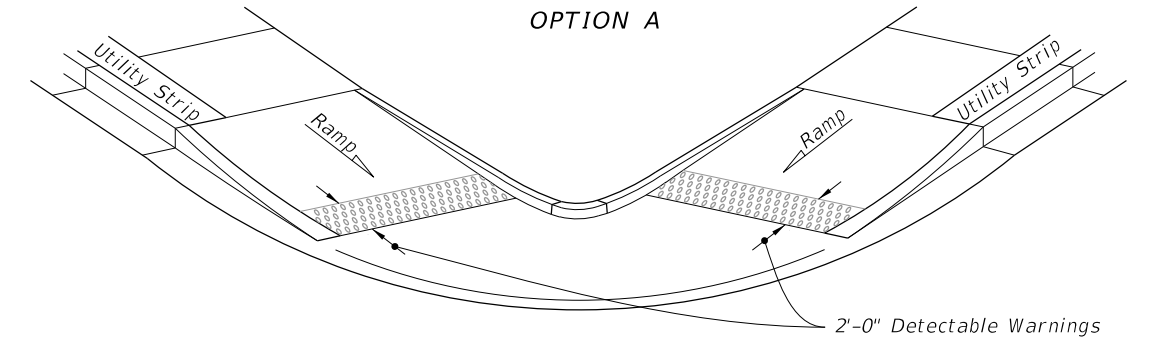
ISOMETRIC VIEW



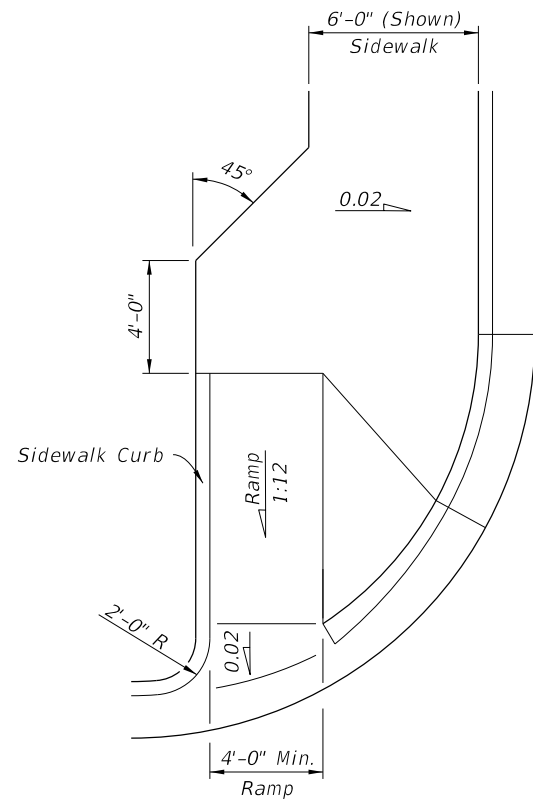
ISOMETRIC VIEW



OPTION A

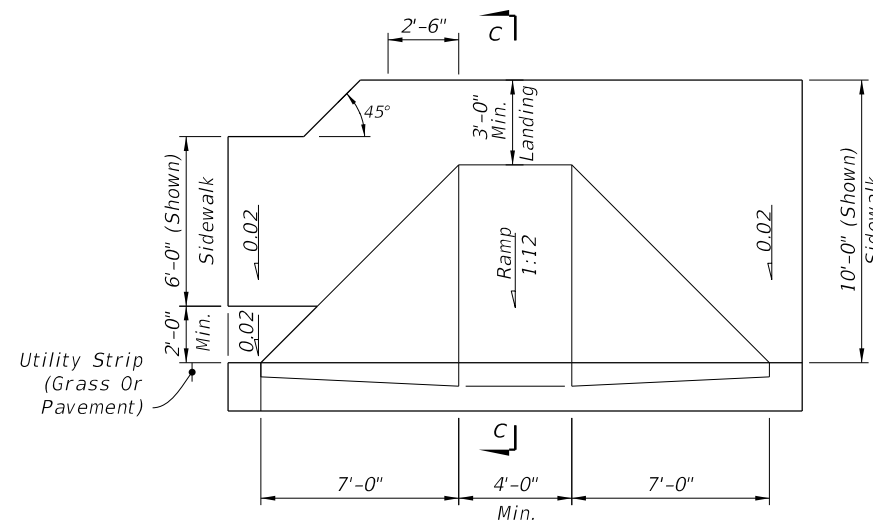


OPTION B



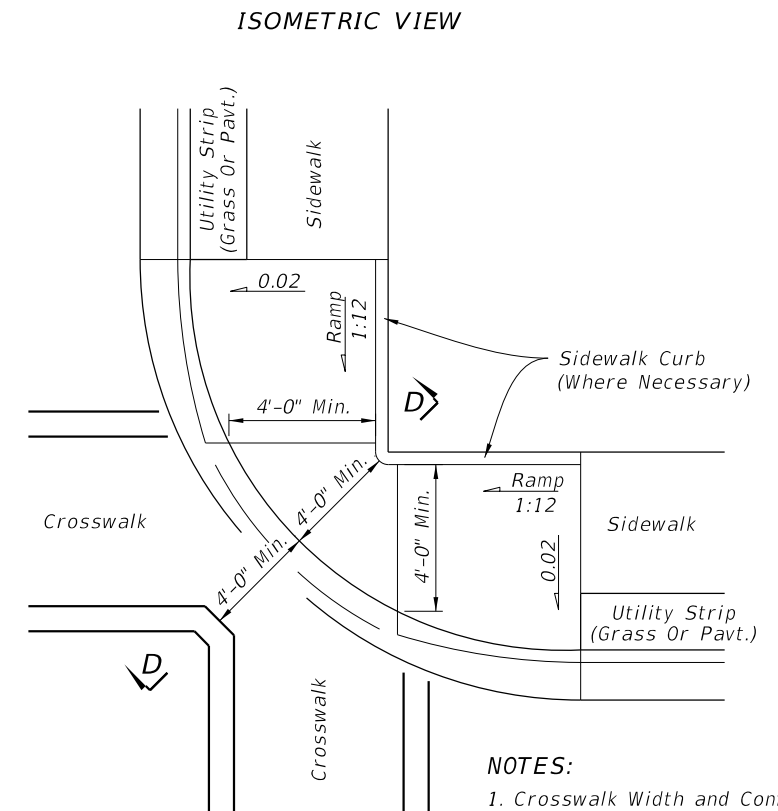
PLAN VIEW

CR-H



PLAN VIEW

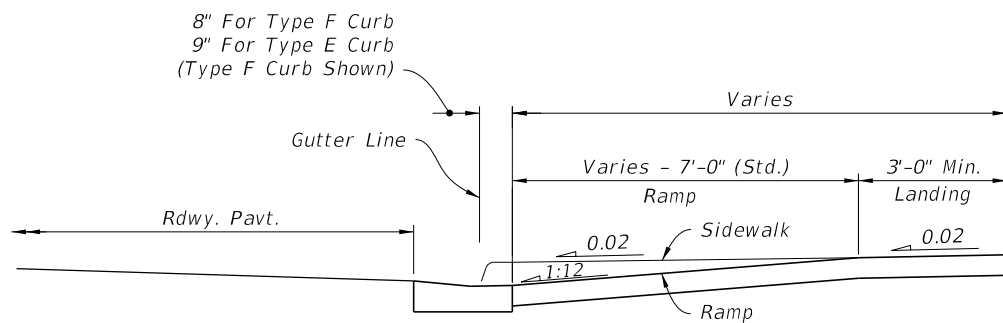
CR-K



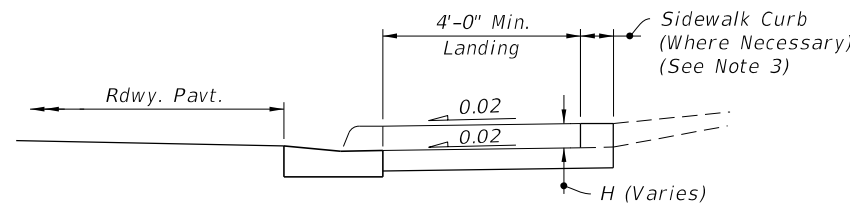
PLAN VIEW

CR-L

- NOTES:**
1. Crosswalk Width and Configuration Vary; Must Conform to Index 711-001.
  2. 15' Radius Curve Shown for CR-L.
  3. For additional information on sidewalk curb construction, see SIDEWALK CURB OPTIONS details, on Sheet 3.



SECTION C-C

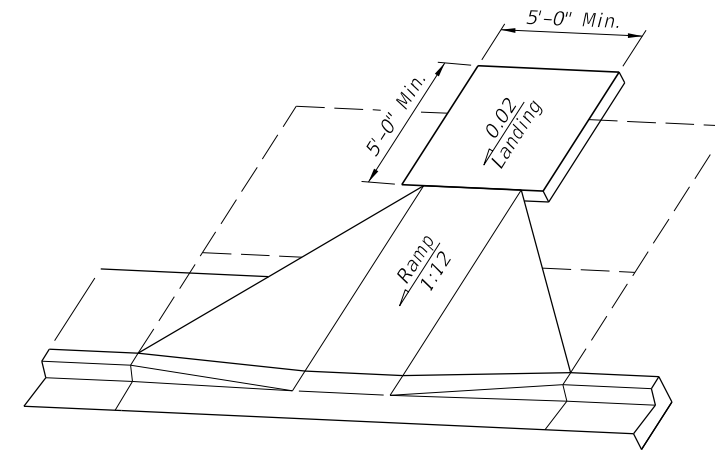
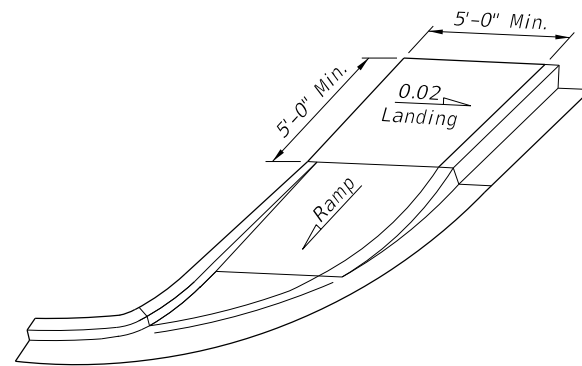
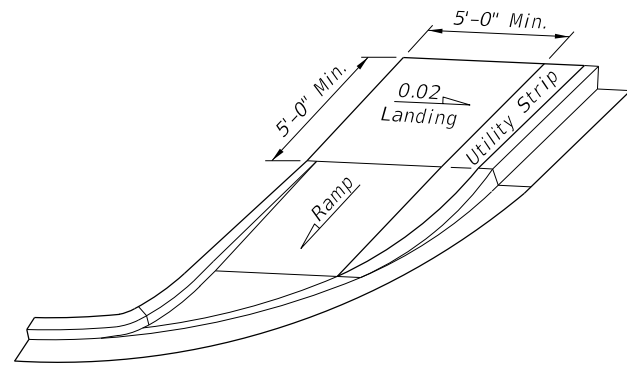


SECTION D-D

SIDEWALK CURB RAMPS CR-H, CR-K & CR-L

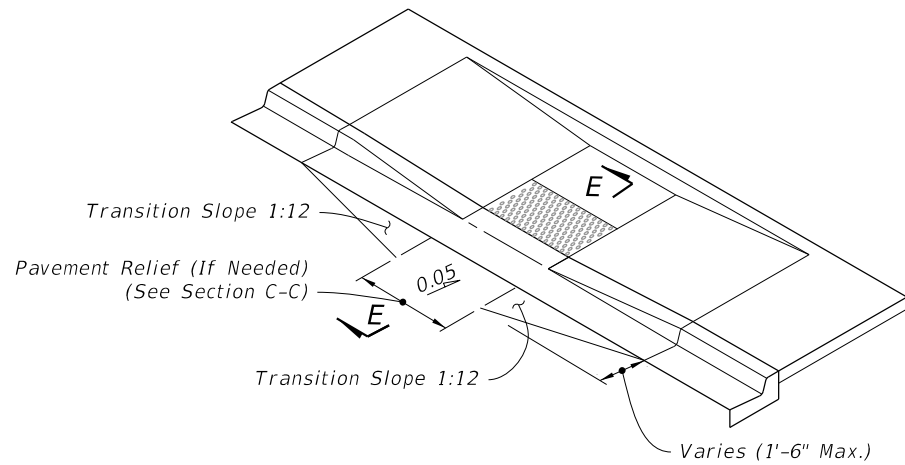
9/10/2024 1:39:56 PM

LAST REVISION 11/01/20	DESCRIPTION:		FY 2025-26 STANDARD PLANS	DETECTABLE WARNINGS AND SIDEWALK CURB RAMPS	INDEX 522-002	SHEET 5 of 7
---------------------------	--------------	--	------------------------------	---	------------------	-----------------

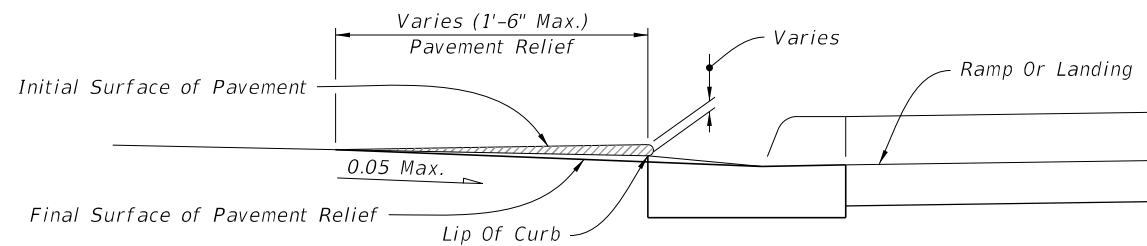


**LANDINGS FOR CURB RAMPS WITHOUT SIDEWALKS**

(See CR-F, CR-G & CR-K Respectively For Detectable Warning Details/Options)



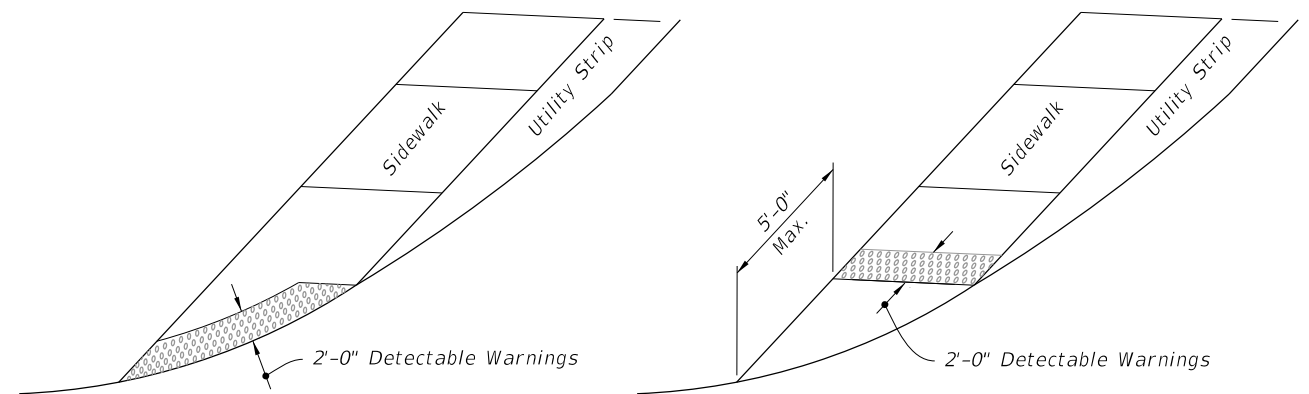
**ISOMETRIC VIEW**  
(CR-C Shown, Other Similar)



NOTE: Remove Elevated Pavement By Spading And Rolling, Smooth Milling, or Grinding.

**SECTION E-E**

**PAVEMENT RELIEF DETAILS**



**OPTION A**

**OPTION B**

**DETECTABLE WARNING ON FLUSH SHOULDER SIDEWALKS**

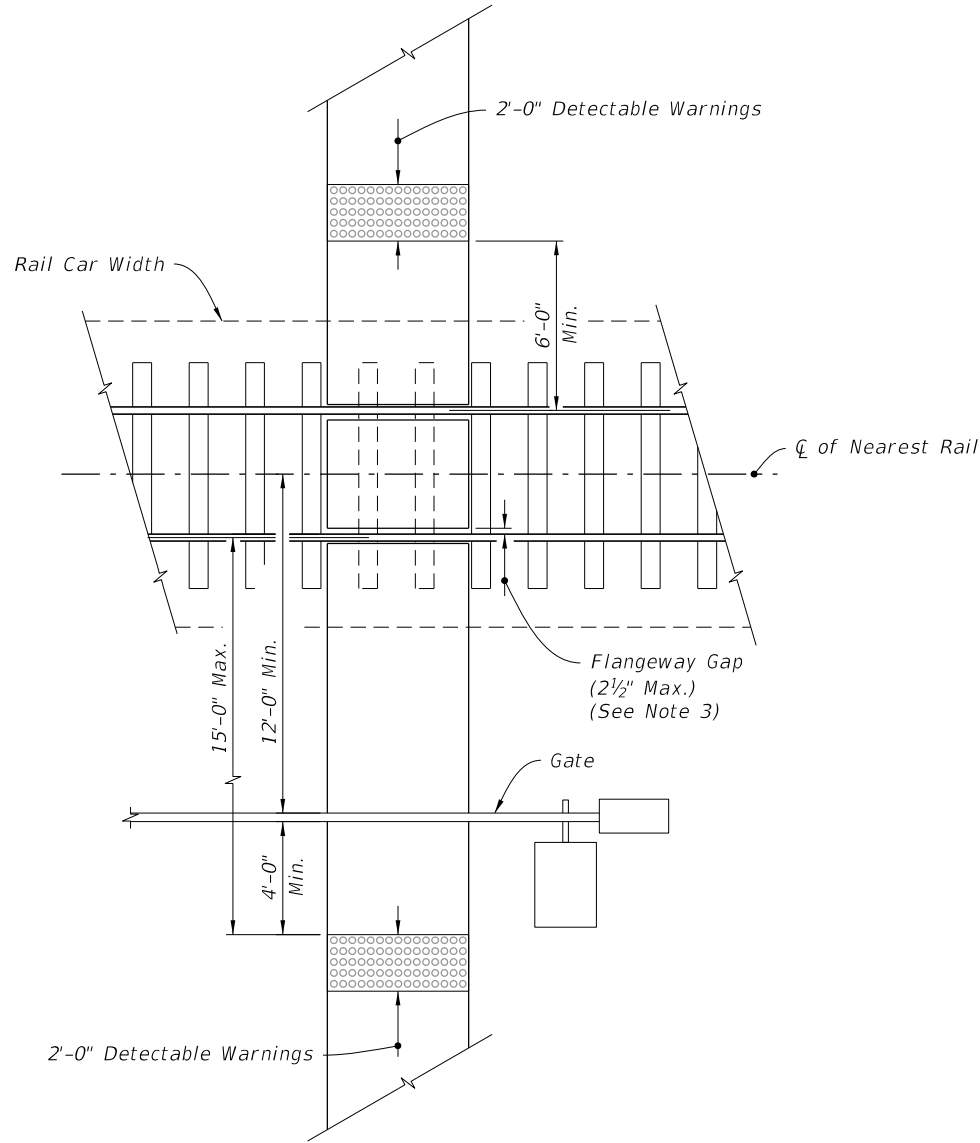
**CURB RAMPS WITHOUT SIDEWALKS AND FLUSH SHOULDER SIDEWALKS**

9/10/2024 1:40:02 PM

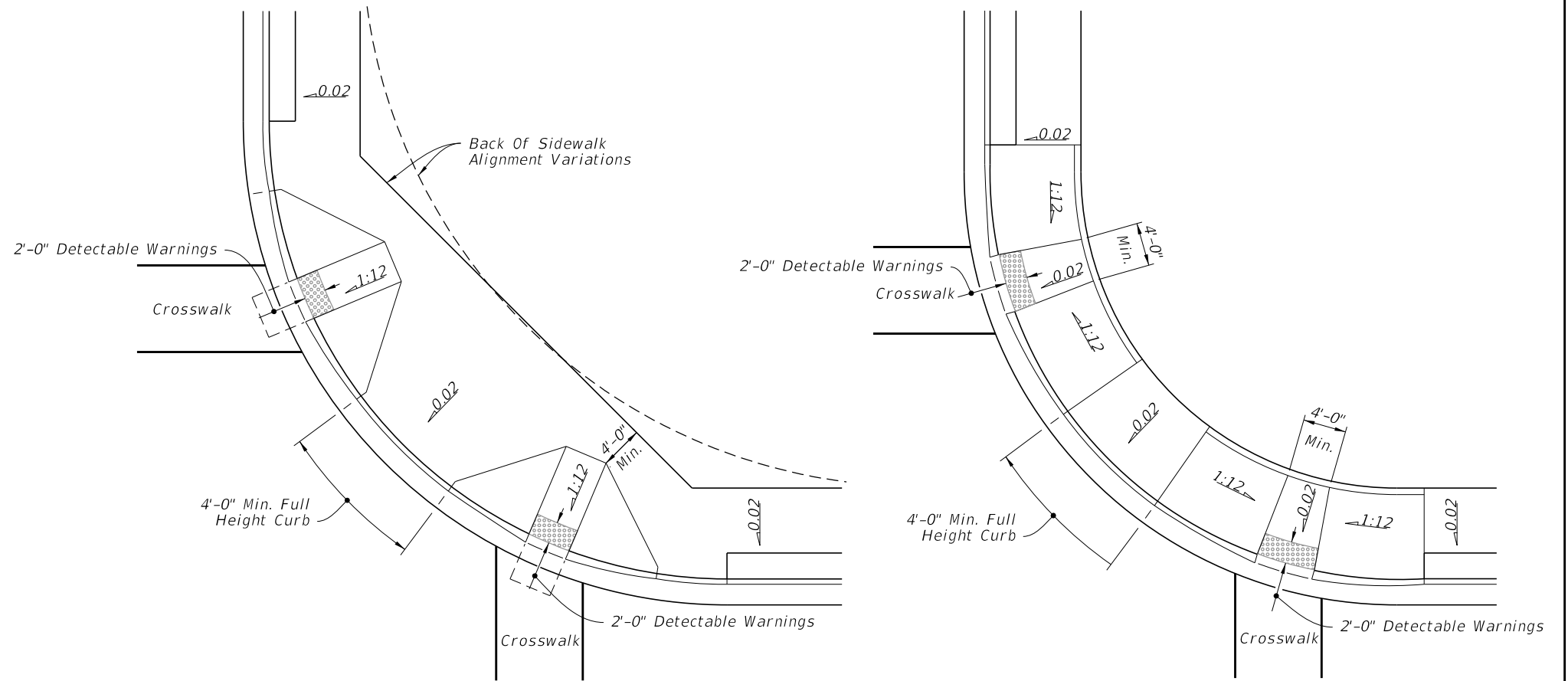
LAST REVISION 11/01/20	REVISION	DESCRIPTION:		FY 2025-26 STANDARD PLANS	DETECTABLE WARNINGS AND SIDEWALK CURB RAMPS	INDEX 522-002	SHEET 6 of 7
---------------------------	----------	--------------	---	------------------------------	---	------------------	-----------------

**NOTES:**

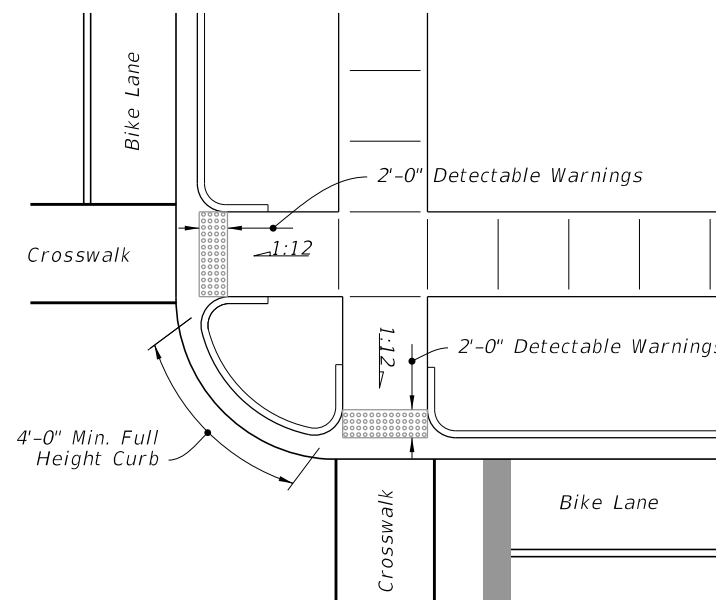
1. Where crosswalk markings are used, ramps must fall within the crosswalk limits. A clear space of 48" minimum is required at the bottom of the ramp within a marked crosswalk. If crosswalk markings are not present, a clear space of 48" minimum is required at the bottom of the ramp outside of active travel lanes.
2. Crosswalk widths and configurations vary; must conform to Index 711-001.
3. Flangeway Gap may be up to 3" for Freight-only Railways.



RAILROAD CROSSING

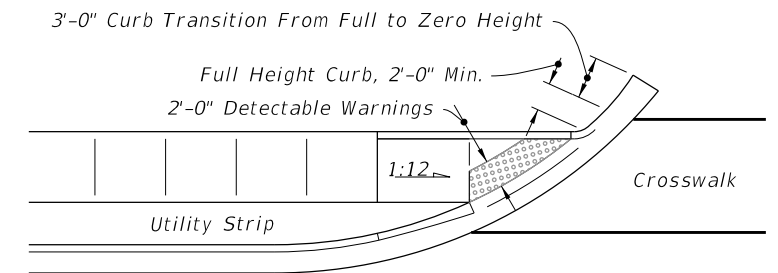


CURB RAMPS WITHIN RADIAL RETURN



CURB RAMPS OUTSIDE RADIAL RETURN

PLACEMENT OF SIDEWALK CURB RAMPS AT CURBED RETURNS (TYP.)



LINEAR SIDEWALK RAMPS

**RAILROAD CROSSING AND CURB RAMPS AT CURBED RETURNS**

9/10/2024 1:40:09 PM

LAST REVISION 11/01/20	REVISION	DESCRIPTION:		FY 2025-26 STANDARD PLANS	DETECTABLE WARNINGS AND SIDEWALK CURB RAMPS	INDEX 522-002	SHEET 7 of 7
---------------------------	----------	--------------	---	------------------------------	---	------------------	-----------------