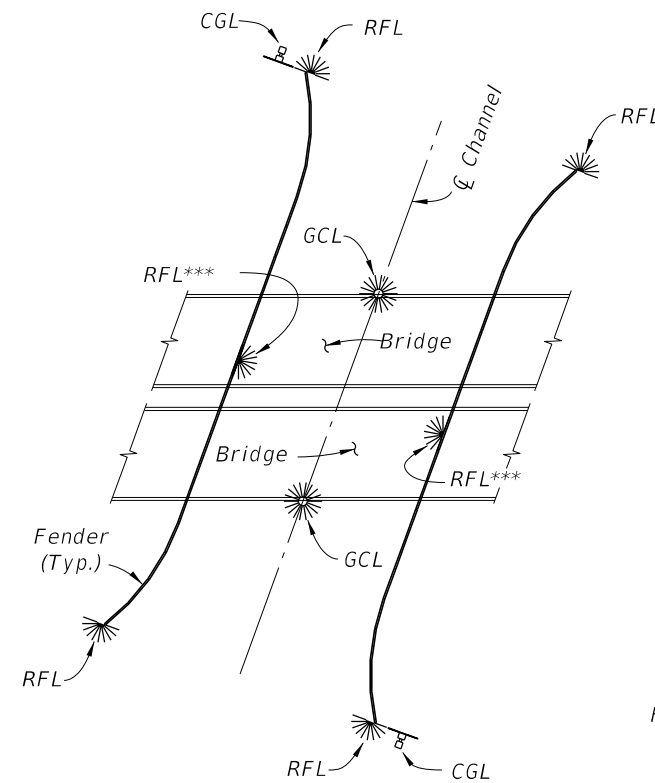
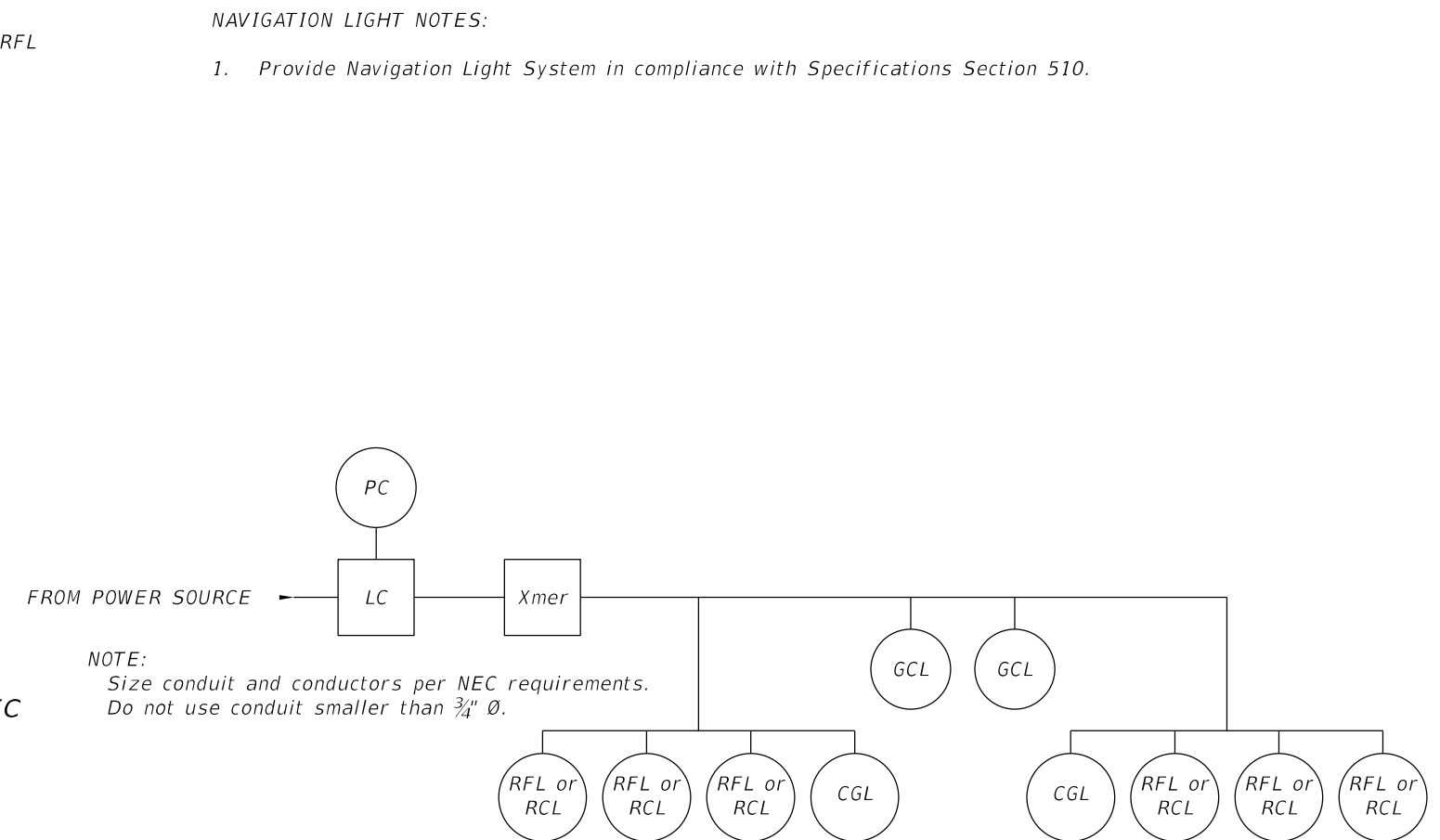


NAVIGATION LIGHT SYSTEM SCHEMATIC FOR SINGLE BRIDGE WITH FENDERS

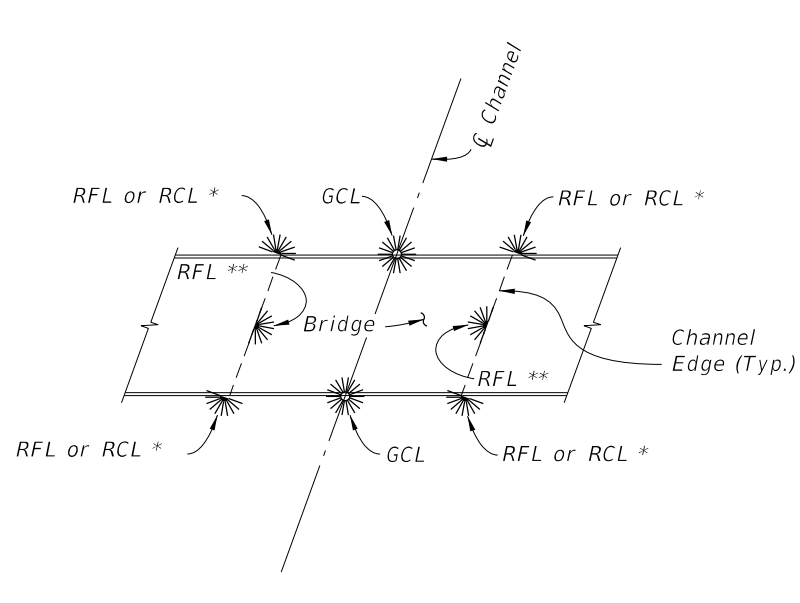


NAVIGATION LIGHT SYSTEM SCHEMATIC FOR DUAL BRIDGES WITH FENDERS

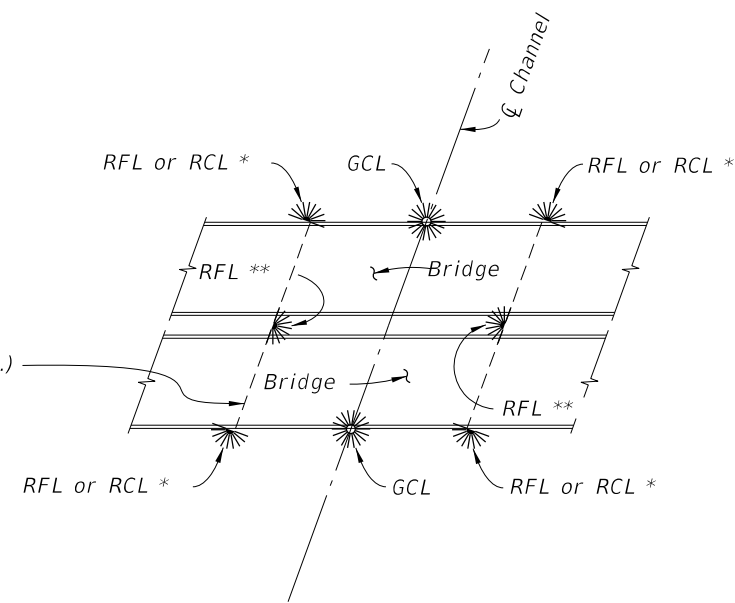


NOTE:
Size conduit and conductors per NEC requirements.
Do not use conduit smaller than 3/4" Ø.

TYPICAL ELECTRICAL SCHEMATIC DIAGRAM



NAVIGATION LIGHT SYSTEM SCHEMATIC FOR SINGLE BRIDGE WITHOUT FENDERS



NAVIGATION LIGHT SYSTEM SCHEMATIC FOR DUAL BRIDGES WITHOUT FENDERS

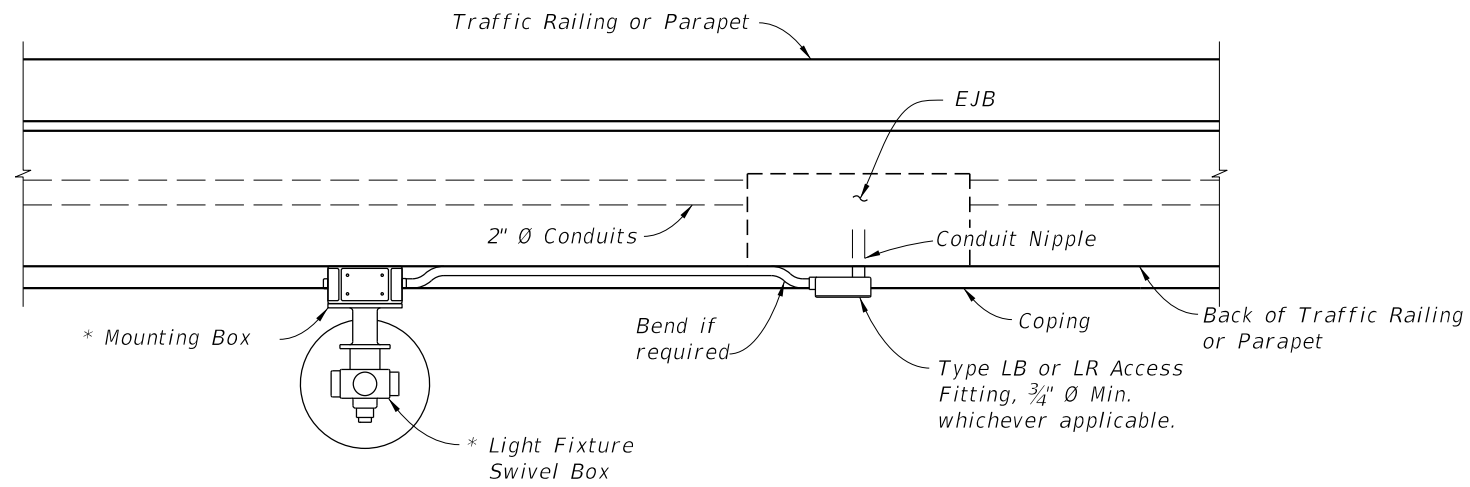
POWER CONDUCTORS			
DISTANCE (feet)	VOLTS	CONDUCTOR	TRANSFORMER
0 - 75	120	#12 AWG	N/A
75 - 500	120 or 240	#10 AWG	N/A
500-1000	240	#10 AWG	N/A
1000-2000	480	#10 AWG	2 KVA
2000-5000	480	#8 AWG	2 KVA
5000-10000	480	#6 AWG	2 KVA
over 10000	480	#4 AWG	2 KVA

LEGEND

- SYMBOL DESCRIPTION
- LC Lighting Contactor
 - PC Photocell Control
 - Xmer Transformer (If Required)
 - RFL Red Pier/Fender Light (180° visibility)
or
 RCL Red Channel Margin Light (180° visibility)
 - GCL Green Center Channel Light (360° visibility)
 - CGL Clearance Gauge Light
 - CM Channel Margin or Pier inner surface whichever defines Channel Edge.

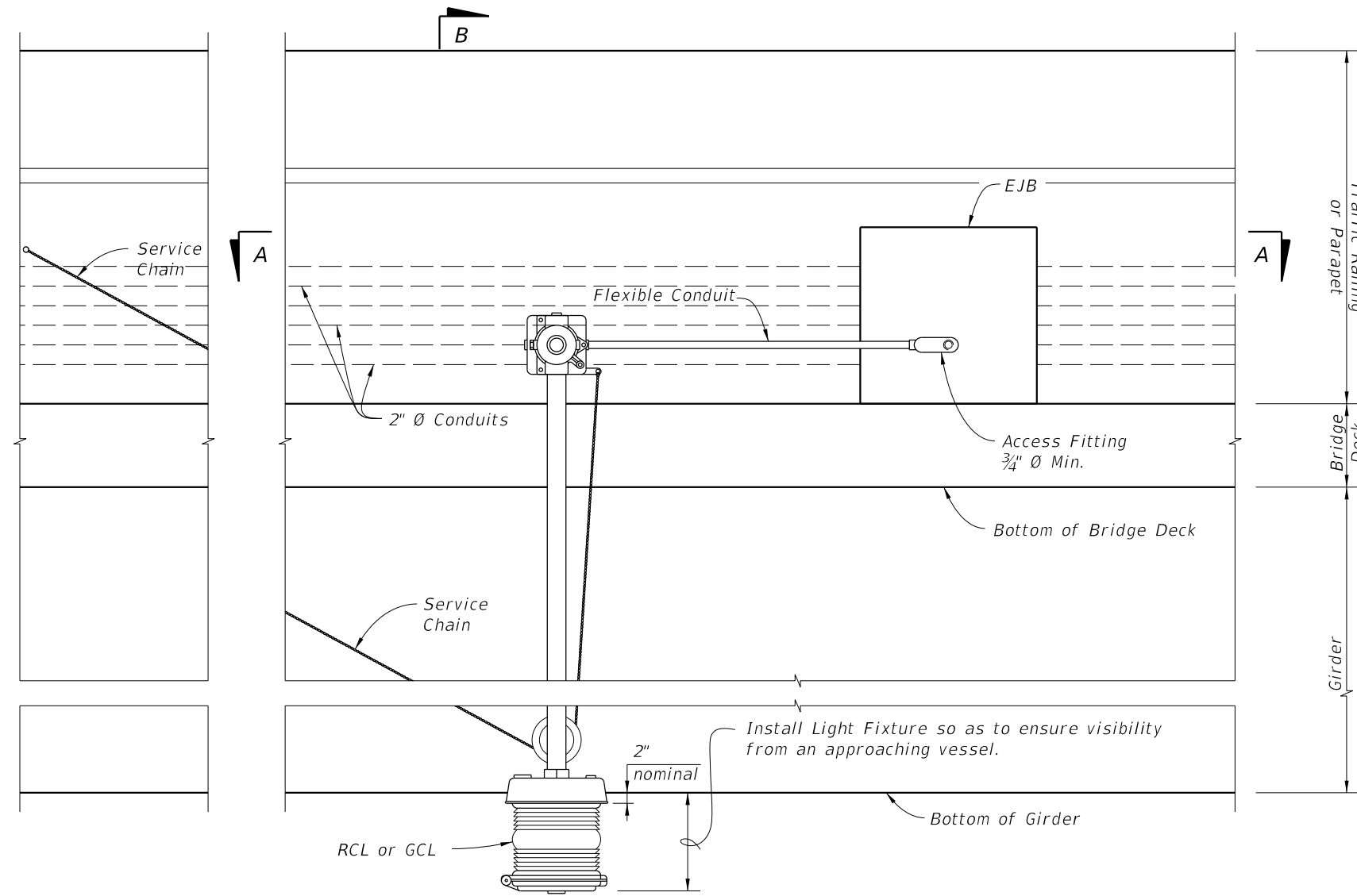
* Use RFL when Pier is at Channel Edge and see CFR, Title 33, part 118 for Mounting Height restrictions. Use RCL otherwise.
 ** Mounted only on the Pier that defines CM, otherwise does not apply.
 *** RFL to be located at mid length of straight portion of fender.

10/17/2024 10:22:37 AM

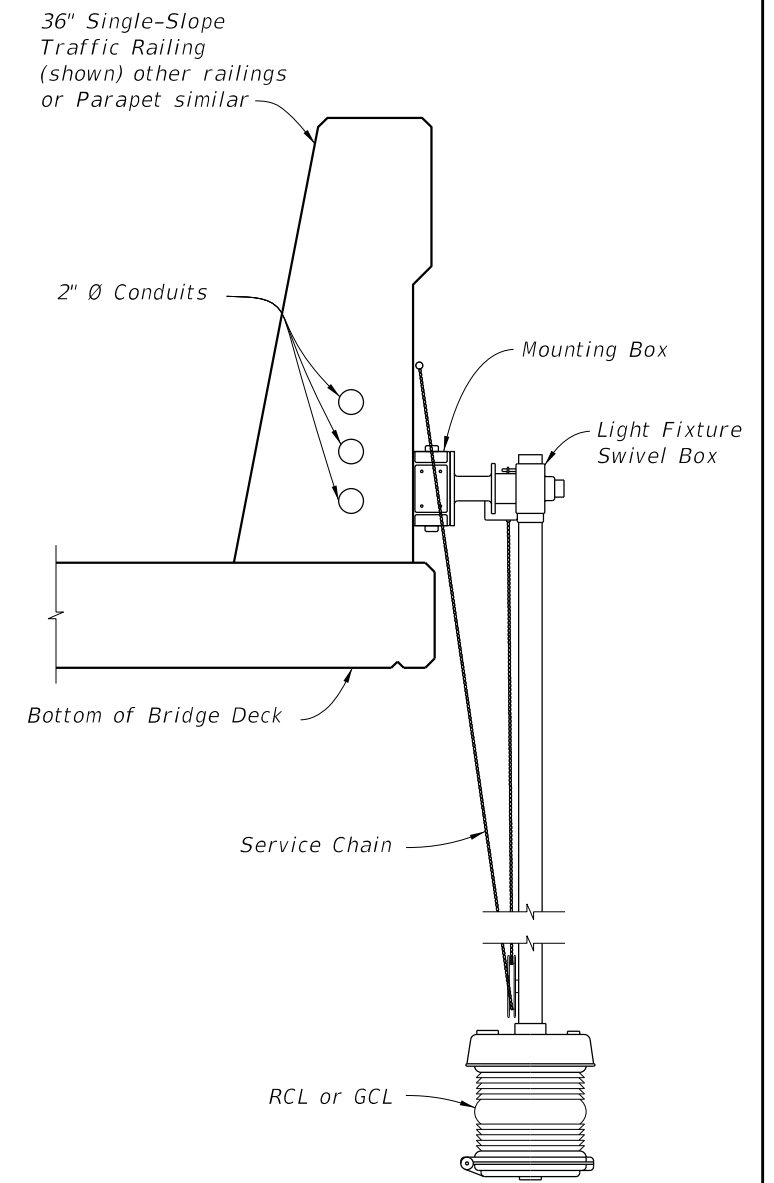


GCL OR RCL MOUNTING DETAILS (SCHEMATIC)
VIEW A-A

CROSS REFERENCES:
1. For Navigation Light System notes and legend, see Sheet 1.
2. See Utility Conduit Detail sheets for Embedded Junction Box (EJB) dimensions & locations.
* Supplied by Light Fixture Manufacturer




GCL OR RCL MOUNTING DETAILS (SCHEMATIC)
ELEVATION VIEW
(Traffic Railing (36" Single-Slope) shown, other railings similar)



SECTION B-B
TYPICAL POSITION OF RCL OR GCL
RELATIVE TO SUPERSTRUCTURES

10/17/2024 10:22:44 AM

LAST REVISION 11/01/17	DESCRIPTION:	 FY 2025-26 STANDARD PLANS	NAVIGATION LIGHT SYSTEM DETAILS (FIXED BRIDGES)	INDEX 510-001	SHEET 2 of 2
---------------------------	--------------	--	--	------------------	-----------------