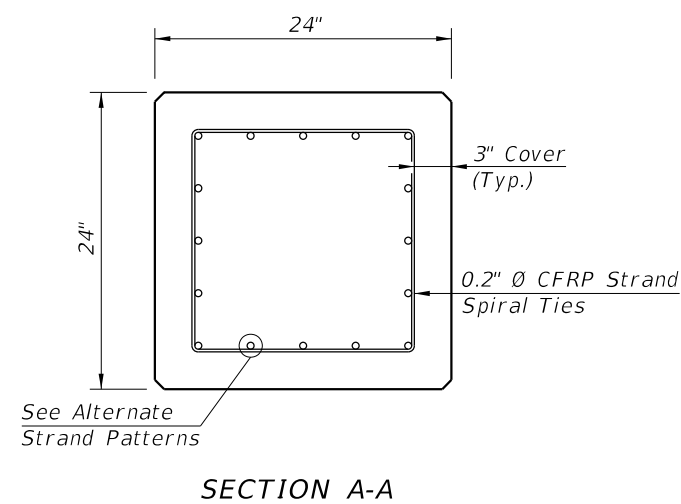


**SPIRAL TIE ELEVATION**

\*\* See Note 4 on Index 455-102

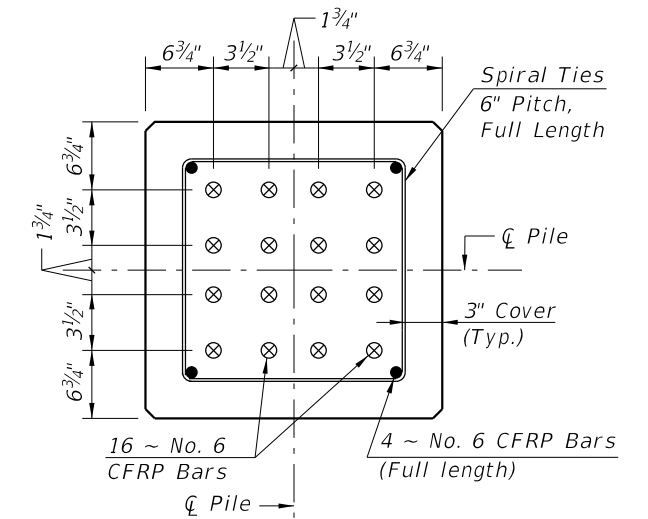
**ALTERNATE STRAND PATTERNS**

16 ~ 0.6" Ø, CFRP 7-Strand, at 42 kips  
 20 ~ 1/2" Ø, CFRP Single-Strand, at 35 kips

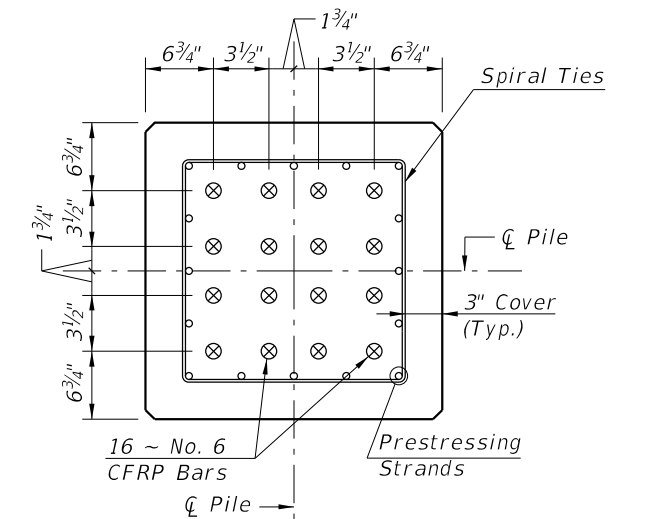


**NOTES:**

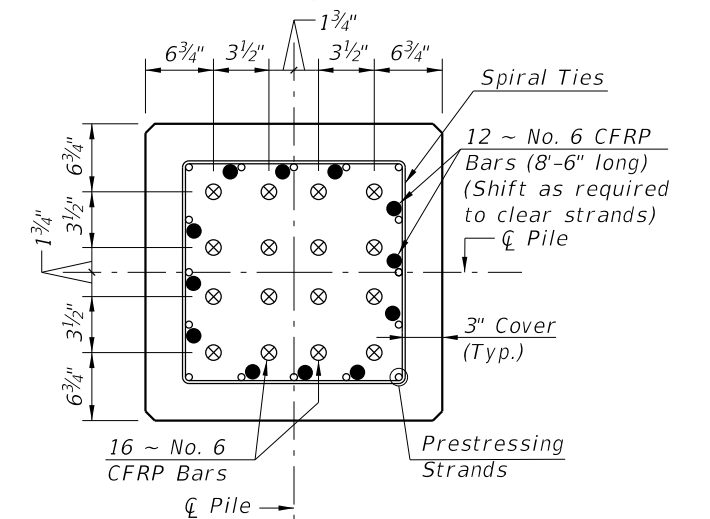
1. Work this Index with Index 455-101 - Typical Details and Notes for Square CFRP & SS Prestressed Concrete Piles and Index 455-102 - Square CFRP & SS Prestressed Concrete Pile Splices.
2. Any of the given Strand Patterns may be utilized.  
 The strands shall be located as follows:  
 Place one strand at each corner and place the remaining strands equally spaced between the corner strands.  
 The total strand pattern shall be concentric with the nominal concrete section of the pile.



**SECTION D-D**  
 (See Non-Drivable Unforeseen Reinforced Precast Pile Build-Up Detail)



**SECTION E-E**  
 (See Drivable Prestressed Precast Pile Splice Detail)

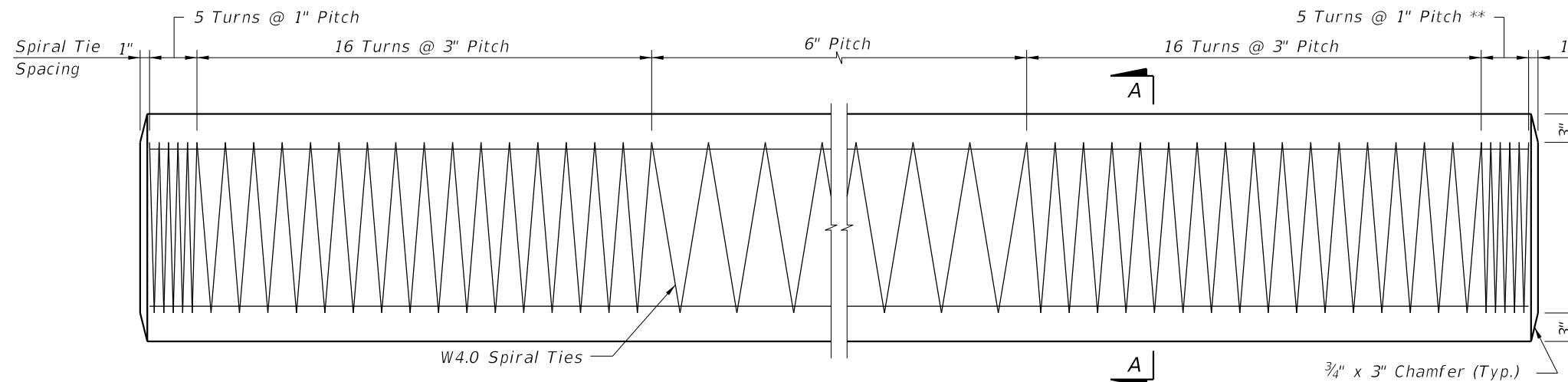


**SECTION F-F**  
 (See Drivable Preplanned Prestressed Precast Pile Splice Detail)  
**CFRP PILE SPLICE REINFORCEMENT DETAILS**

**CFRP PRESTRESSED PILE DETAILS**

10/17/2024 10:08:10 AM

LAST REVISION 11/01/20	REVISION	DESCRIPTION:		<b>FY 2025-26 STANDARD PLANS</b>	<b>24" SQUARE CFRP &amp; SS PRESTRESSED CONCRETE PILE</b>	INDEX 455-124	SHEET 1 of 2
---------------------------	----------	--------------	--	--------------------------------------	---	------------------	-----------------

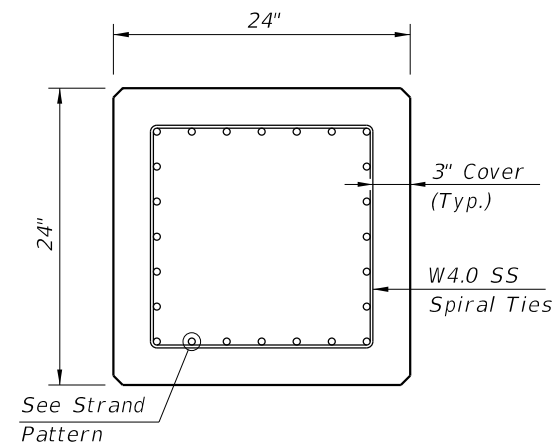


ELEVATION

\*\* See Note 4 on Index 455-102

**STRAND PATTERN**

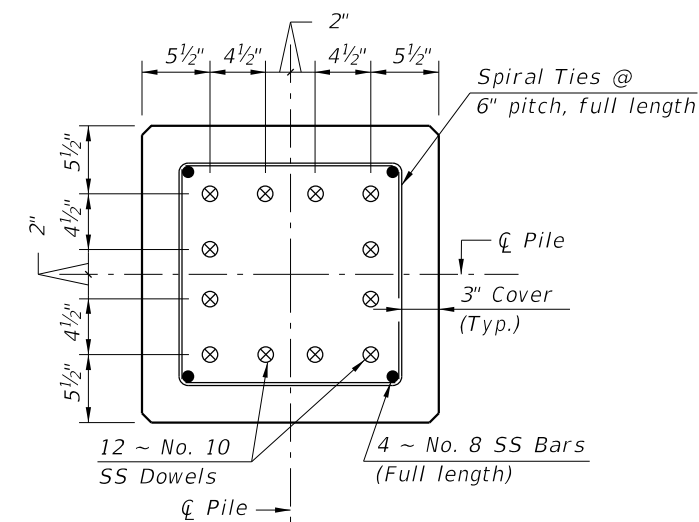
28 ~ 0.52" Ø, HSSS at 26 kips  
 20 ~ 0.62" Ø, HSSS at 35 kips



SECTION A-A

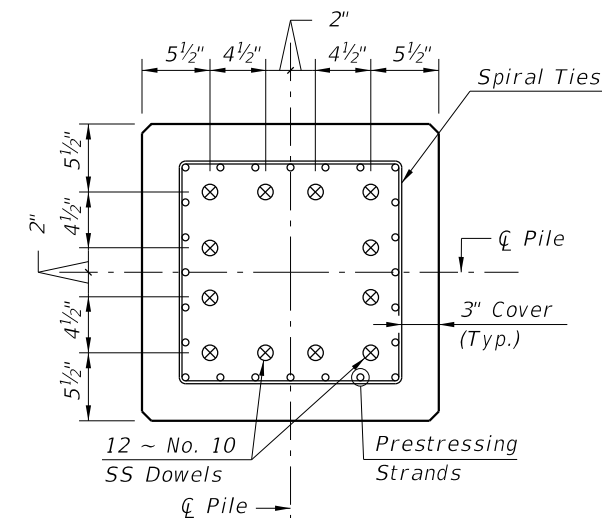
**NOTES:**

1. Work this Index with Index 455-101 - Typical Details and Notes for Square CFRP & SS Prestressed Concrete Piles and Index 455-102 - Square CFRP & SS Prestressed Concrete Pile Splices.
2. Any of the given Strand Patterns may be utilized.  
 The strands shall be located as follows:  
 Place one strand at each corner and place the remaining strands equally spaced between the corner strands.  
 The total strand pattern shall be concentric with the nominal concrete section of the pile.



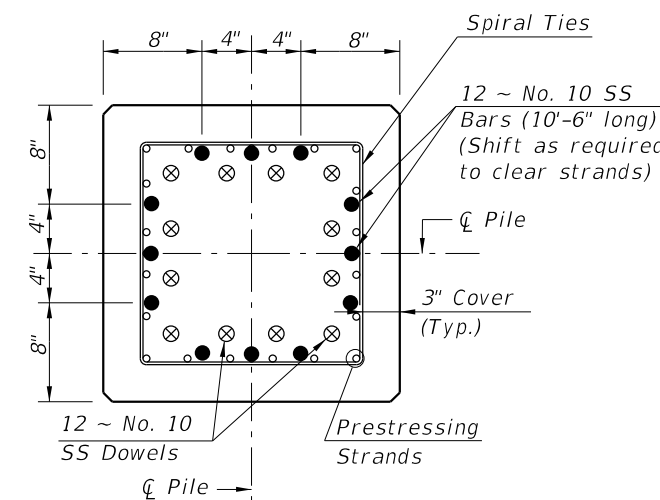
SECTION D-D

(See Non-Drivable Unforeseen Reinforced Precast Pile Build-Up Detail)



SECTION E-E

(See Drivable Prestressed Precast Pile Splice Detail)



SECTION F-F

(See Drivable Preplanned Pile Splice Detail)

**SS PILE SPLICE REINFORCEMENT DETAILS**

**SS PRESTRESSED PILE DETAILS**

10/17/2024 10:08:17 AM

LAST REVISION 11/01/24	DESCRIPTION:
---------------------------	--------------



FY 2025-26  
STANDARD PLANS

24" SQUARE CFRP & SS PRESTRESSED  
CONCRETE PILE

INDEX  
455-124

SHEET  
2 of 2