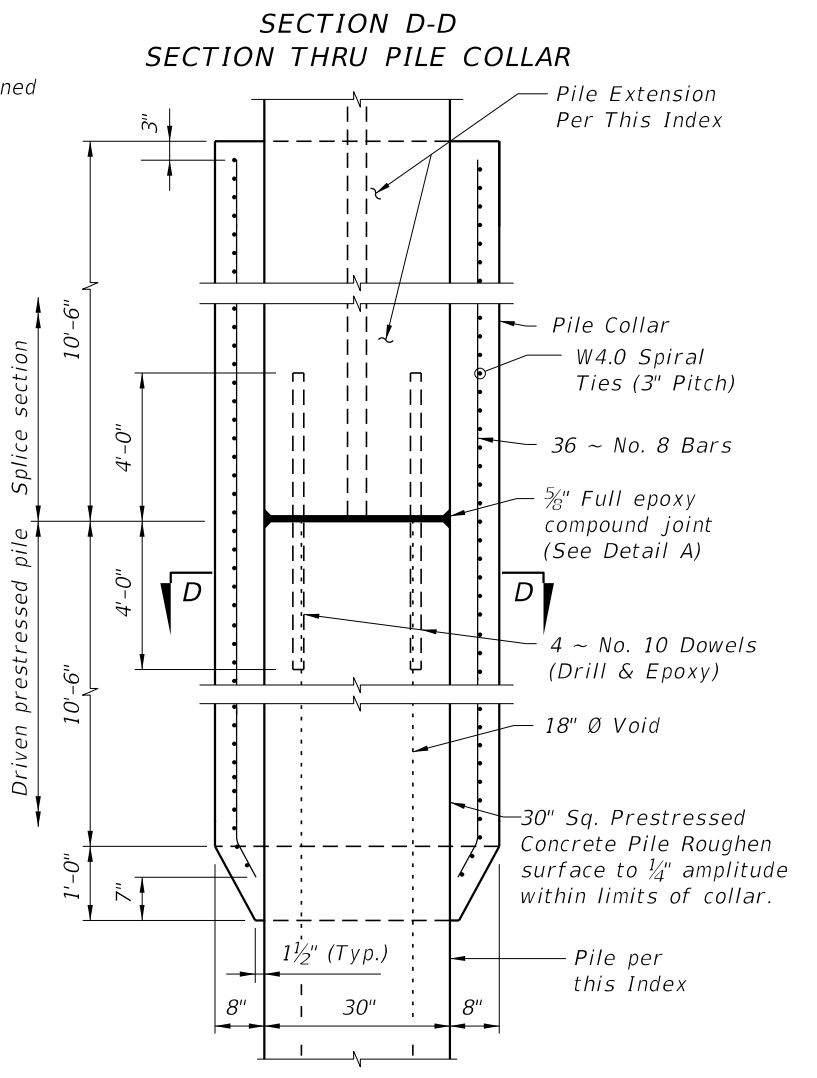
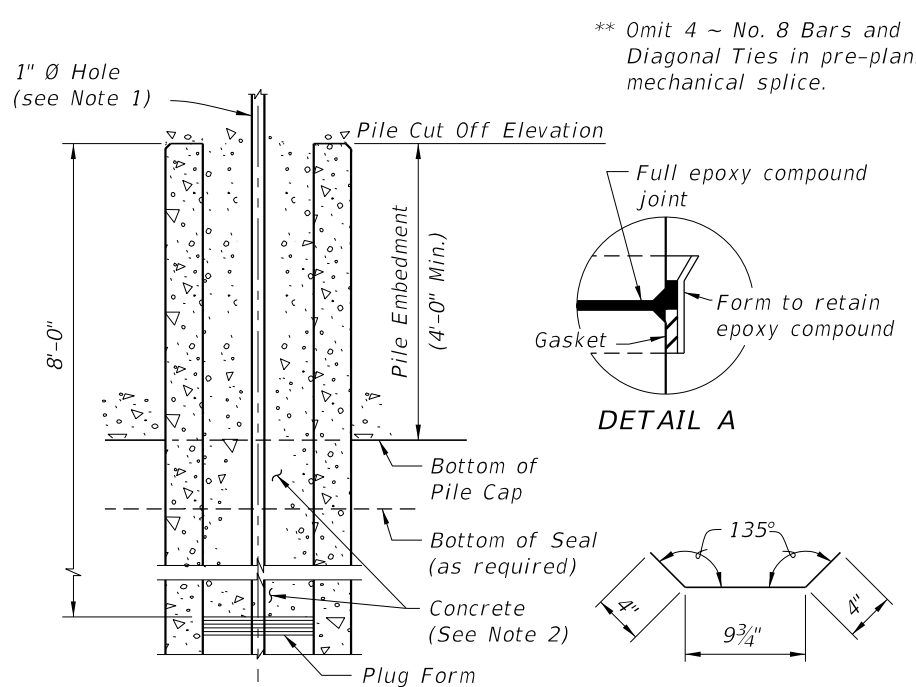


**STRAND PATTERN**  
28 ~ 0.6" Ø, Grade 270 LRS, at 29.5 kips



**DETAIL OF PILE COLLAR FOR HIGH MOMENT CAPACITY 30" SQUARE PRESTRESSED PILE - PILE SPLICE DETAIL-**

- NOTES:**
- Venting shall be provided by the use of a 1" Ø PVC conduit through a substructure cap or column. Voids between segments of spliced piles shall be connected by 2" Ø hole(s).
  - After the pile is driven and cut to elevation, the top 8'-0" of the 18" Ø Void shall be filled with concrete. Prior to filling the top 8'-0" of the 18" Ø Void with concrete, strip the cardboard form material from the void. The concrete fill material shall be of the same type and strength as called for in the pile cap and paid for as substructure concrete.
  - Collar concrete shall reach a strength of 6,000 psi before pile driving is resumed.
  - Work this Index with Index 455-001 - Notes and Details for Square Prestressed Concrete Piles.

10/17/2024 10:01:48 AM

LAST REVISION 11/01/23	DESCRIPTION:	FDOT	FY 2025-26 STANDARD PLANS	30" SQUARE PRESTRESSED CONCRETE PILE - HIGH MOMENT CAPACITY	INDEX 455-031	SHEET 1 of 1
---------------------------	--------------	------	------------------------------	--	------------------	-----------------