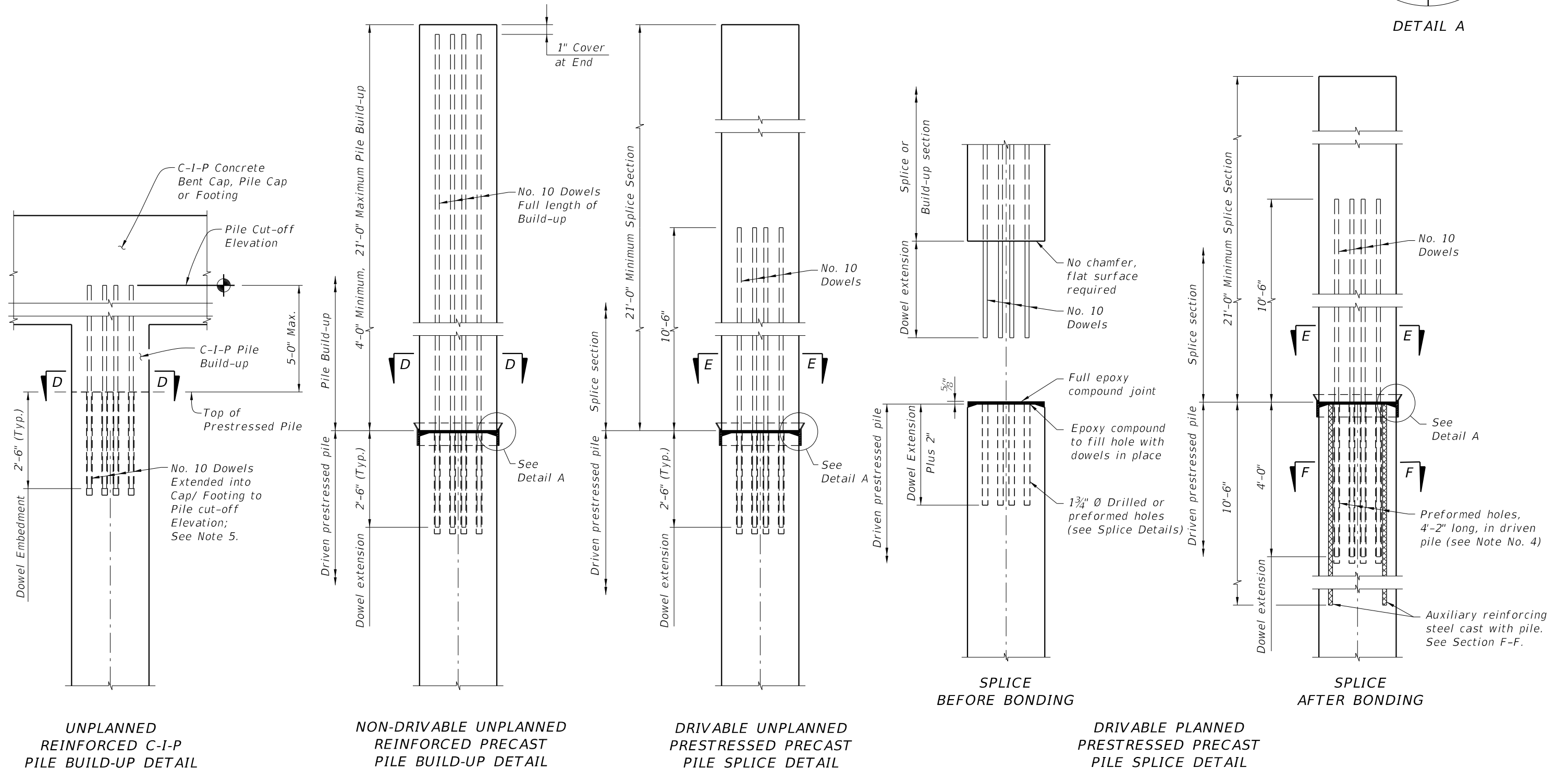
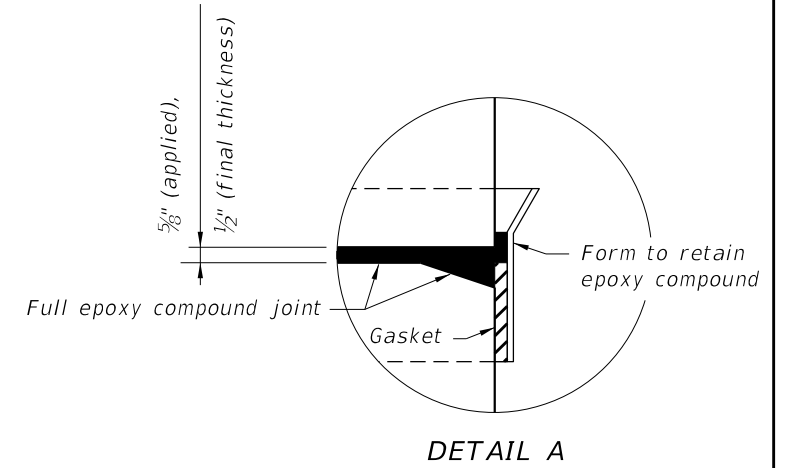



NOTES:

- For Sections D-D, E-E, & F-F see Index 455-012 thru 455-030 for applicable concrete pile size and Pile Splice Reinforcement Details.
- Prestressing strands, spiral ties and/or reinforcement are not shown for clarity.
- When pile splices are necessary due to shipping and handling limitations, use the "Drivable Planned Prestressed Precast Splice Detail" or Mechanical Pile Splices on the Approved Products List (APL).
- When preformed dowel holes are used, continue the 1" spiral tie pitch to 4'-0" below the head of the pile, See Index 455-018, 455-020 & 455-024. For preformed holes; use either removable preforming material or stay-in-place corrugated galvanized steel ducts meeting ASTM Specification A653, Coating Designation G90, 26 gauge. Use 2" diameter ducts with a minimum corrugation (rib) height of 0.12 in. fabricated with either welded or interlocked seams. Galvanizing of welded seams is not required.
- For tension piles where top of Prestressed Pile is less than 3 feet below Pile Cut-off Elevation, extend No. 10 Dowels into cap beyond Pile Cut-off Elevation to achieve development as approved by the Engineer.



10/17/2024 9:57:42 AM

LAST REVISION 11/01/22	DESCRIPTION:		FY 2025-26 STANDARD PLANS	SQUARE PRESTRESSED CONCRETE PILE SPLICES	INDEX 455-002	SHEET 1 of 1
---------------------------	--------------	---	------------------------------	--	------------------	-----------------