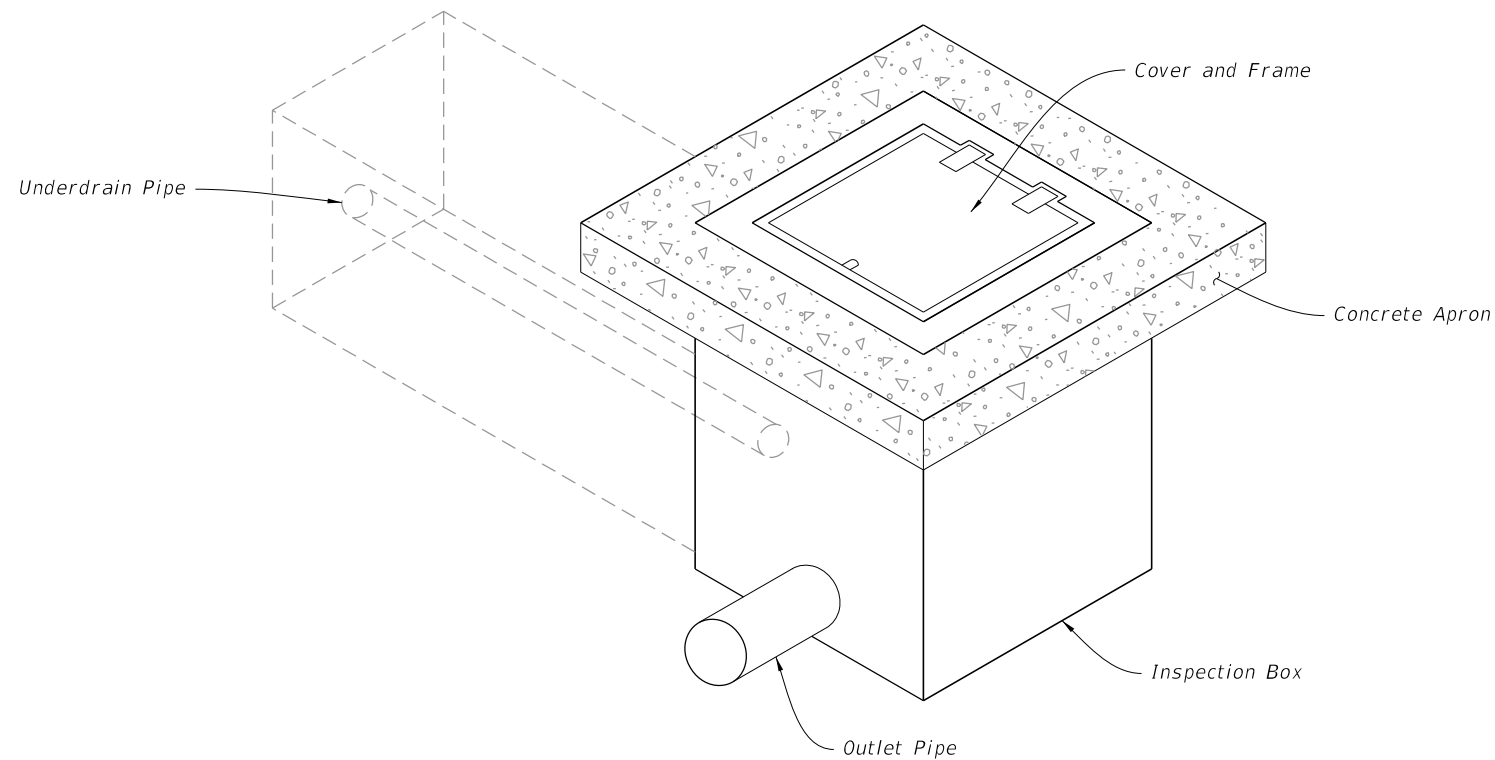


**GENERAL NOTES:**

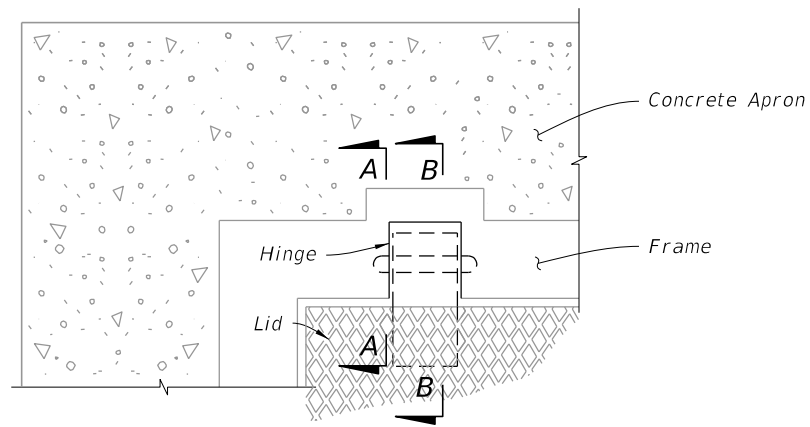
1. Install light duty cast iron cover and frame in accordance with Specification 962.
2. Use Class II concrete. Use No. 3 bars (Grade 60) on 8" centers both ways, sides and bottom.
3. Furnish covers with pick holes. Do not use fitted lifts or handles.
4. Manhole Type P Alternate A, Index 425-010, Type I Frame and Cover, Index 425-001, may be used in lieu of the box detailed in this Index.

| TABLE OF CONTENTS: |  |
|--------------------|--|
| Sheet              | Description  |
| 1                  | General Notes and Contents                             |
| 2                  | Typical Inspection Box Installation                    |
| 3                  | Typical Urban, Slope, and Top Adjustment Installations |

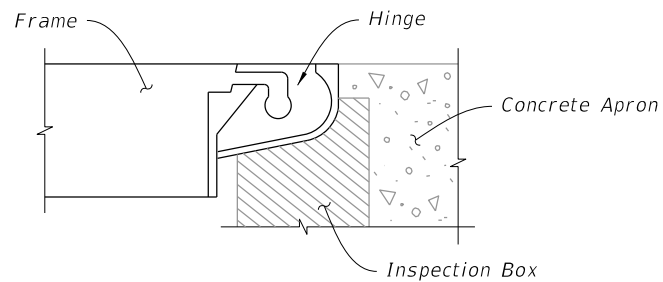


===== UNDERDRAIN INSPECTION BOX ASSEMBLY =====

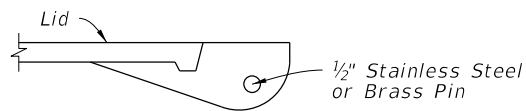
9/10/2024 1:03:59 PM



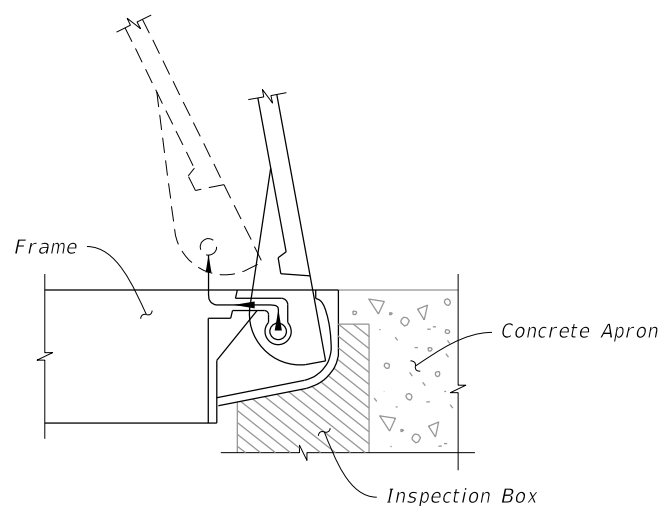
PLAN VIEW



SECTION A-A  
(Frame)

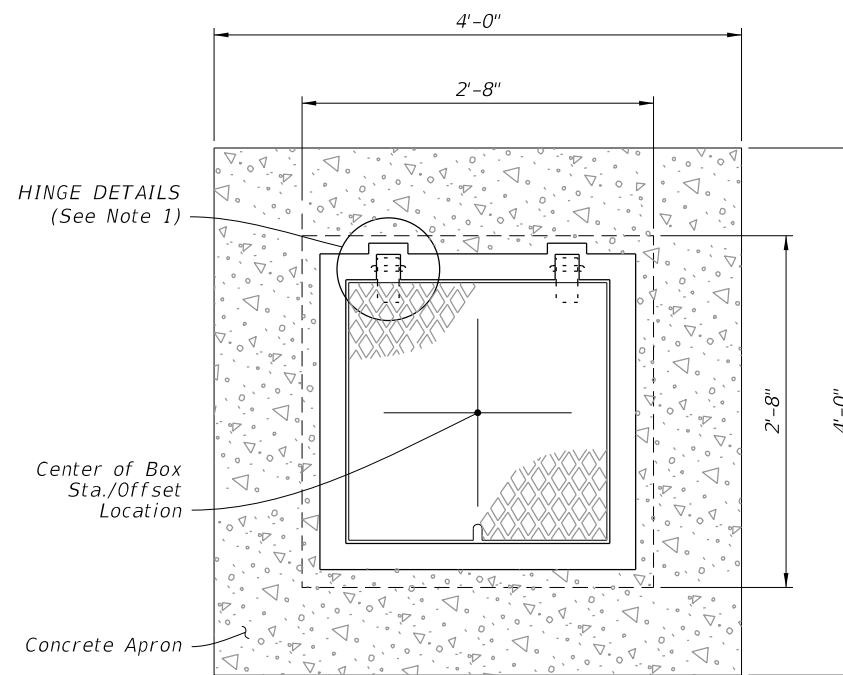


SECTION B-B  
(Lid)

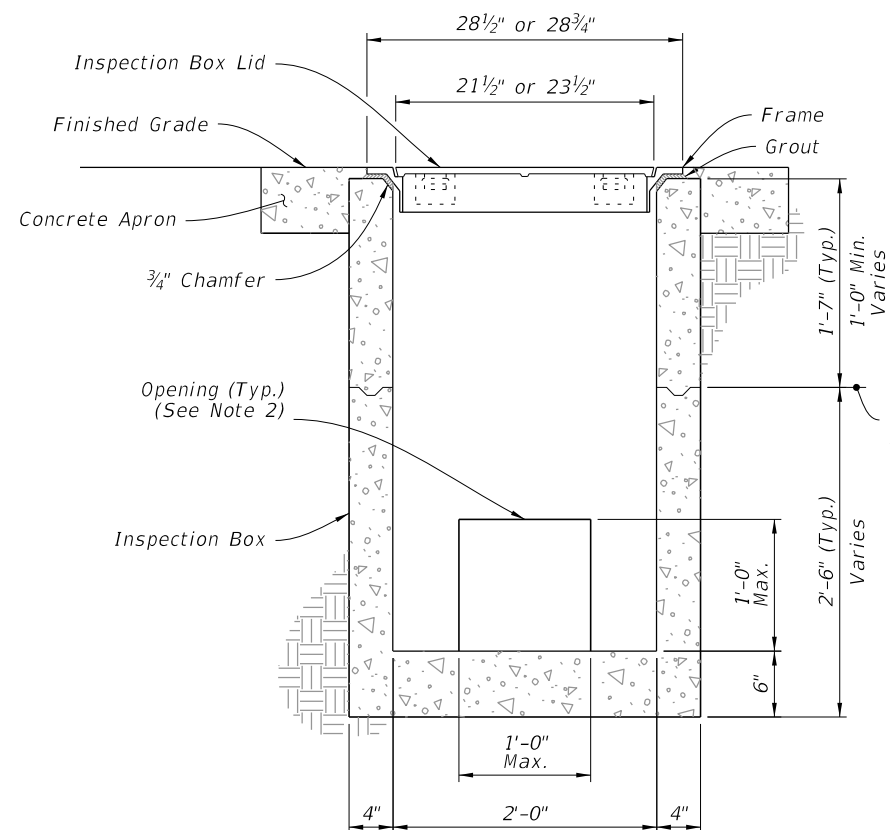


COVER REMOVAL

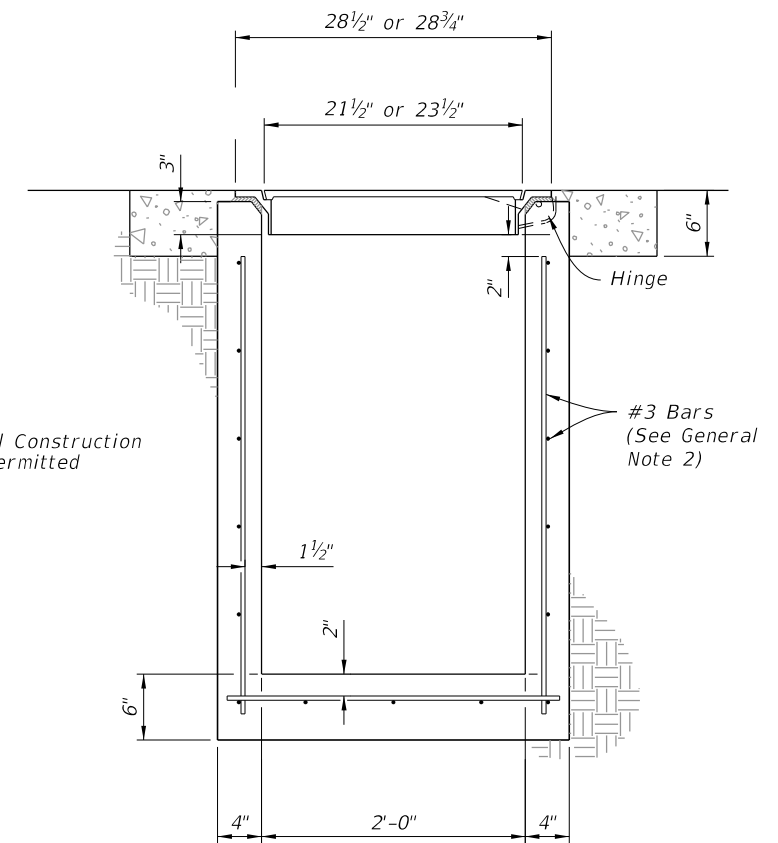
HINGE DETAIL



PLAN



ELEVATION  
(FRONT VIEW)



ELEVATION  
(SIDE VIEW)

**NOTES:**

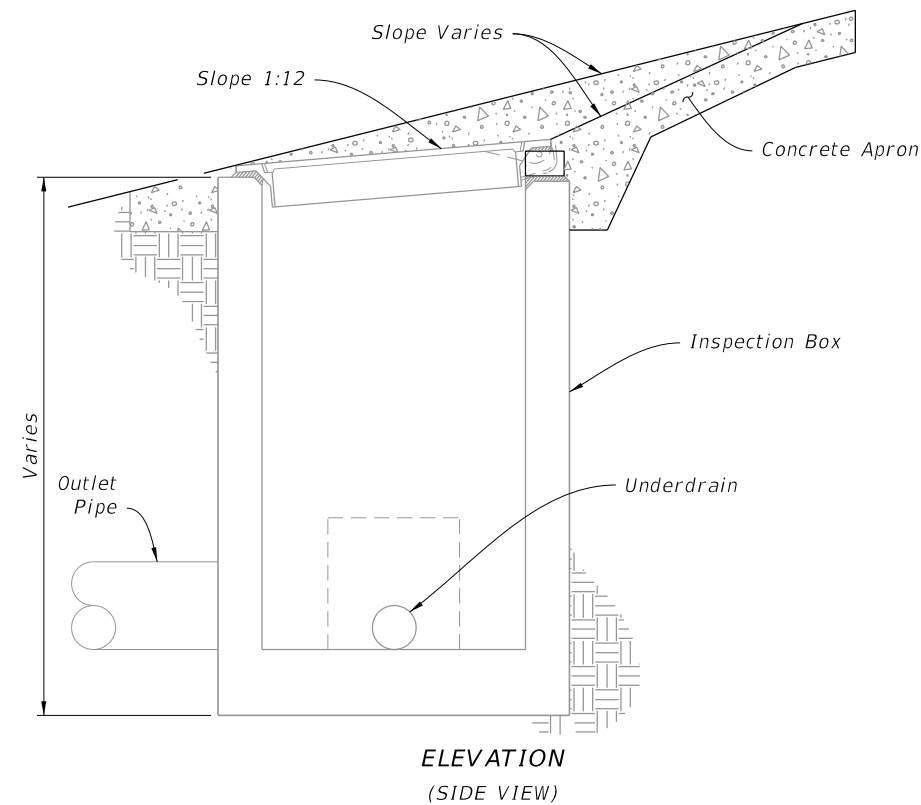
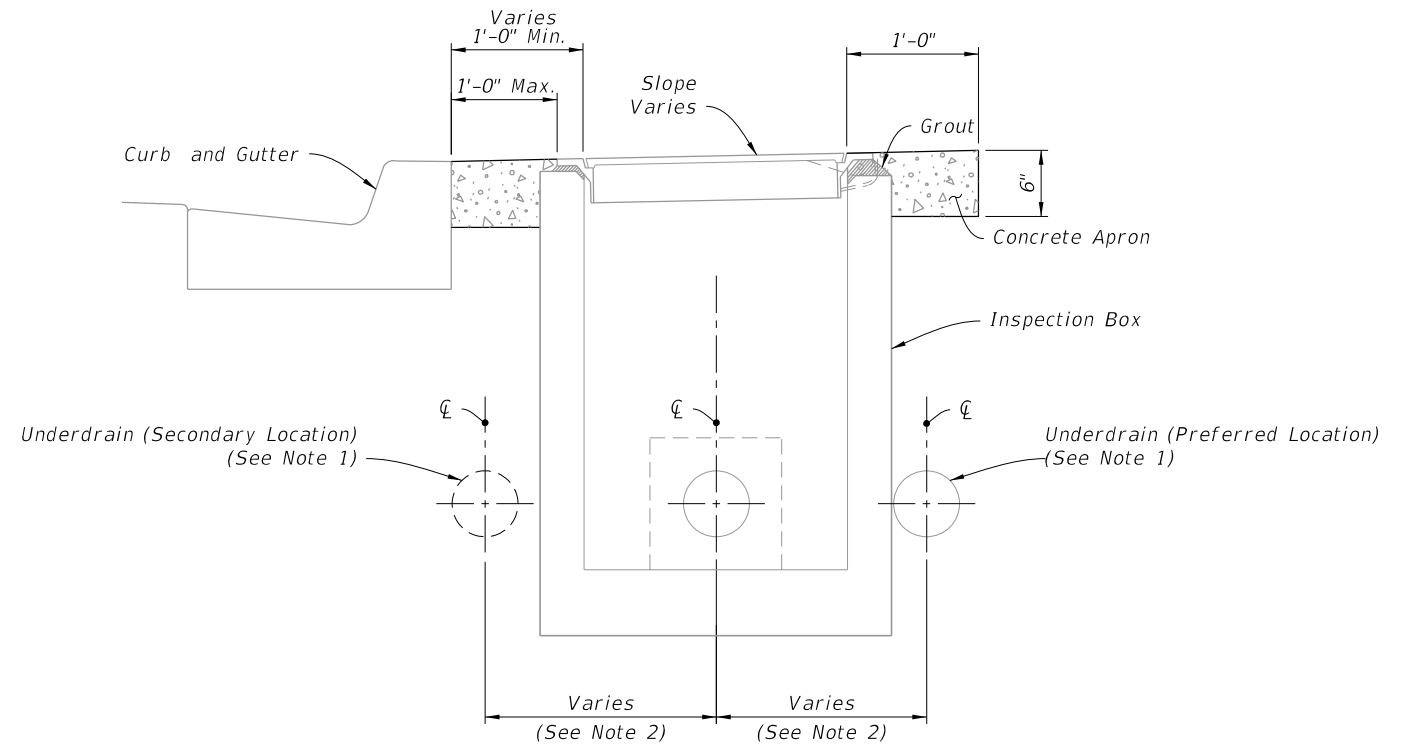
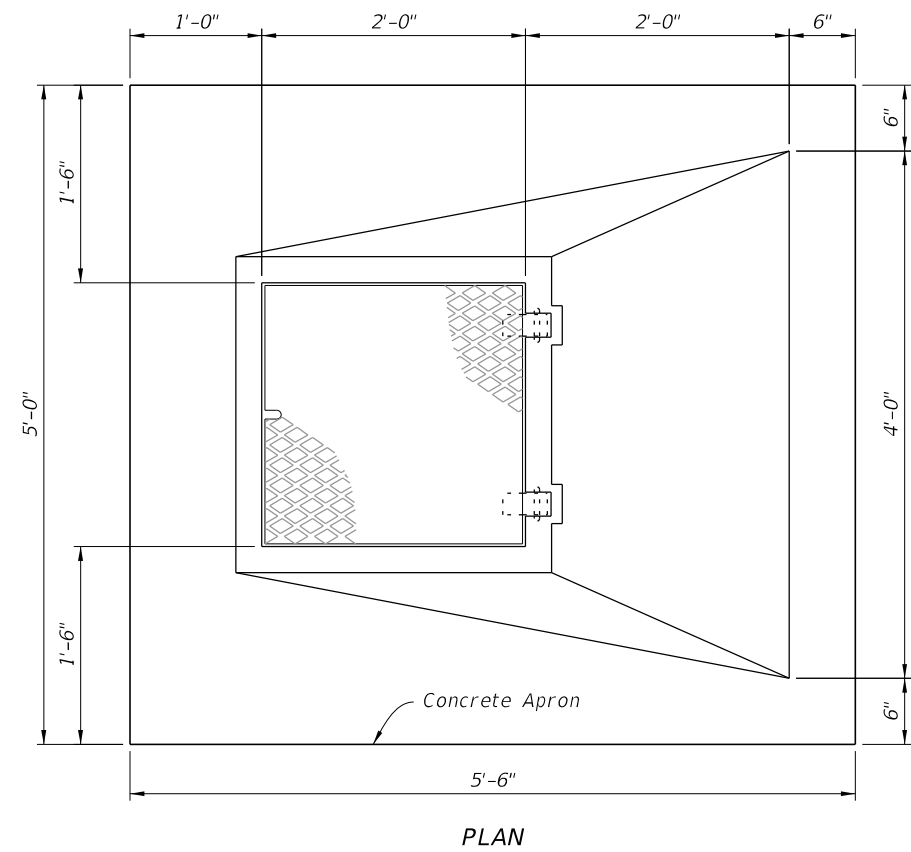
1. Cast or field cut 2 ~ 4" wide slots for hinges. Grout around hinge covers.
2. One or more sides may have an opening, see Plans for required openings. Grout around opening to seal between underdrain pipe and inspection box.

INSPECTION BOX DETAILS

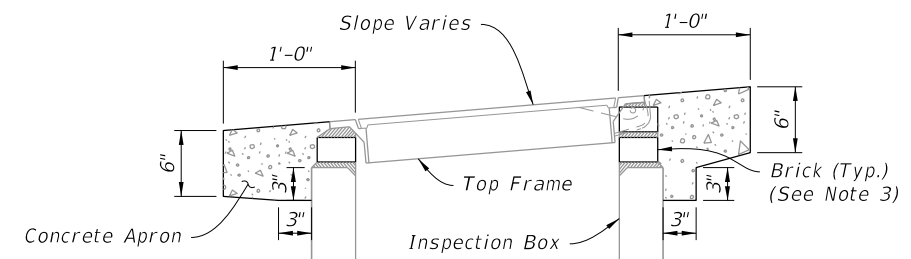
**TYPICAL INSPECTION BOX INSTALLATION**

9/10/2024 1:04:05 PM

|                           |          |              |  |                              |                           |                  |                 |
|---------------------------|----------|--------------|--|------------------------------|---------------------------|------------------|-----------------|
| LAST REVISION<br>11/01/19 | REVISION | DESCRIPTION: |  | FY 2025-26<br>STANDARD PLANS | UNDERDRAIN INSPECTION BOX | INDEX<br>440-002 | SHEET<br>2 of 3 |
|---------------------------|----------|--------------|--|------------------------------|---------------------------|------------------|-----------------|



=====**TYPICAL URBAN INSTALLATION**=====



=====**TOP ADJUSTMENT**=====

**NOTES:**


1. See Index 120-002 for Underdrain placement.
2. Curve the Underdrain to connect to the Inspection Box.
3. A maximum of 2 adjustment courses of brick is permitted.

=====**INSTALLATION ON SLOPE**=====

**TYPICAL URBAN, SLOPE, AND TOP ADJUSTMENT INSTALLATIONS**

**UNDERDRAIN INSPECTION BOX**

9/10/2024 1:04:13 PM

|                           |          |              |   |                                     |                         |                        |
|---------------------------|----------|--------------|---|-------------------------------------|-------------------------|------------------------|
| LAST REVISION<br>11/01/19 | REVISION | DESCRIPTION: |  | FY 2025-26<br><b>STANDARD PLANS</b> | INDEX<br><b>440-002</b> | SHEET<br><b>3 of 3</b> |
|---------------------------|----------|--------------|---|-------------------------------------|-------------------------|------------------------|