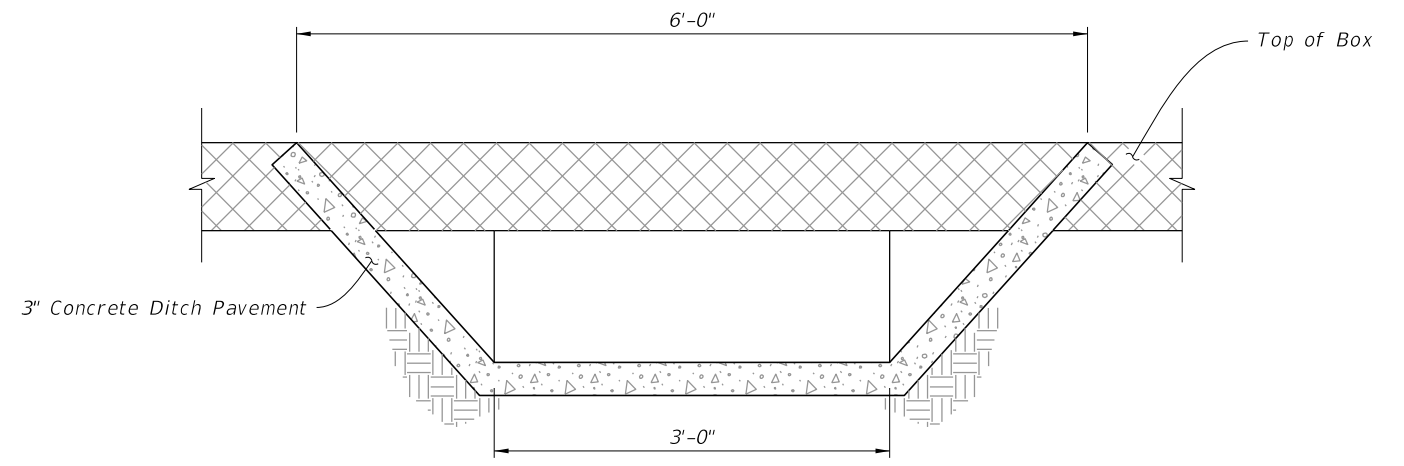
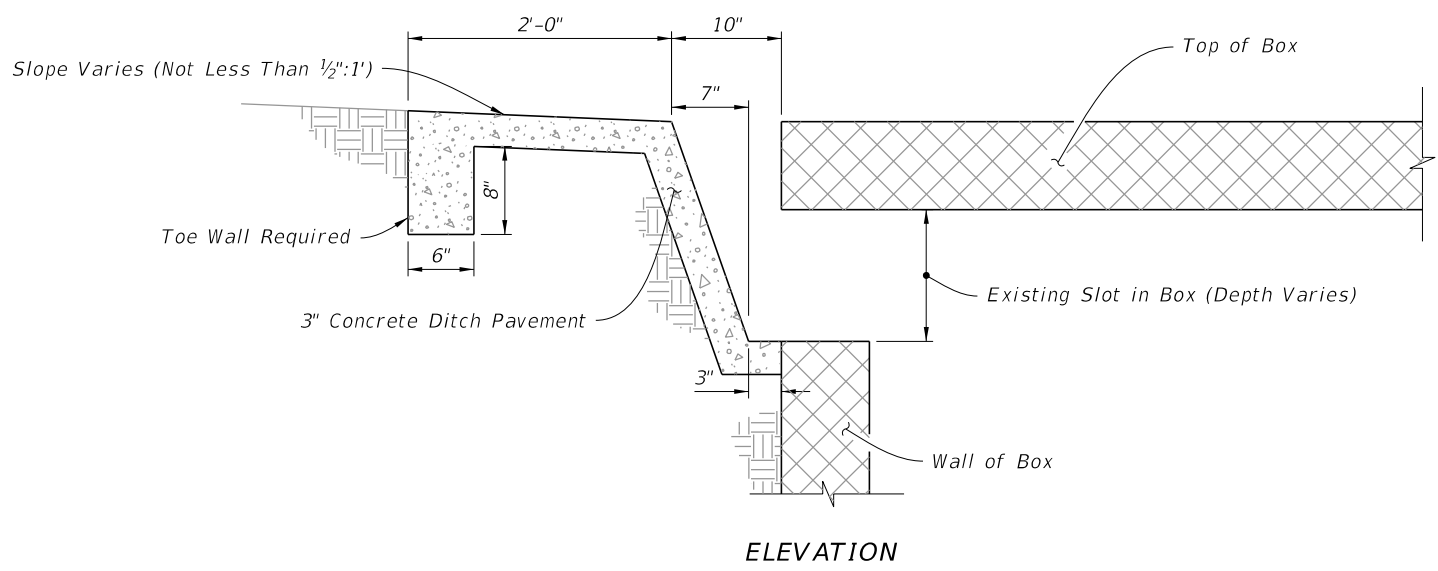



SECTION AA



SECTION BB

INLET IN BOX CULVERT

9/10/2024 11:52:36 AM

LAST REVISION 11/01/20	REVISION	DESCRIPTION:		FY 2025-26 STANDARD PLANS	SAFETY MODIFICATION FOR INLETS IN BOX CULVERTS	INDEX 425-090	SHEET 1 of 1
---------------------------	----------	--------------	--	------------------------------	---	------------------	-----------------