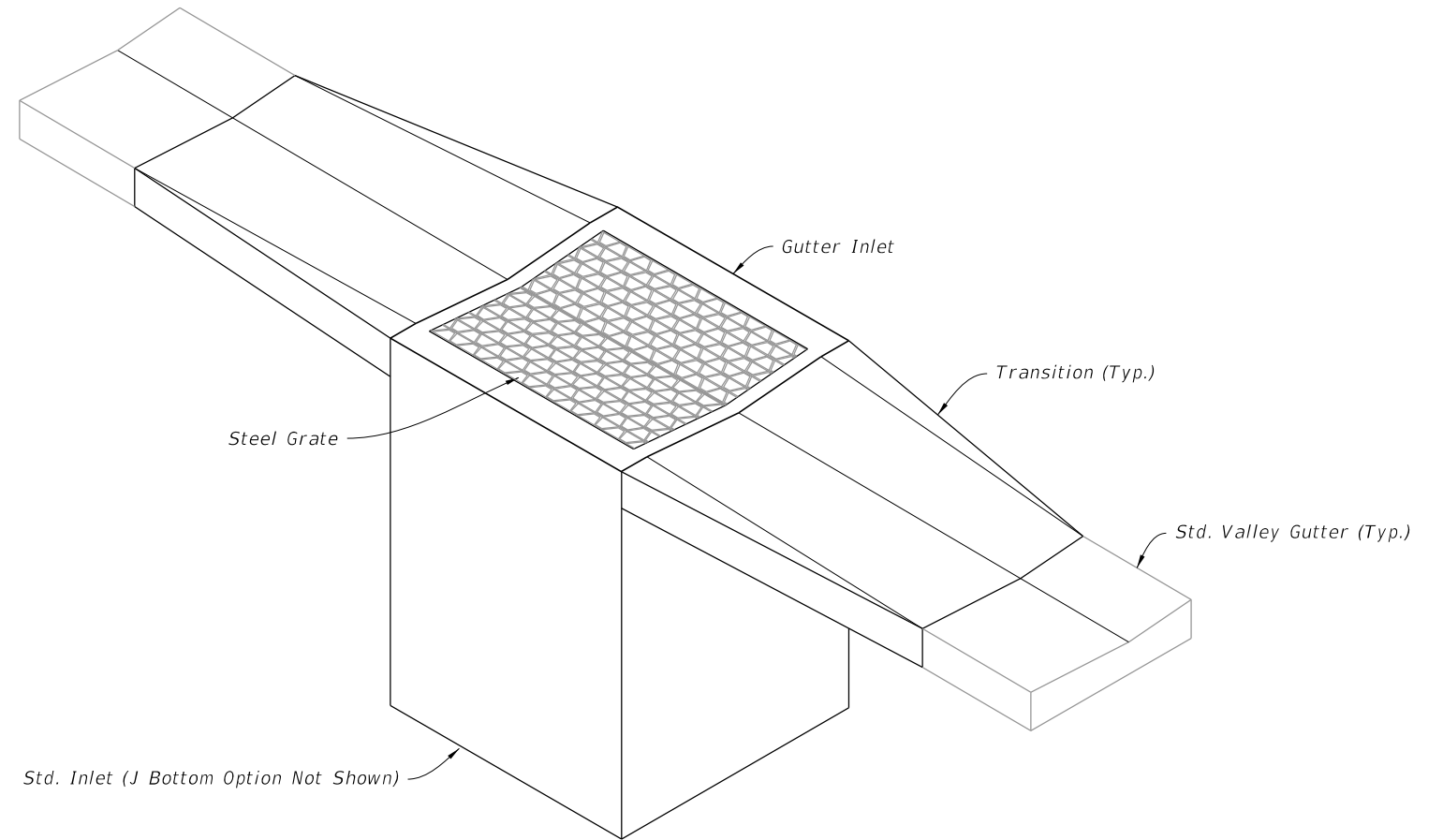


**GENERAL NOTES:**

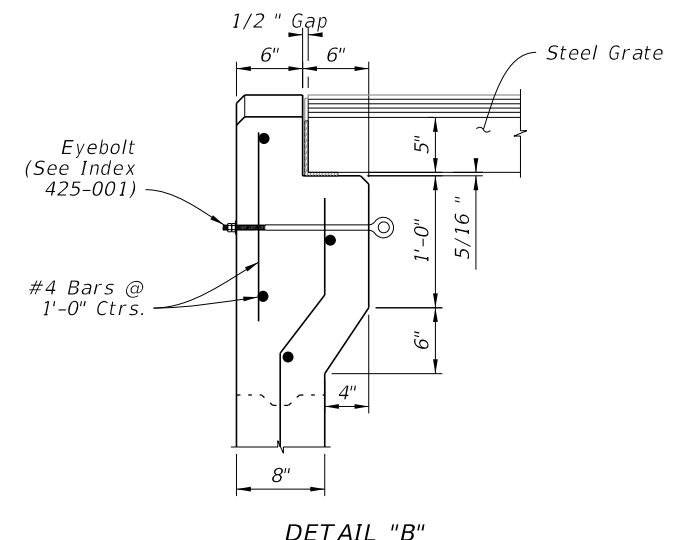
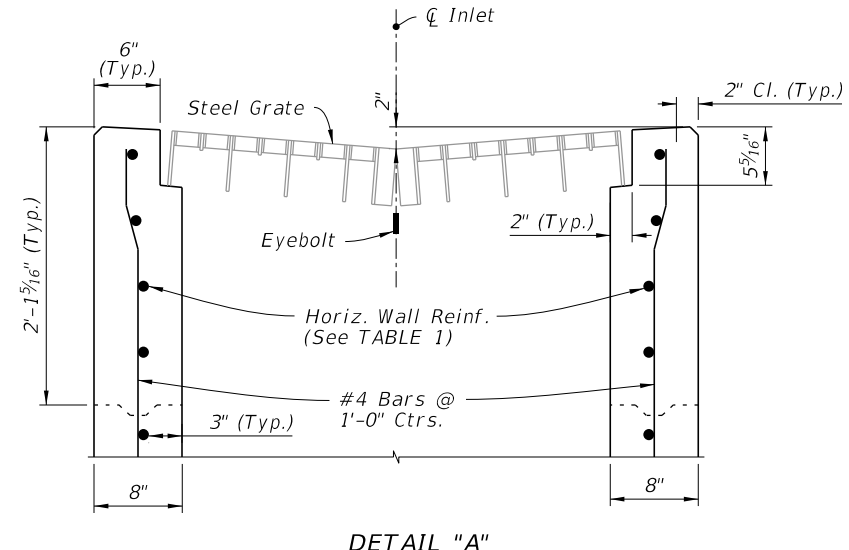
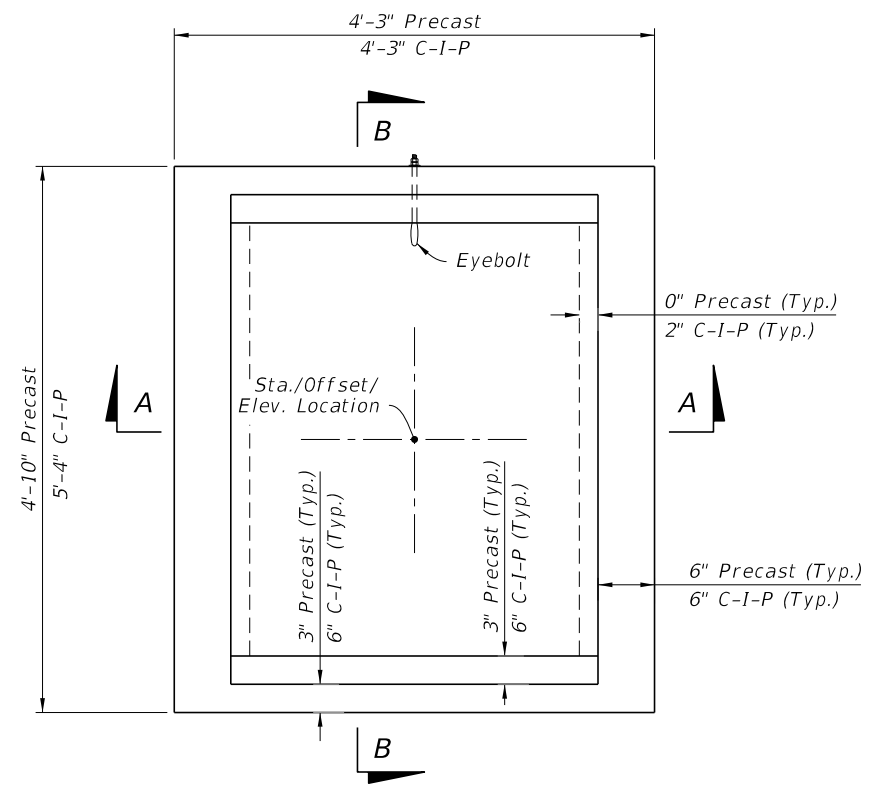
1. Work this Index with Index 425-001 and Index 425-010.
2. All reinforcing is Grade 60 bars with 2" min. cover unless otherwise noted.  
See Index 425-001 for equivalent area of welded wire fabric. Cut or bend bars out of way of pipe to clear pipe 1½".
3. Chamfer all exposed edges and corners ¾" or tool to ¼" radius.
4. Dimensions are for both precast and cast-in-place inlets unless otherwise noted.

TABLE OF CONTENTS:	
Sheet	Description
1	General Notes and Contents
2	Dimensional and Reinforcing Details
3	Steel Grate Details
4	Alternate A Structure Bottom - Top Slab Details



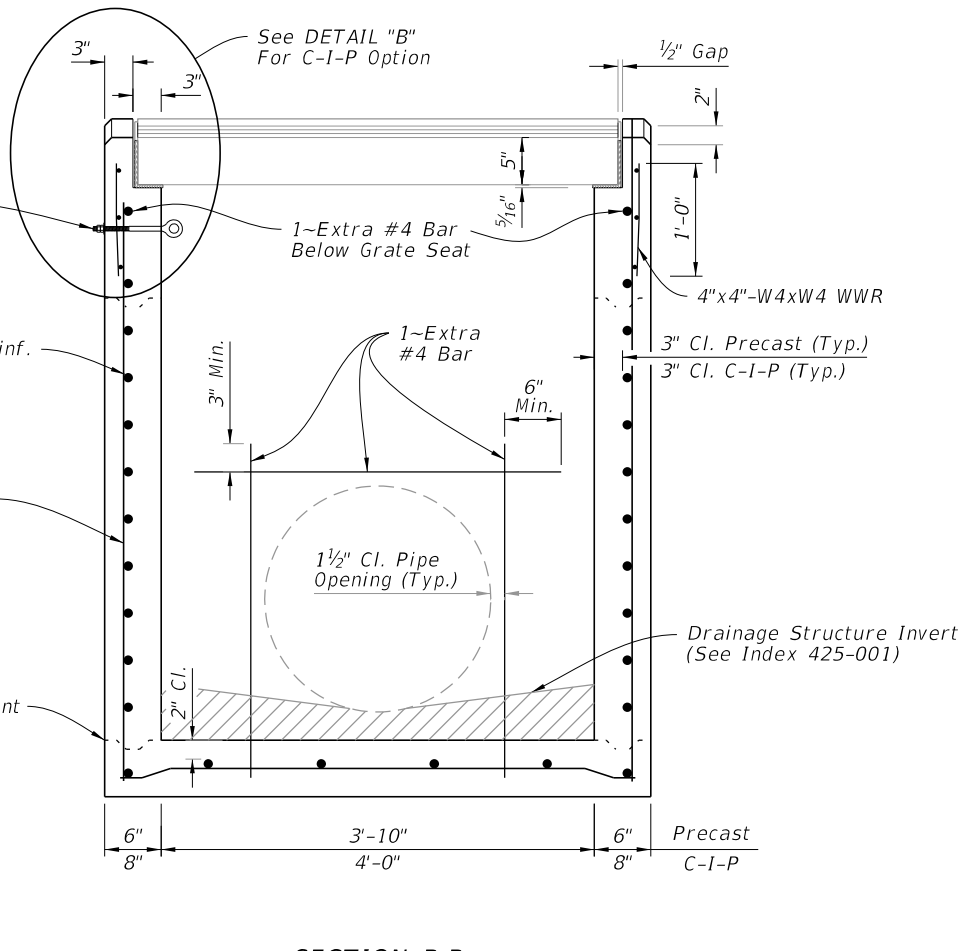
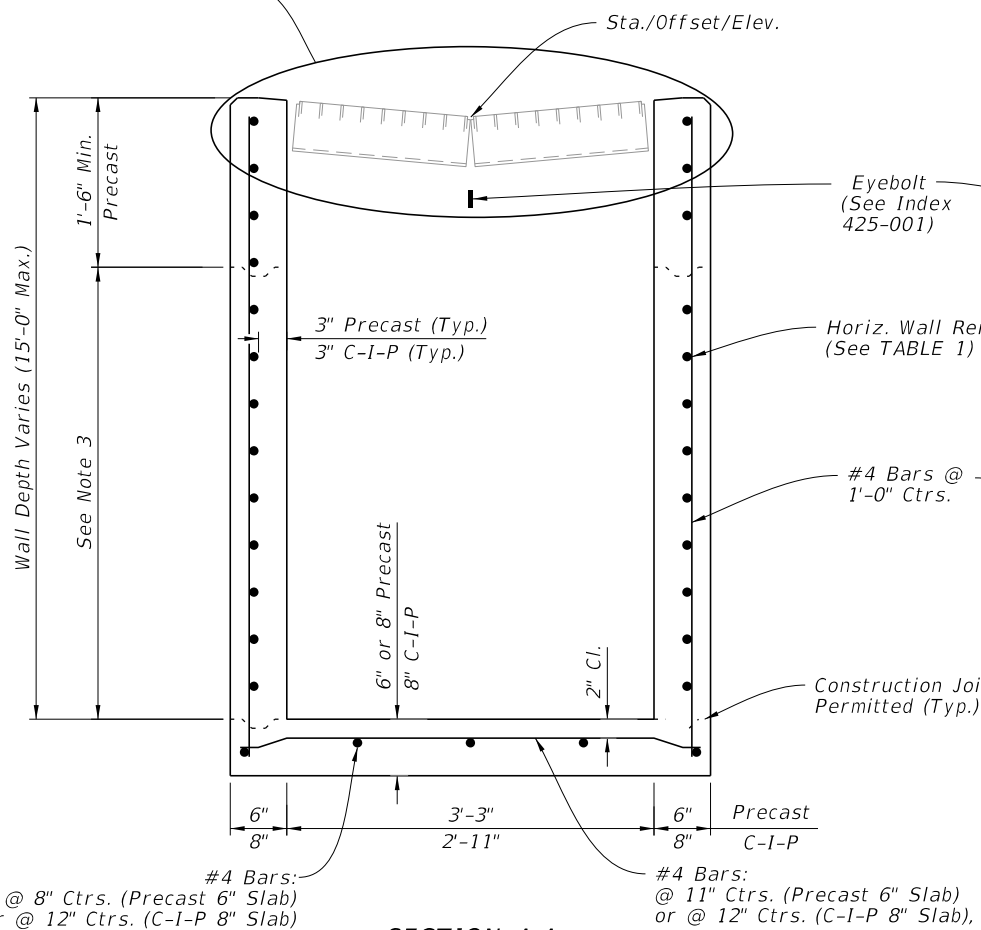
===== GUTTER INLET TYPE V =====  
(Pipe Opening Not Shown)

9/10/2024 11:40:11 AM



CAST-IN-PLACE OPTION

See DETAIL "A" For C-I-P Option



**TABLE 1**  
**HORIZONTAL WALL REINFORCING SCHEDULE**

WALL DEPTH	SCHEDULE	AREA (in. <sup>2</sup> /ft.)	MAX. SPACING	
			BARS	WWR
0' - 5'	A12	0.20	12"	8"
5' - 9'	A6	0.20	6"	5"
9' - 12'	A4	0.20	4"	3"
9' - 15'	B5.5	0.24	5 1/2"	5"

- NOTES:**
1. Plan View: Grate, Concrete Ditch Pavement, and Sod not shown on structure detail.
  2. Precast Shown, Cast-In-Place (C-I-P) similar.
  3. Construction joints permitted between these limits. See Index 425-001 for minimum dimensions.

**SECTION A-A**  
(Pipe Opening Not Shown)

**SECTION B-B**  
(Pipe Opening Shown)

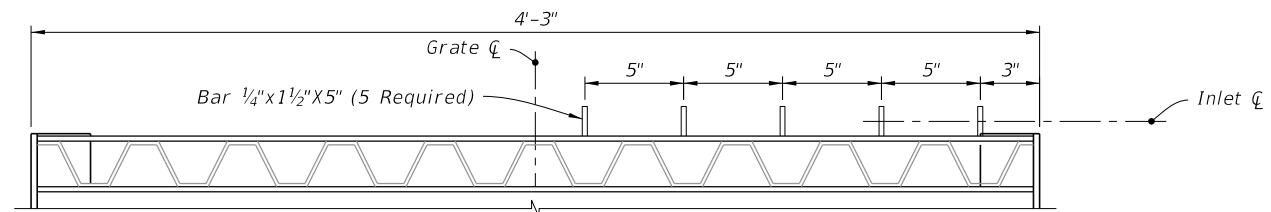
**DIMENSIONAL AND REINFORCING DETAILS**

**DIMENSIONAL AND REINFORCING DETAILS**

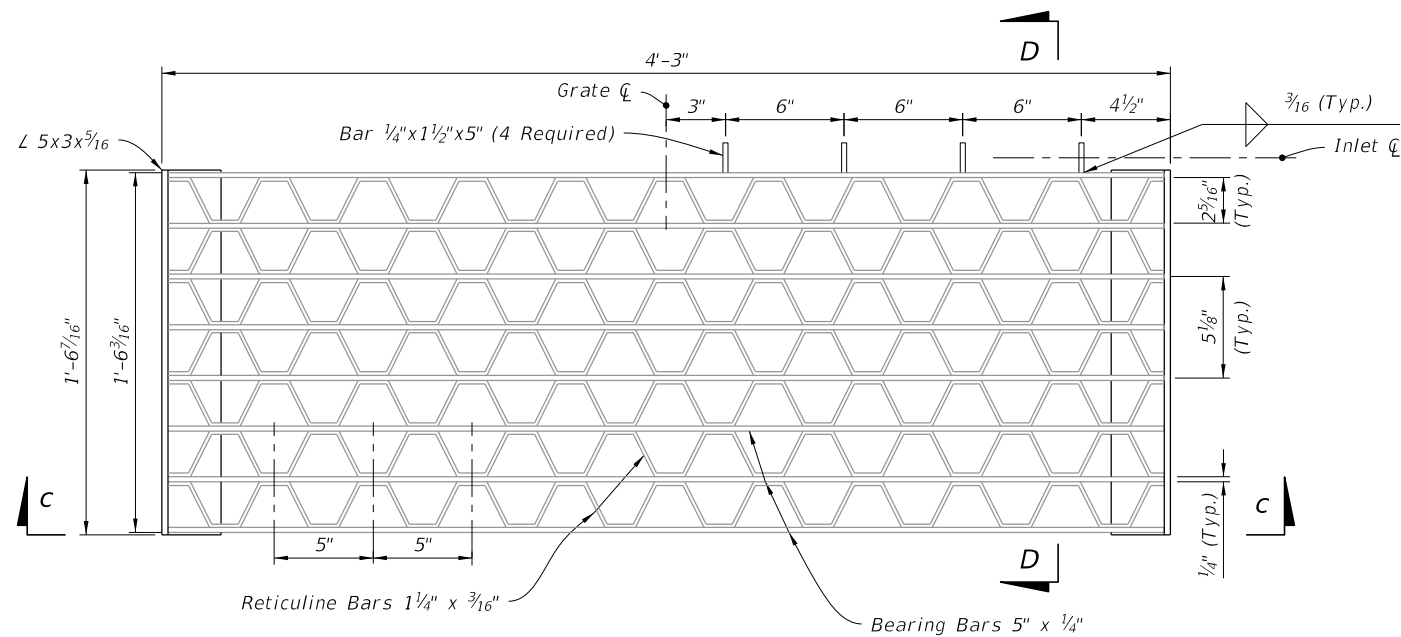
9/10/2024 11:40:19 AM

LAST REVISION 11/01/20	REVISION	DESCRIPTION:		FY 2025-26 STANDARD PLANS	GUTTER INLET TYPE V	INDEX 425-041	SHEET 2 of 4
---------------------------	----------	--------------	--	------------------------------	---------------------	------------------	-----------------

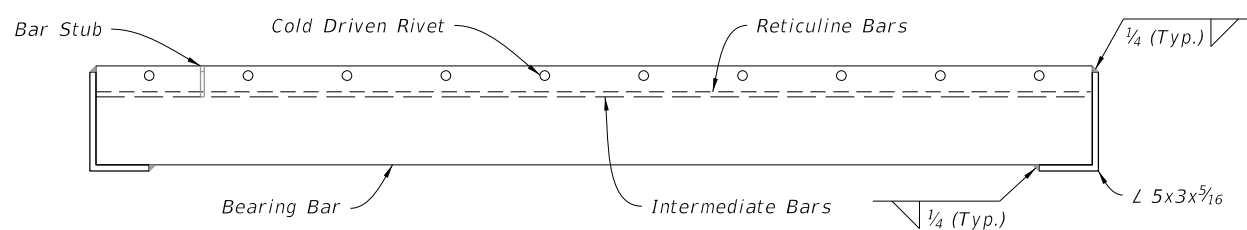
9/10/2024 11:40:27 AM



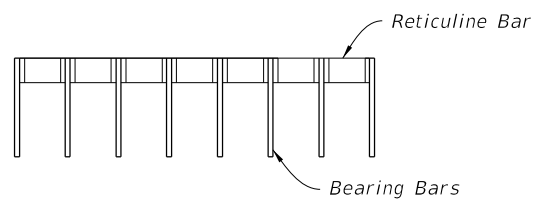
OPTIONAL BAR SPACING



PLAN



SECTION C-C



SECTION D-D

RETICULINE GRATE DETAIL

(Two Grates Required per Inlet)

STEEL GRATE DETAILS

LAST REVISION  
11/01/20

REVISION

DESCRIPTION:



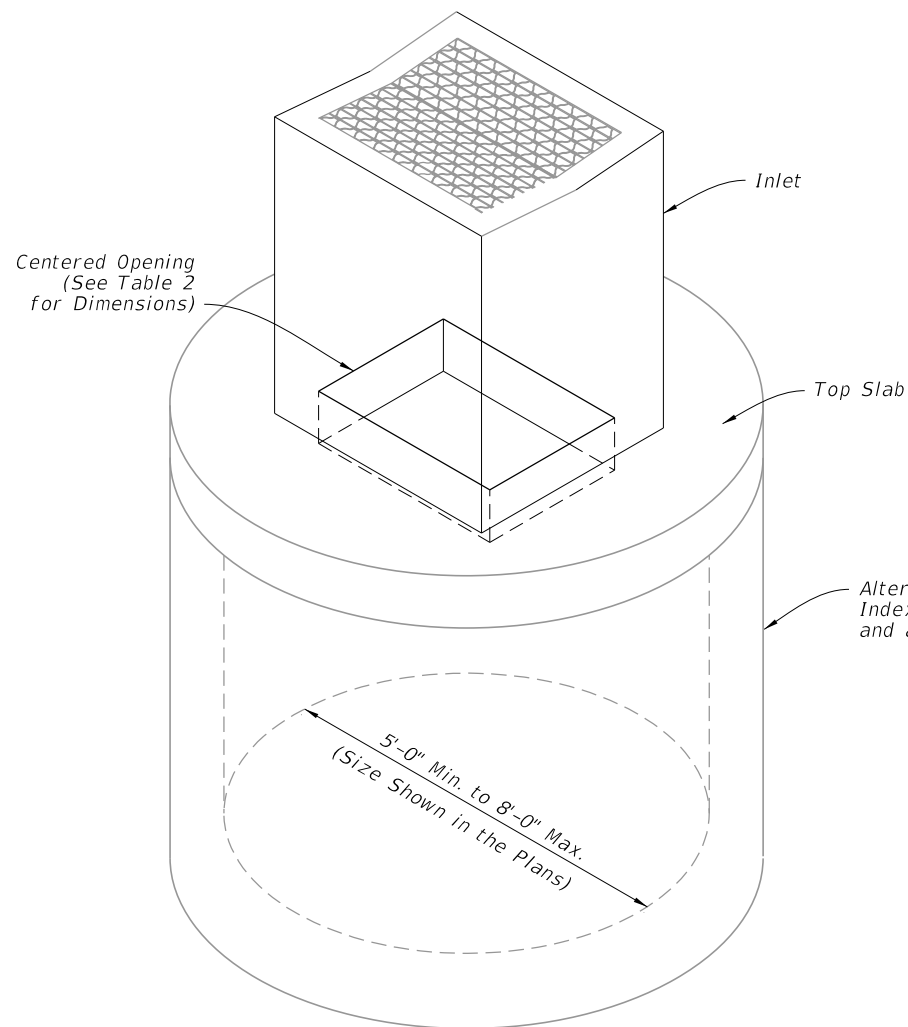
FY 2025-26  
STANDARD PLANS

GUTTER INLET TYPE V

INDEX  
425-041

SHEET  
3 of 4

9/10/2024 11:40:34 AM



Centered Opening  
(See Table 2  
for Dimensions)

Inlet

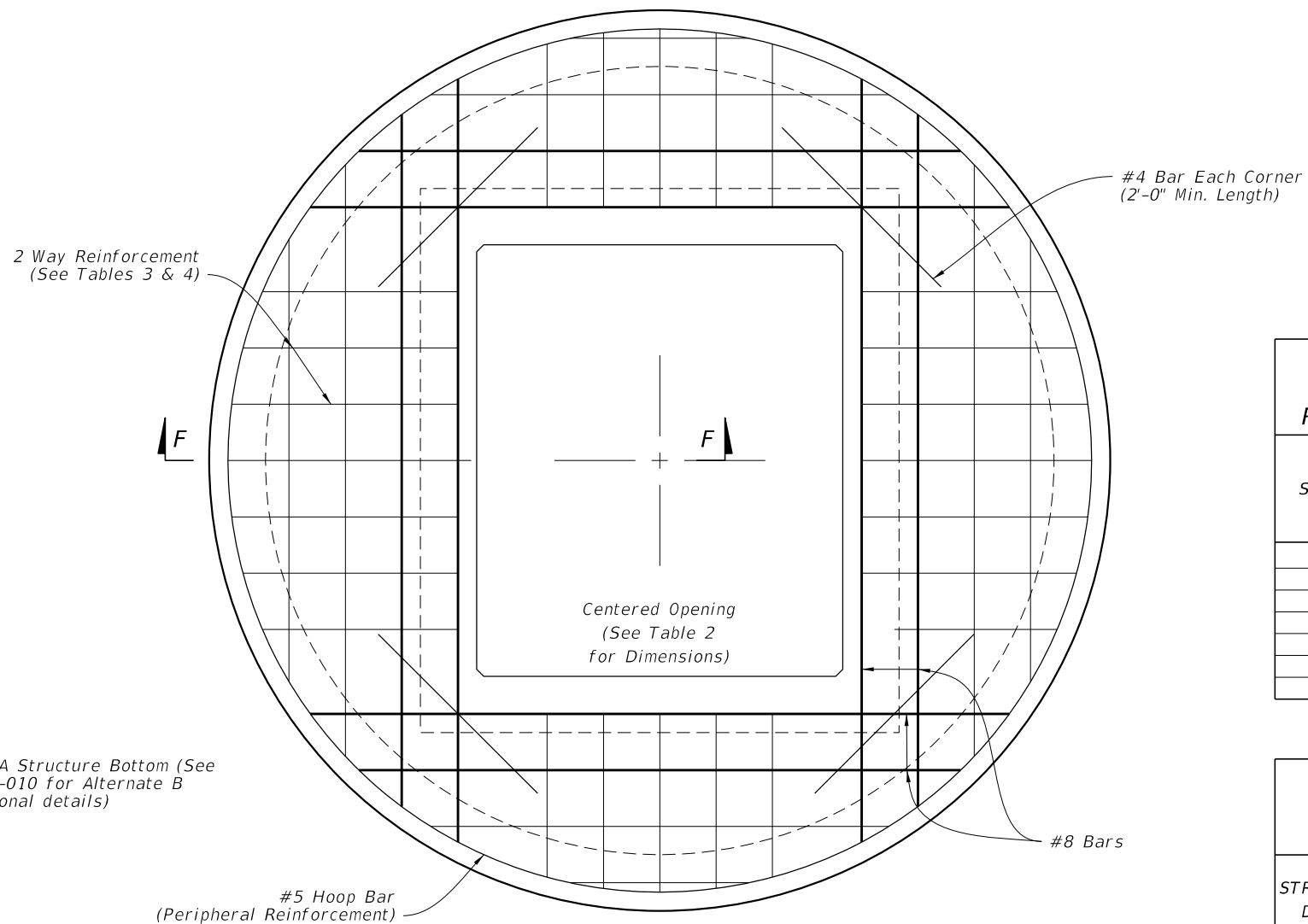
Top Slab

Alternate A Structure Bottom (See  
Index 425-010 for Alternate B  
and additional details)

5'-0" Min. to 8'-0" Max.  
(Size Shown in the Plans)

DIAMETER	OPENING SIZE	
	Min.	Max.
5'-0" to 8'-0"	2'-11" x 4'-0"	3'-3" x 3'-10"

ISOMETRIC VIEW



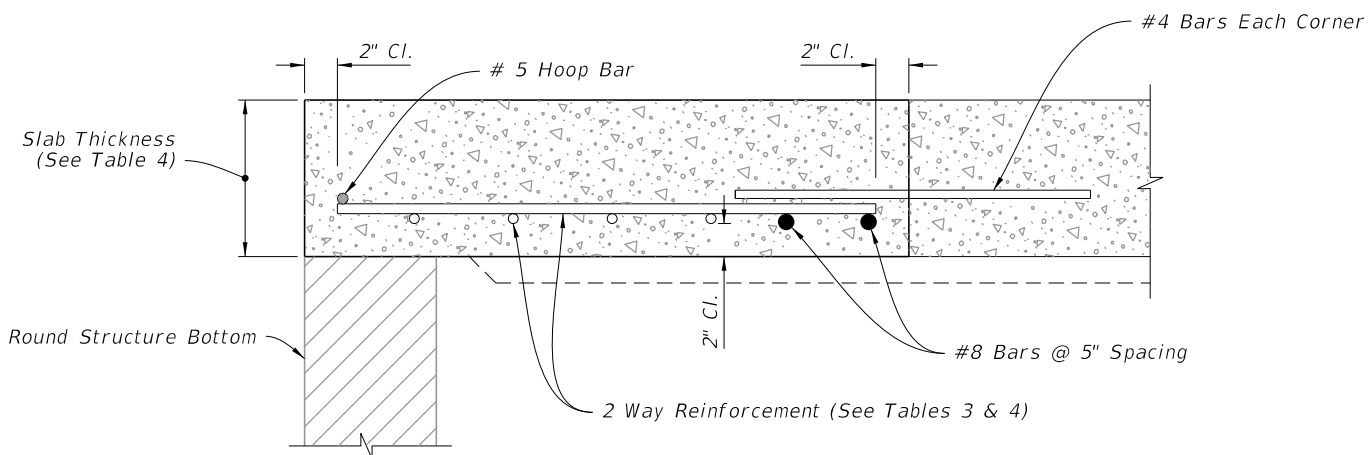
2 Way Reinforcement  
(See Tables 3 & 4)

#4 Bar Each Corner  
(2'-0" Min. Length)

Centered Opening  
(See Table 2  
for Dimensions)

#8 Bars

#5 Hoop Bar  
(Peripheral Reinforcement)



Slab Thickness  
(See Table 4)

#4 Bars Each Corner

Round Structure Bottom

2 Way Reinforcement (See Tables 3 & 4)

#8 Bars @ 5" Spacing

SECTION F-F

TOP SLAB REINFORCEMENT DETAILS

SCHEDULE	GRADE 60 (BAR) OR 65 KSI & 70 KSI (WIRE FABRIC) In. <sup>2</sup> /ft.
A	0.20
B	0.24
C	0.37
D	0.53
E	0.73
F	1.06
G	1.45

STRUCTURE DEPTH	SLAB THICKNESS	REINFORCING (2 WAY) SCHEDULE
SIZE: 5'-0"		
≥0.5' < 30'	9 1/2"	C
30' < 40'	9 1/2"	D
SIZE: 6'-0"		
0.5' < 8'	9 1/2"	B
8' < 18'	9 1/2"	C
18' < 30'	9 1/2"	D
30' < 37'	9 1/2"	E
37' < 40'	9 1/2"	G
SIZE: 8'-0"		
≥0.5' < 9'	11 1/2"	C
9' < 15'	11 1/2"	D
15' < 23'	11 1/2"	E
23' < 33'	11 1/2"	E
33' < 40'	11 1/2"	G

ALTERNATE A STRUCTURE BOTTOM - TOP SLAB DETAILS

LAST  
REVISION  
11/01/20

REVISION

DESCRIPTION:



FY 2025-26  
STANDARD PLANS

GUTTER INLET TYPE V

INDEX  
425-041

SHEET  
4 of 4