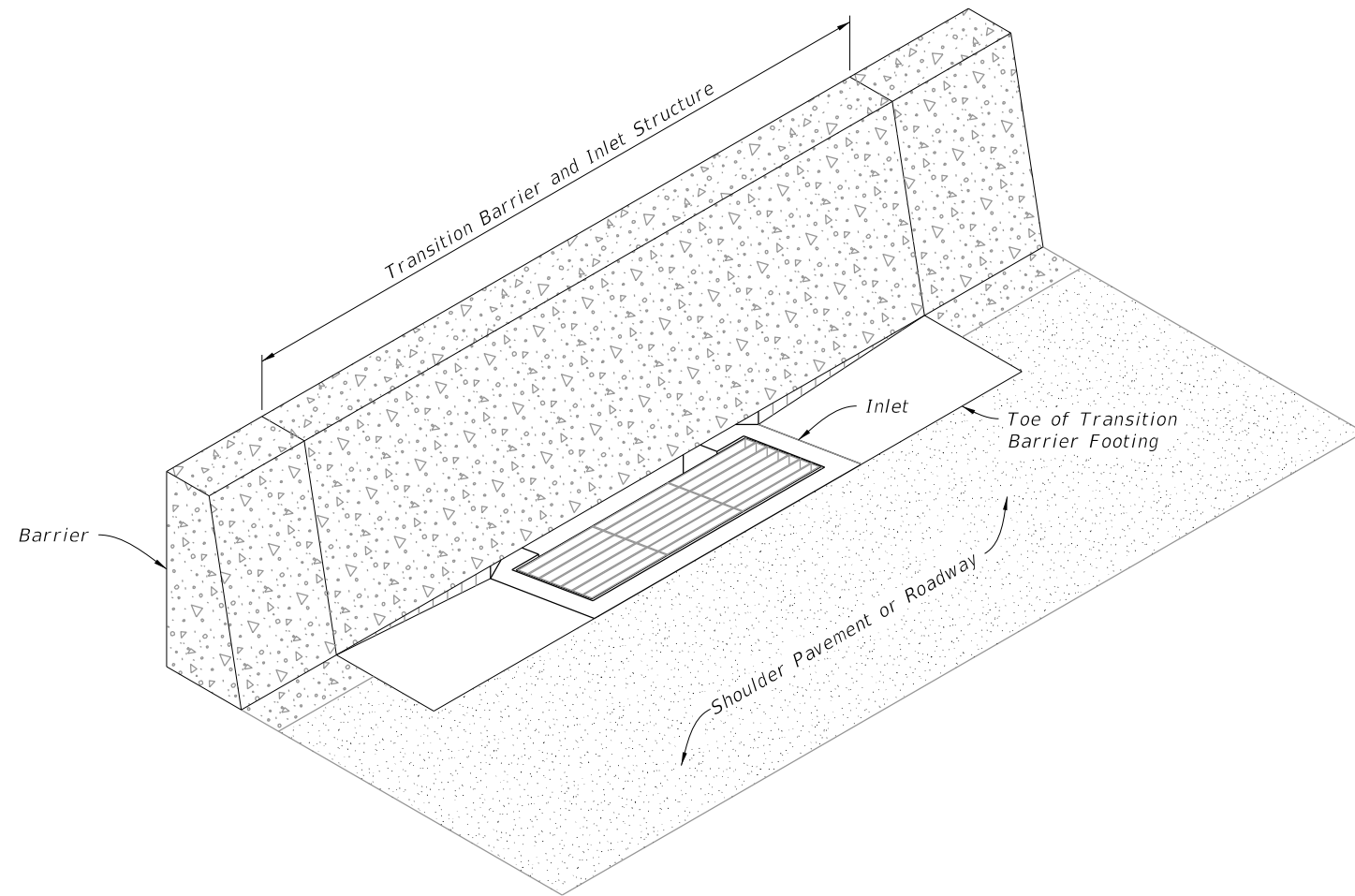


GENERAL NOTES:

1. Work this Index with Index 425-001 and Index 425-010.
 2. Where called for in the Plans, use this inlet in conjunction with Curb and Gutter Barrier per Index 521-001. Construct Barrier segments shown herein in accordance with requirements of Index 521-001, including connections to adjacent barrier segments using the Doweled Joint.
 3. Reinforcing shown is grade 60 steel bars. For the equivalent area of welded wire reinforcement for the inlet, see Index 425-001. Reinforcing shall have 2" minimum cover unless otherwise shown. Trim or bend bars to provide 1½" clearance around pipe openings.
- For Bar Bending Details of Bars 5V2 & 5U4, see Index 521-001. For all others, see Sheet 2.
4. Apply a ¾" chamfer or ¼" radius to all exposed concrete edges.
 5. Grates may be fabricated with reticuline bars or with either ½"Ø welded or ¾"Ø electroforged cross bars and bearing bars as detailed on Sheet 3.
 6. All dimensions are for both precast and cast in place (C-I-P) inlets unless otherwise indicated.



=====**CURB AND GUTTER BARRIER INLET**=====

TABLE OF CONTENTS:

Sheet	Description
1	General Notes and Contents
2	Dimensional, Reinforcing, and Bar Bending
3	Transitional Dimensional, Reinforcing, and Grate Details
4	Inlet Top Dimensional and Reinforcing Details

9/10/2024 11:37:48 AM

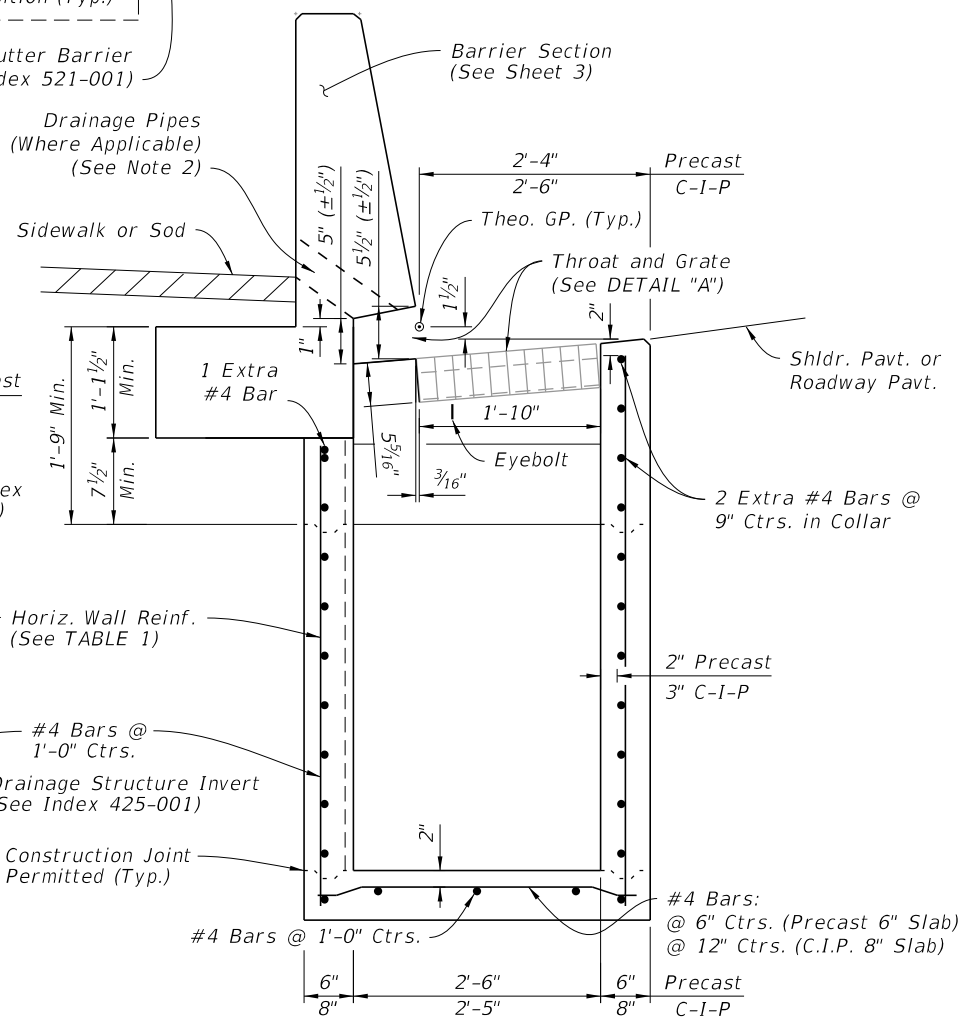
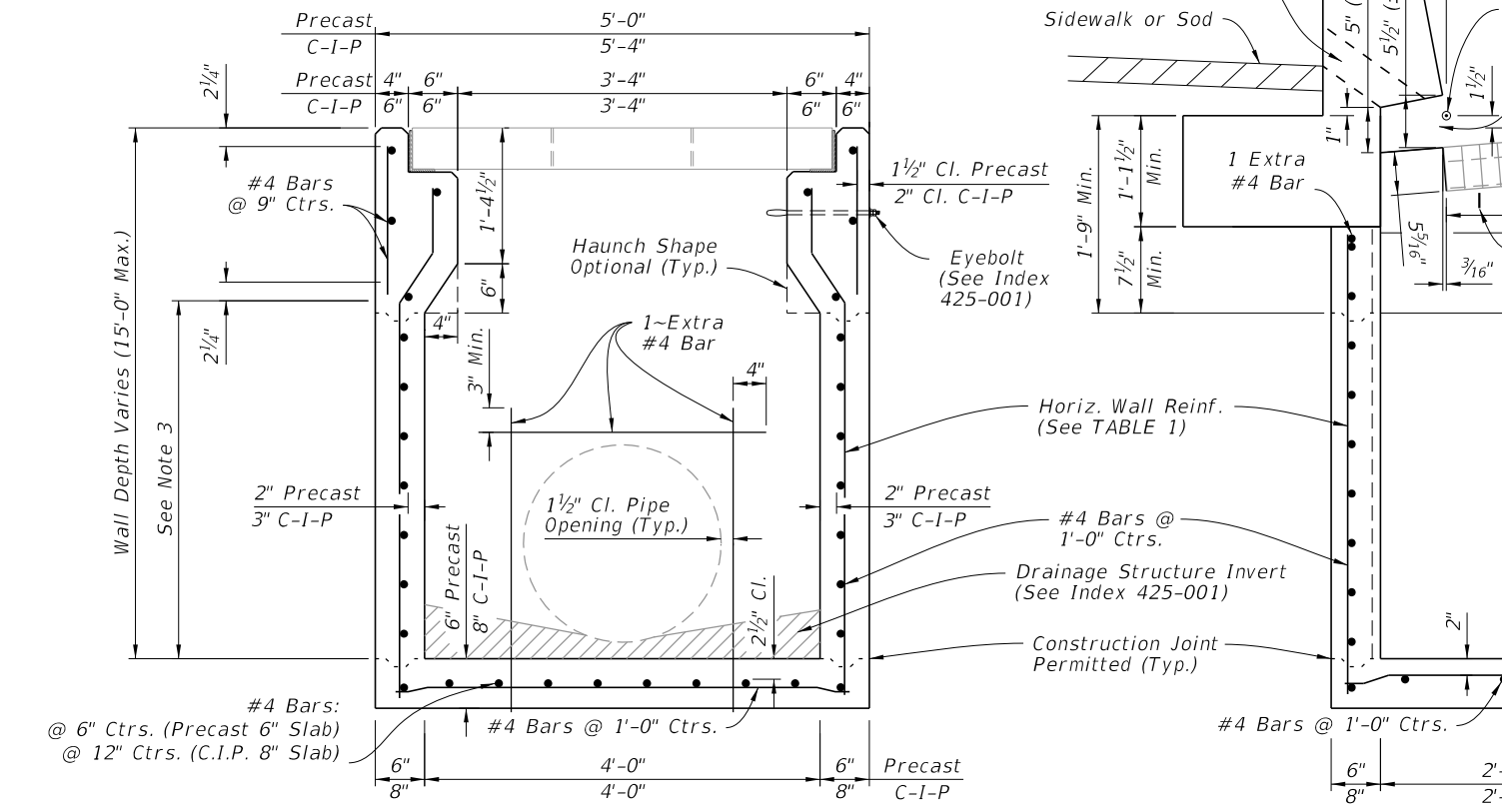
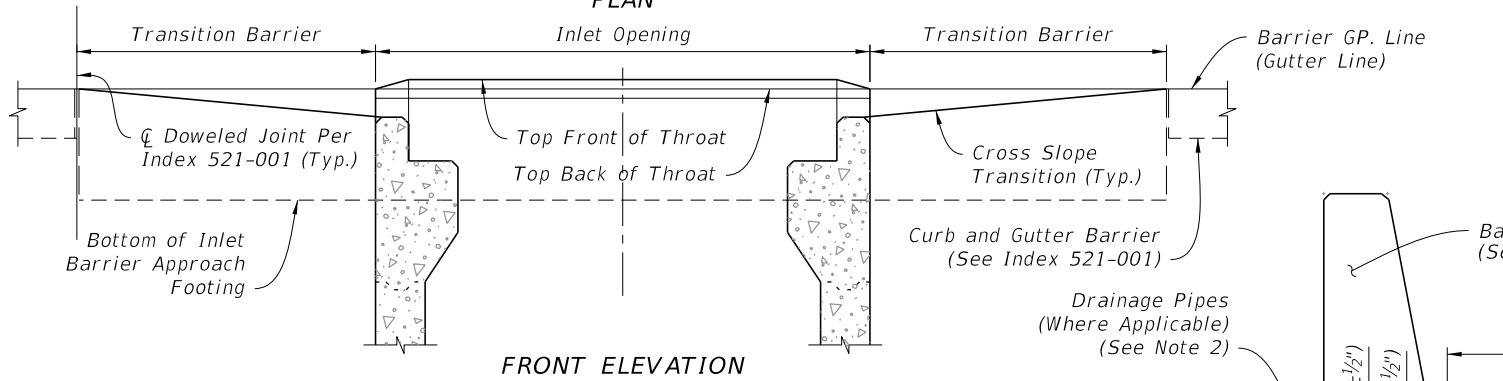
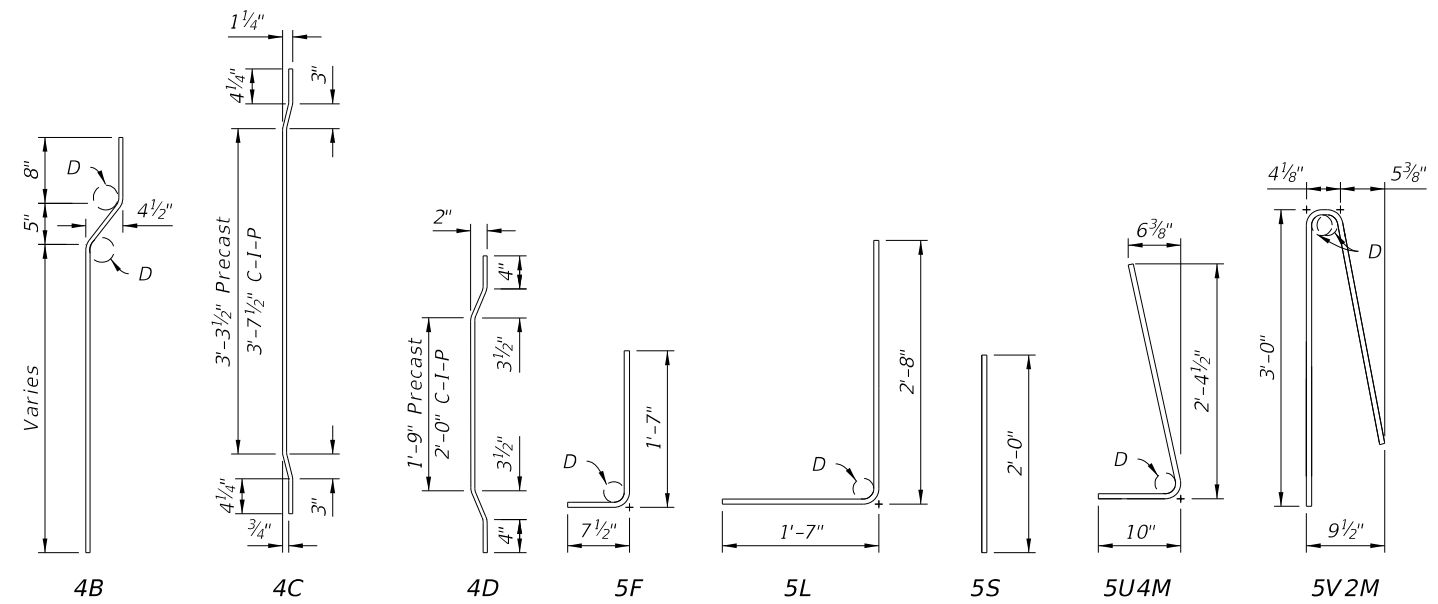
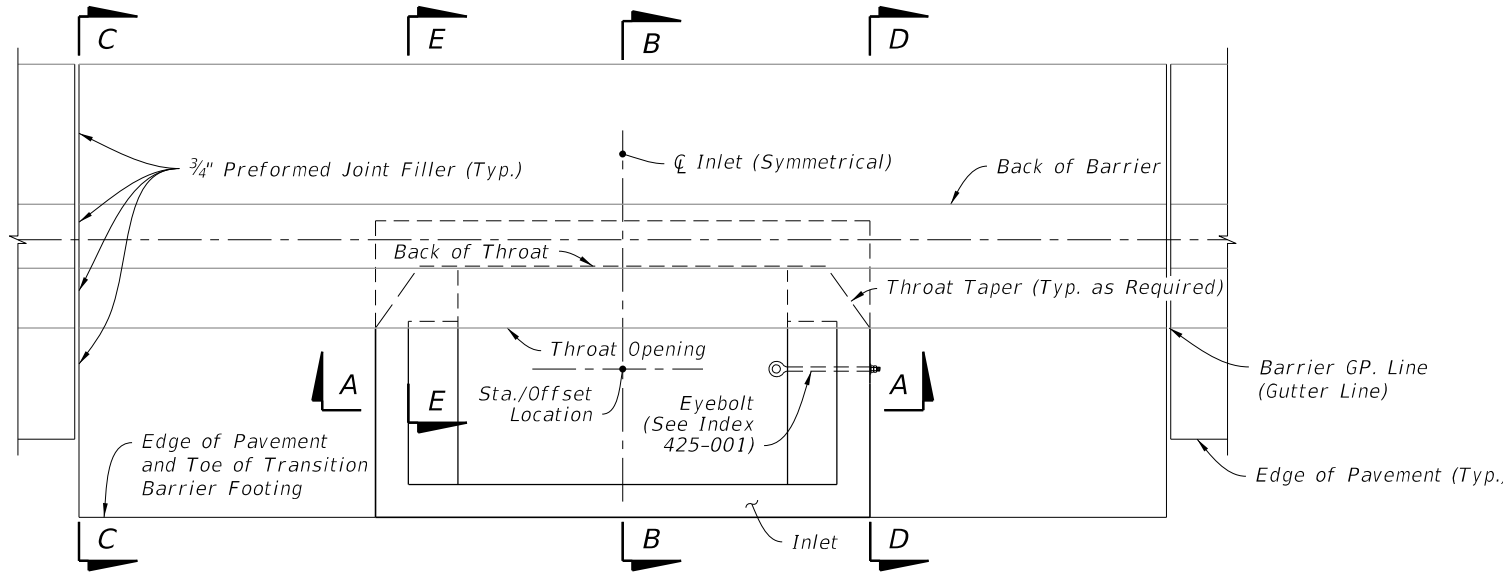


TABLE 1: HORIZONTAL WALL REINFORCING SCHEDULE

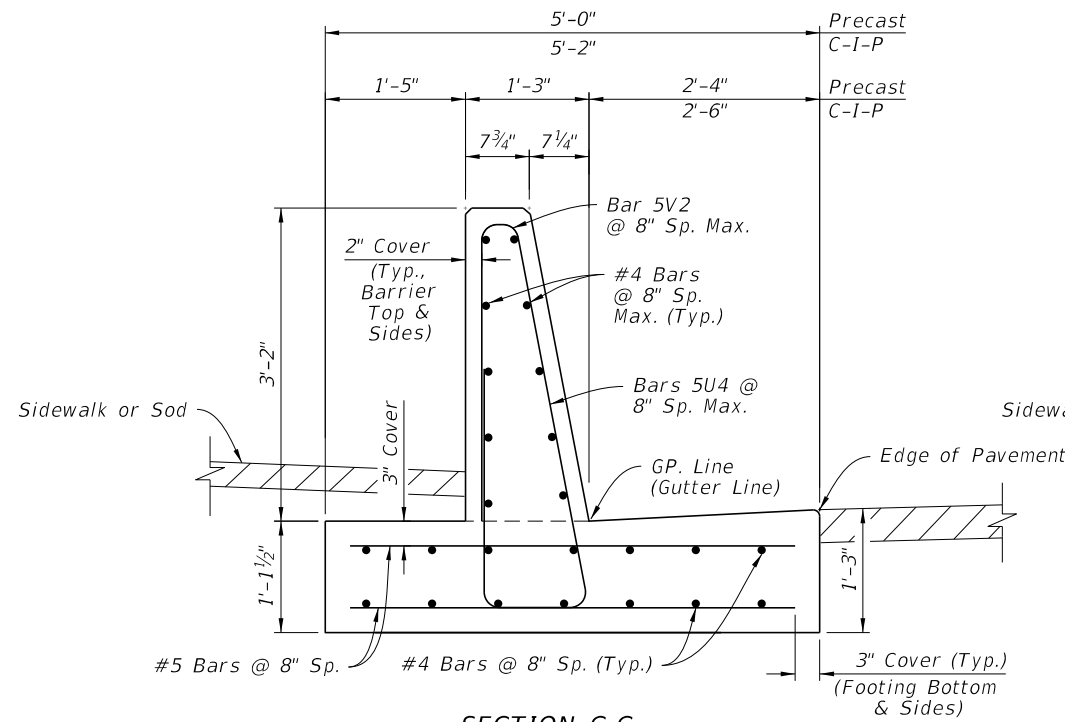
WALL DEPTH	SCHEDULE	AREA (in. ² /ft.)	MAX. SPACING	
			BARS	WWR
Precast	C-I-P			
0'-3"	0'-4"	A12	0.20	12" 8"
3'-6"	4'-9"	A6	0.20	6" 5"
6'-10"	9'-15"	B5.5	0.24	5 1/2" 5"
10'-15"	-	C6.5	0.37	6 1/2" 6"

- NOTES:**
- For Bar Bending Diagrams of Bars 5V2 & 5U4, See Index 521-001. Bars 5V2M, 5U4M, & 5S may be field cut from Bars 5V2 & 5U4.
 - Install PVC Drainage Pipes at the inlet centerline when the inlet is located in a sag curve or when drainage pipes are called for in the plans. Install a quantity of 3 ~ 3 1/2" (I.D.) NPS Schedule 40 Pipes longitudinally spaced at 8", with the center pipe as near to the inlet centerline as practical without conflicting with the steel reinforcing.
 - Construction joints permitted between these limits. See Index 425-001 for minimum dimensions.

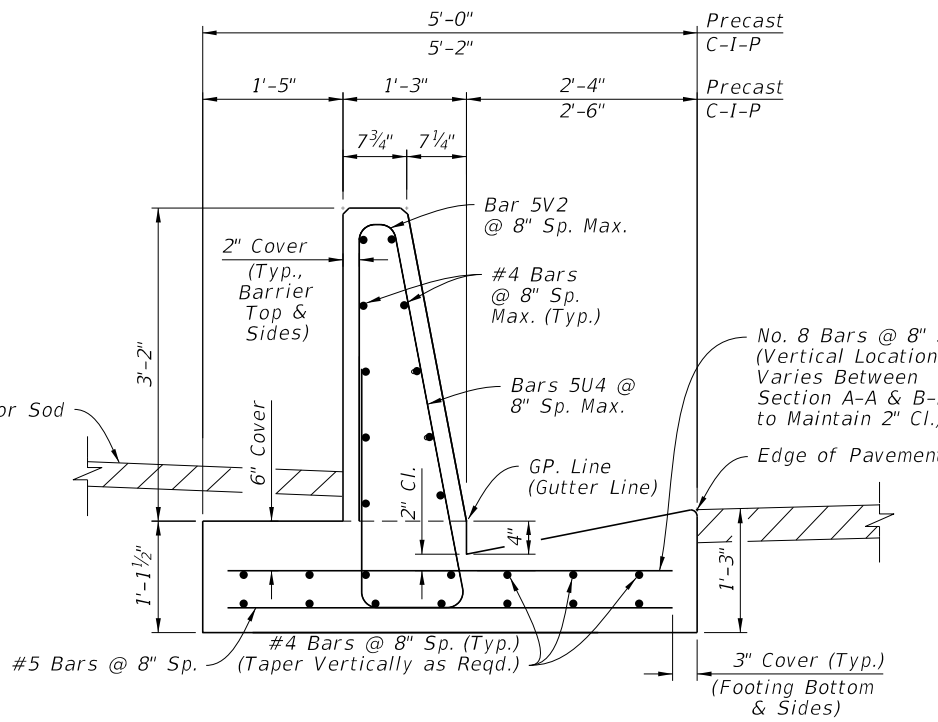
DIMENSIONAL AND REINFORCING

DIMENSIONAL, REINFORCING AND BAR BENDING

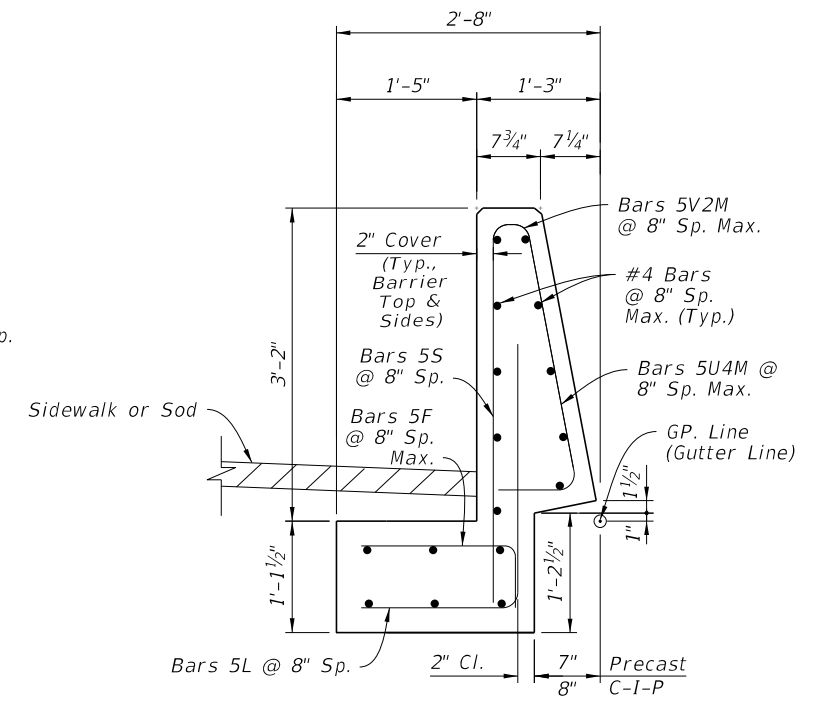
9/10/2024 11:37:57 AM



SECTION C-C
TRANSITION BARRIER BEGIN CROSS-SLOPE TRANSITION
 (Align With Curb And Gutter Barrier, See Index 521-001)

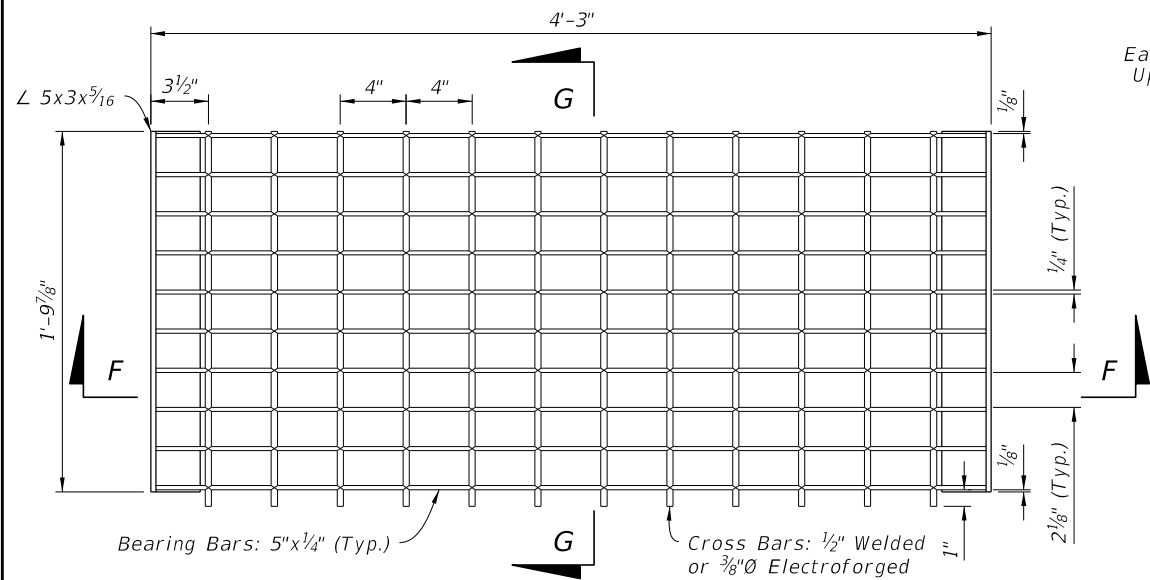


SECTION D-D
TRANSITION BARRIER END CROSS-SLOPE TRANSITION
 (Align With Inlet Structure)

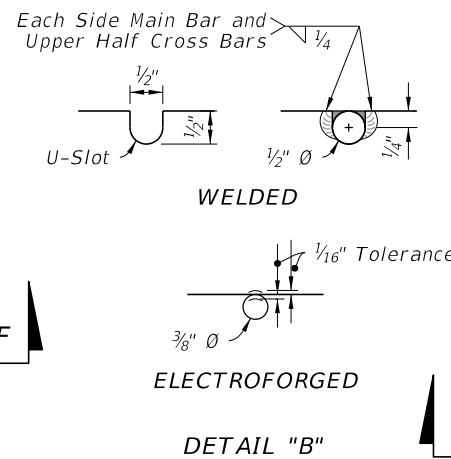


SECTION E-E
BARRIER OVER INLET STRUCTURE
 (Throat Fully Transitioned)

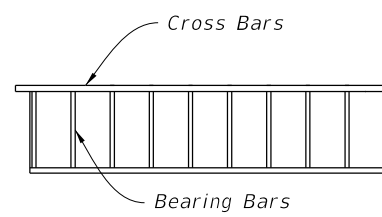
TRANSITIONAL DIMENSIONAL AND REINFORCING



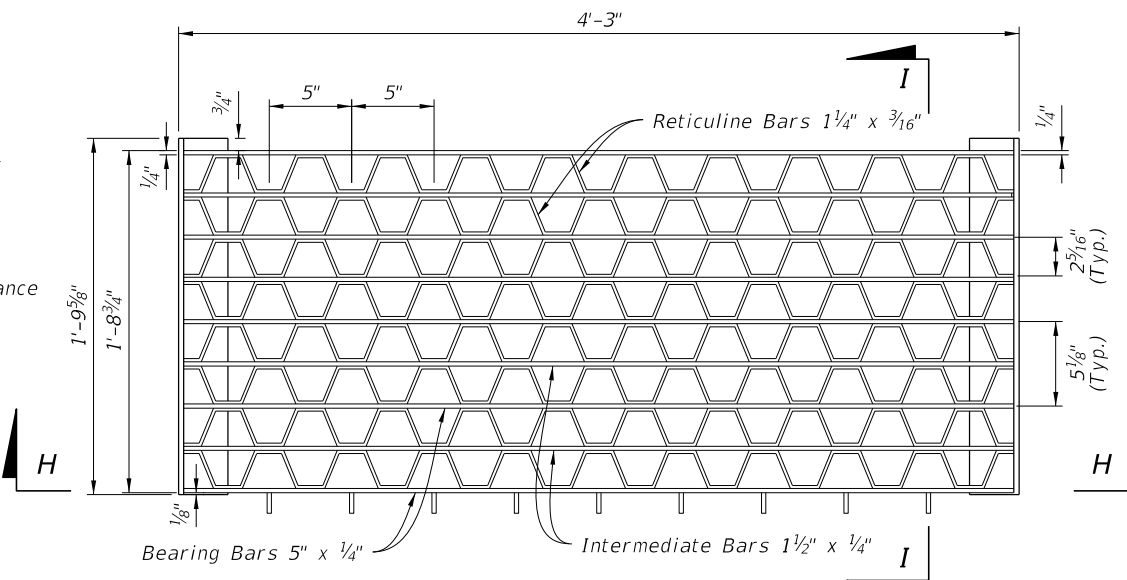
PLAN



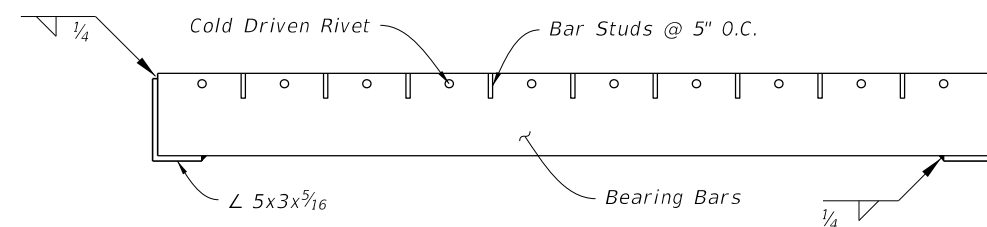
DETAIL "B"



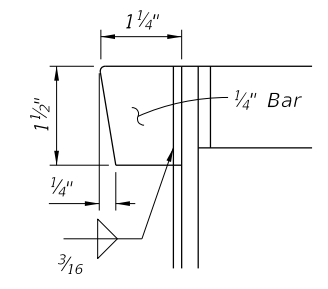
SECTION G-G



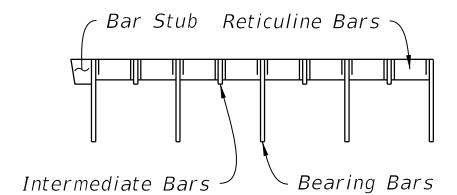
PLAN



SECTION H-H



DETAIL "C"



SECTION I-I

CROSS BAR GRATE

RETICULINE GRATE

TRANSITIONAL DIMENSIONAL, REINFORCING AND GRATE DETAILS

9/10/2024 11:38:05 AM

LAST REVISION 11/01/20	DESCRIPTION:
---------------------------	--------------

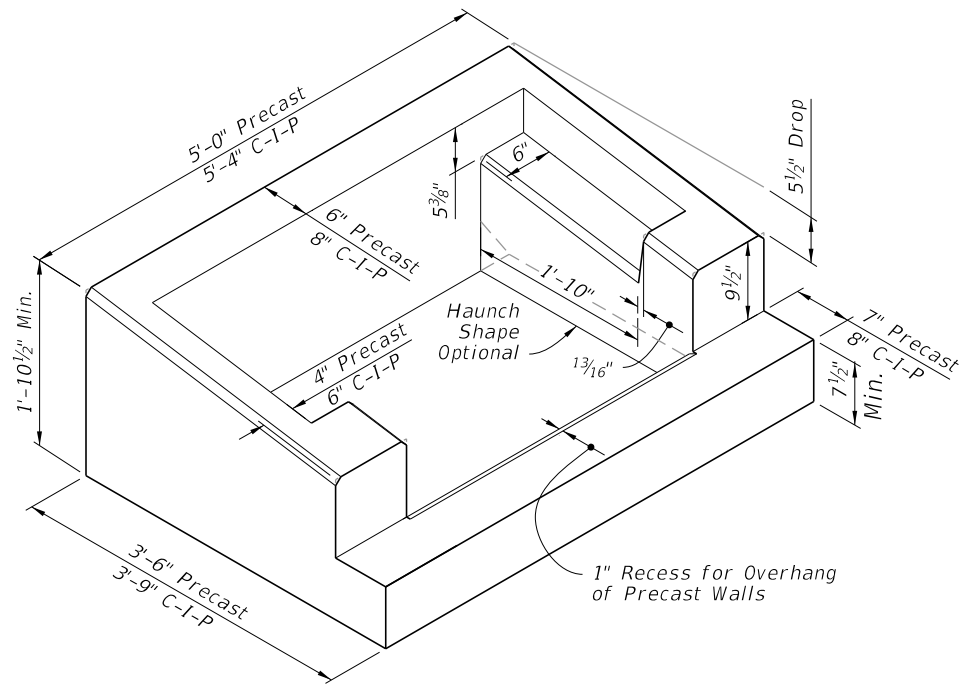


FY 2025-26
 STANDARD PLANS

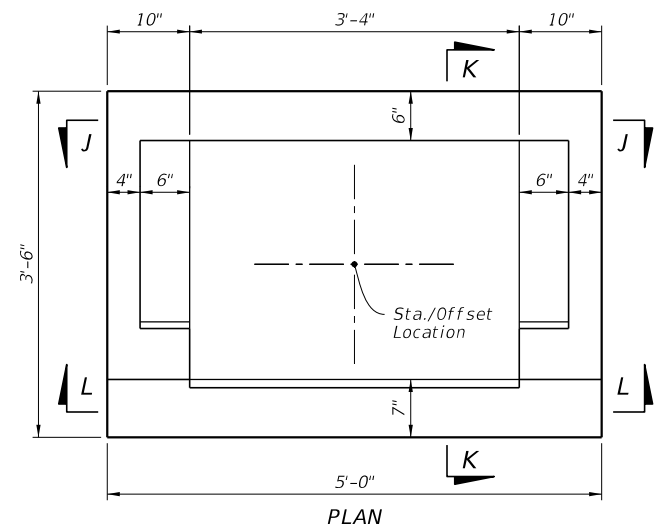
CURB AND GUTTER BARRIER INLET

INDEX
 425-032

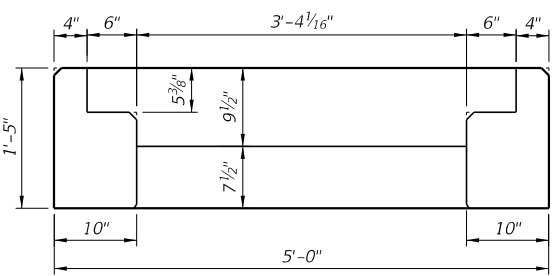
SHEET
 3 of 4



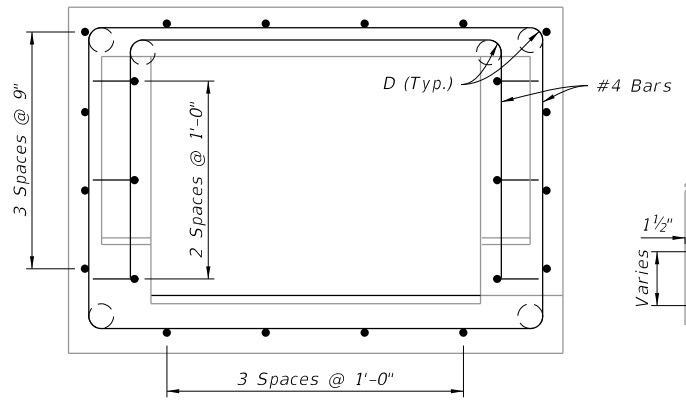
INLET COLLAR
ISOMETRIC VIEW
 (Gate Not Shown)



PLAN

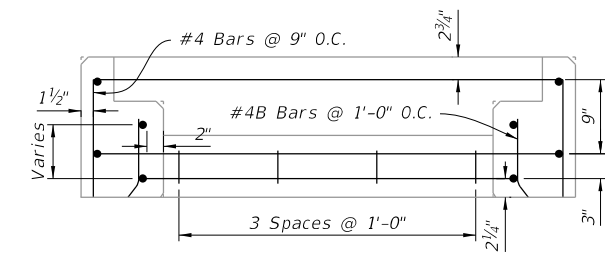


SECTION L-L

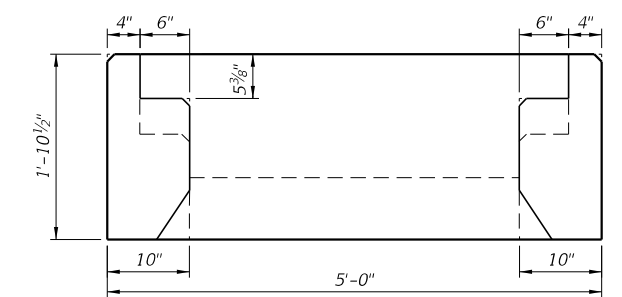


PLAN

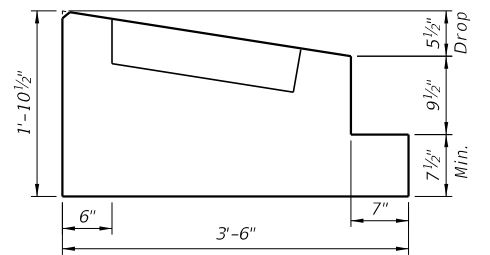
NOTE:
 See BAR BENDING DIAGRAMS on Sheet 3
 for additional information on Bar 4B.



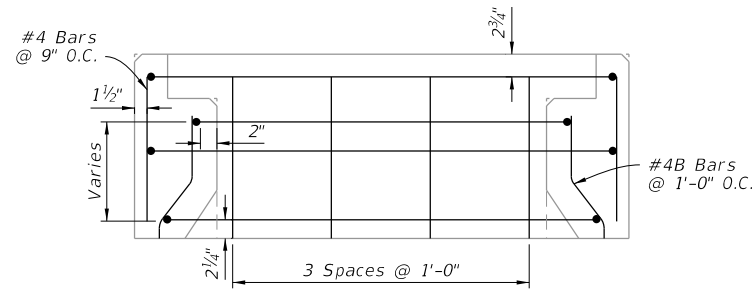
SECTION L-L



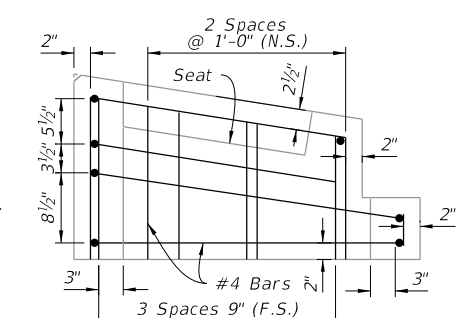
SECTION J-J



SECTION K-K



SECTION J-J



SECTION K-K

DIMENSIONAL DETAILS
 (Precast Shown, C-I-P Similar)

REINFORCING DETAILS
 (Precast Shown, C-I-P Similar)

INLET TOP DIMENSIONAL AND REINFORCING DETAILS

9/10/2024 11:38:13 AM

LAST REVISION	11/01/20	DESCRIPTION:
---------------	----------	--------------