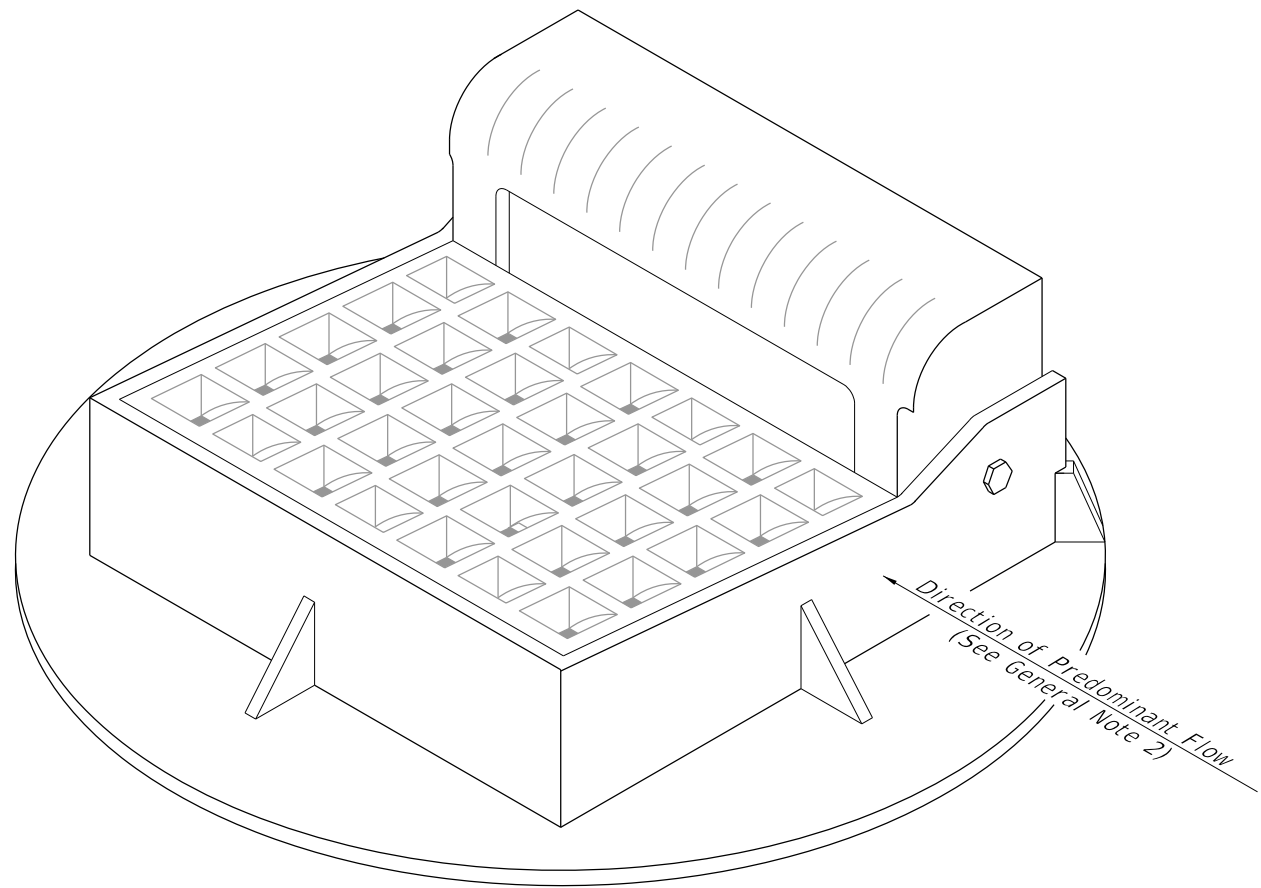


GENERAL NOTES:

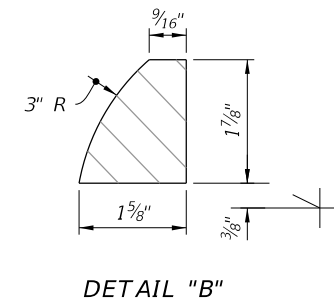
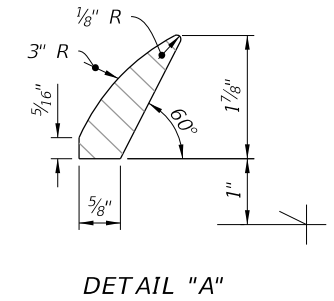
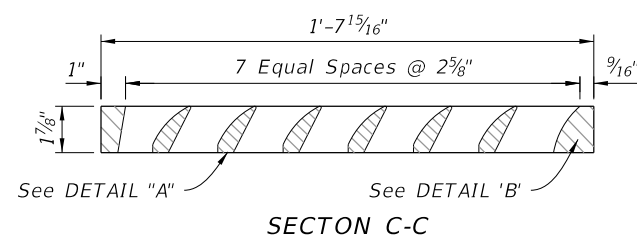
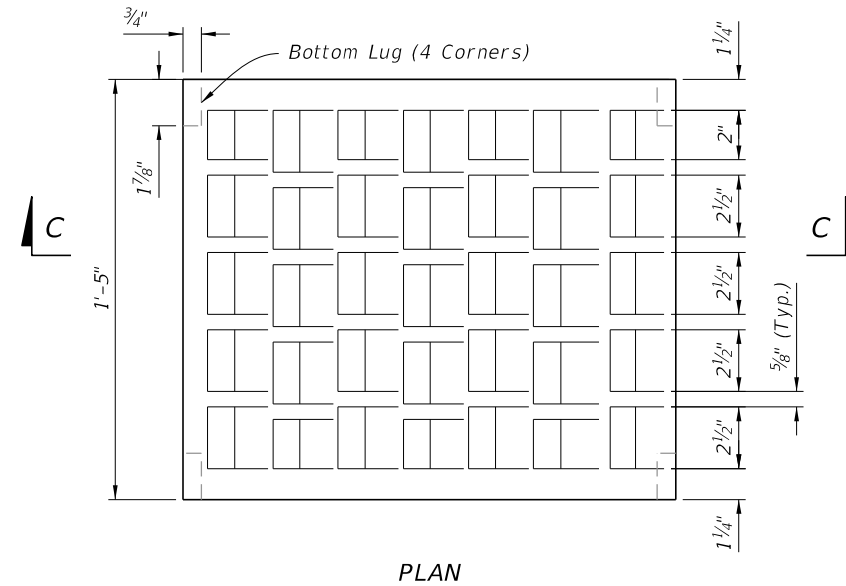
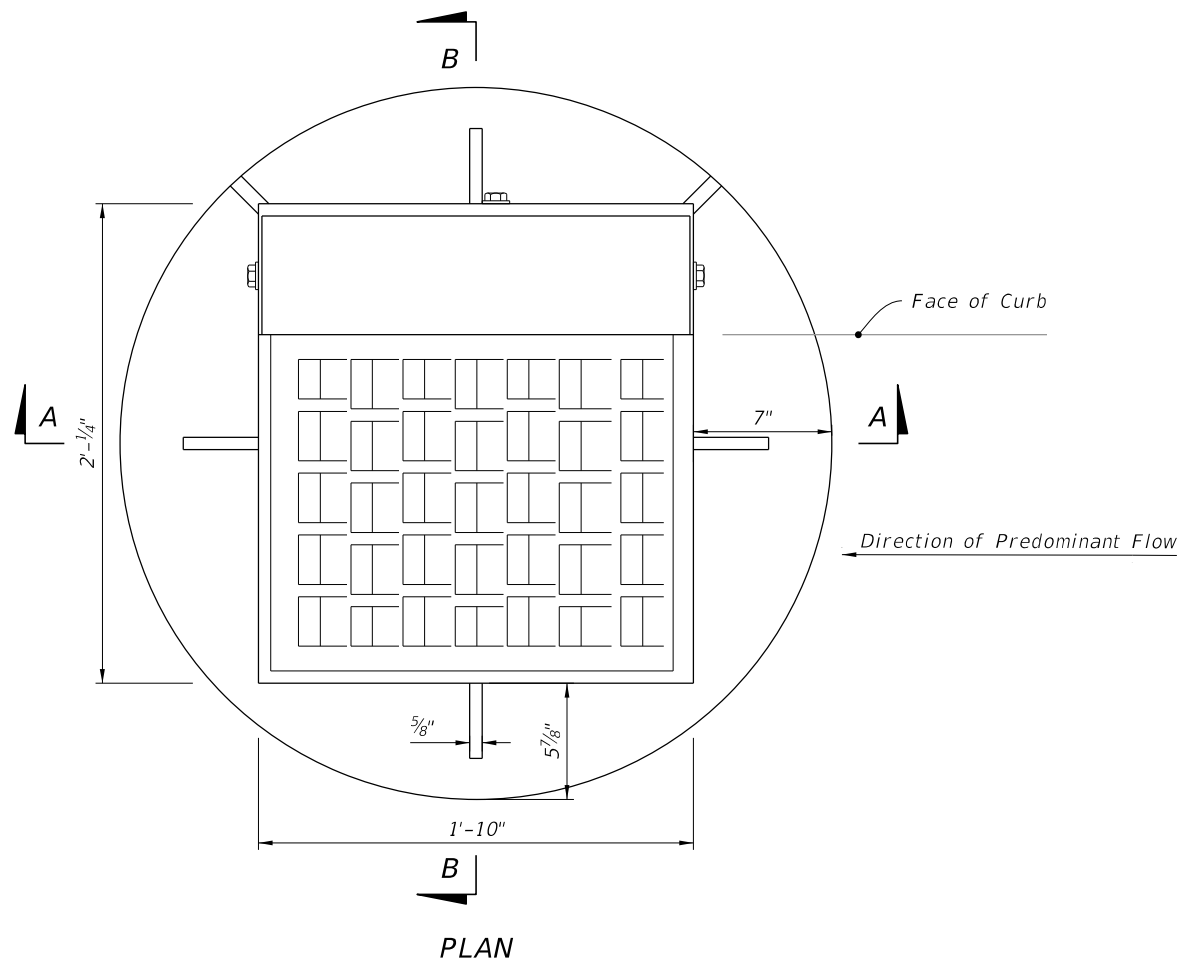
1. Work this Index with Index 425-001 and Index 425-010.
2. Orient grate with vanes directed toward predominant flow.
3. Provide 1¼" minimum cover for steel in slab tops unless otherwise shown. Tops may be either cast-in-place or precast concrete.
4. Place top slab openings such that 2 edges of inlet frame will be located directly above bottom or riser walls, for Alternate B applications.
5. When used on a structure with dimensions larger than those detailed on Sheet 3 and risers are not applied, construct the top slab using Index 425-010 with the slab opening adjusted to 22"x24". The "Special Top Slab" on Index 425-010 is not permitted.
6. Frame may be adjusted with one to six courses of brick.
7. Vaned grates with approximately equal openings that satisfy AASHTO HL-93 loading are permitted. Provide reversible (right or left) grates.

TABLE OF CONTENTS:	
Sheet	Description
1	General Notes and Contents
2	Frame and Grate Details
3	Top Slab Details

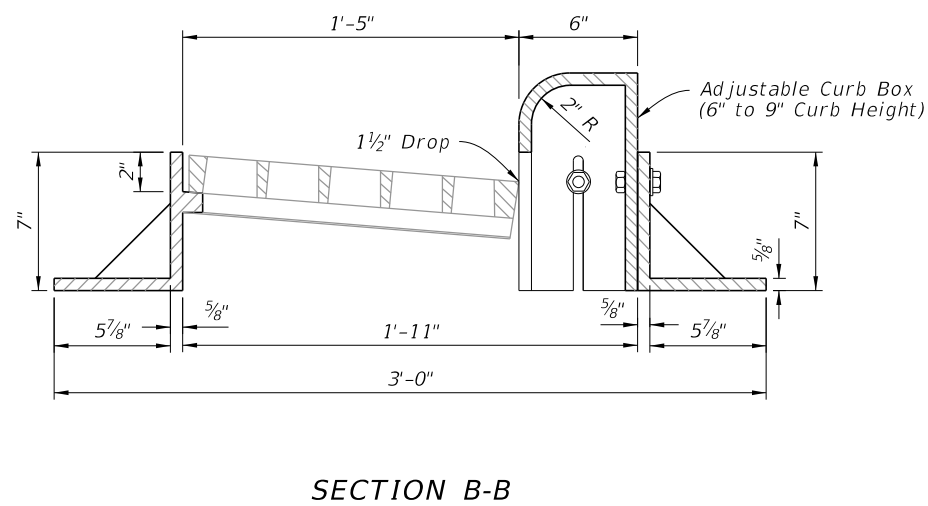
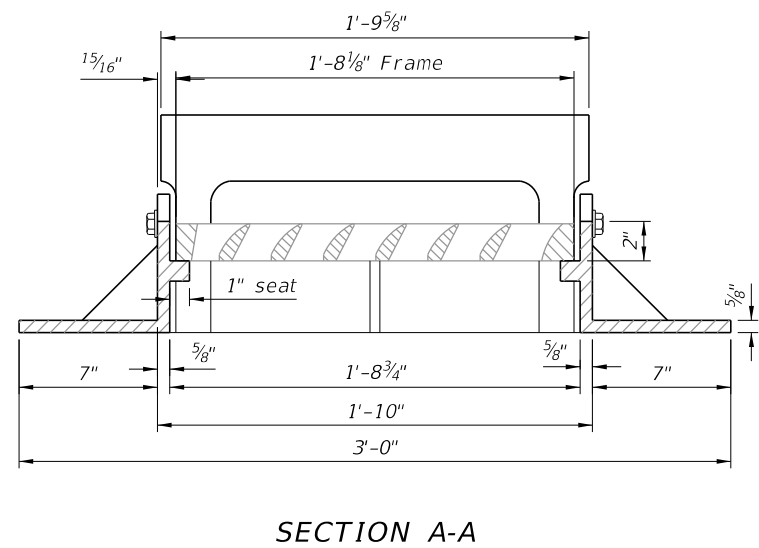


==== CURB INLET TOP TYPE 10 =====

9/10/2024 11:35:01 AM



GRATE DETAILS



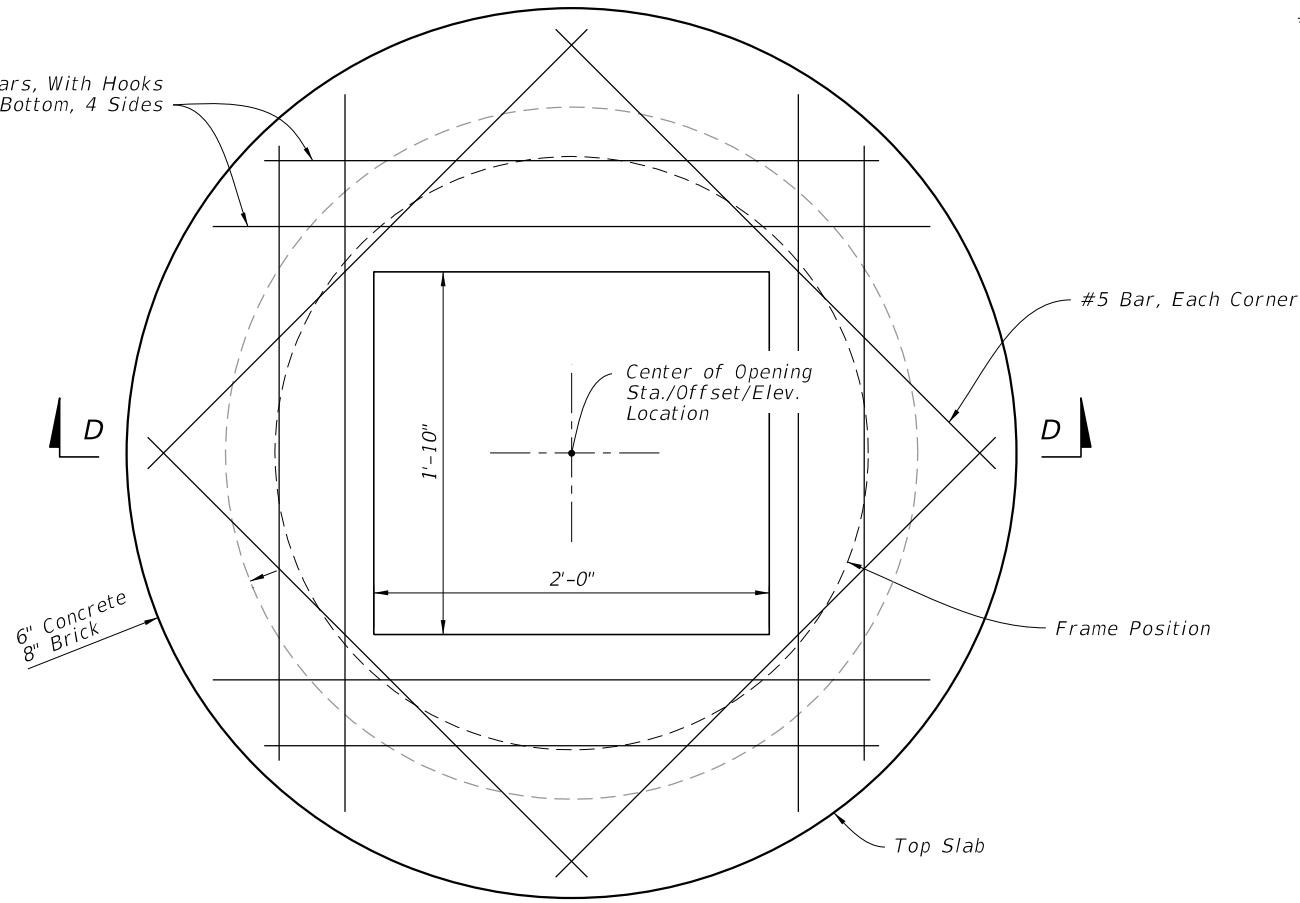
FRAME AND GRATE DETAILS

9/10/2024 11:35:09 AM

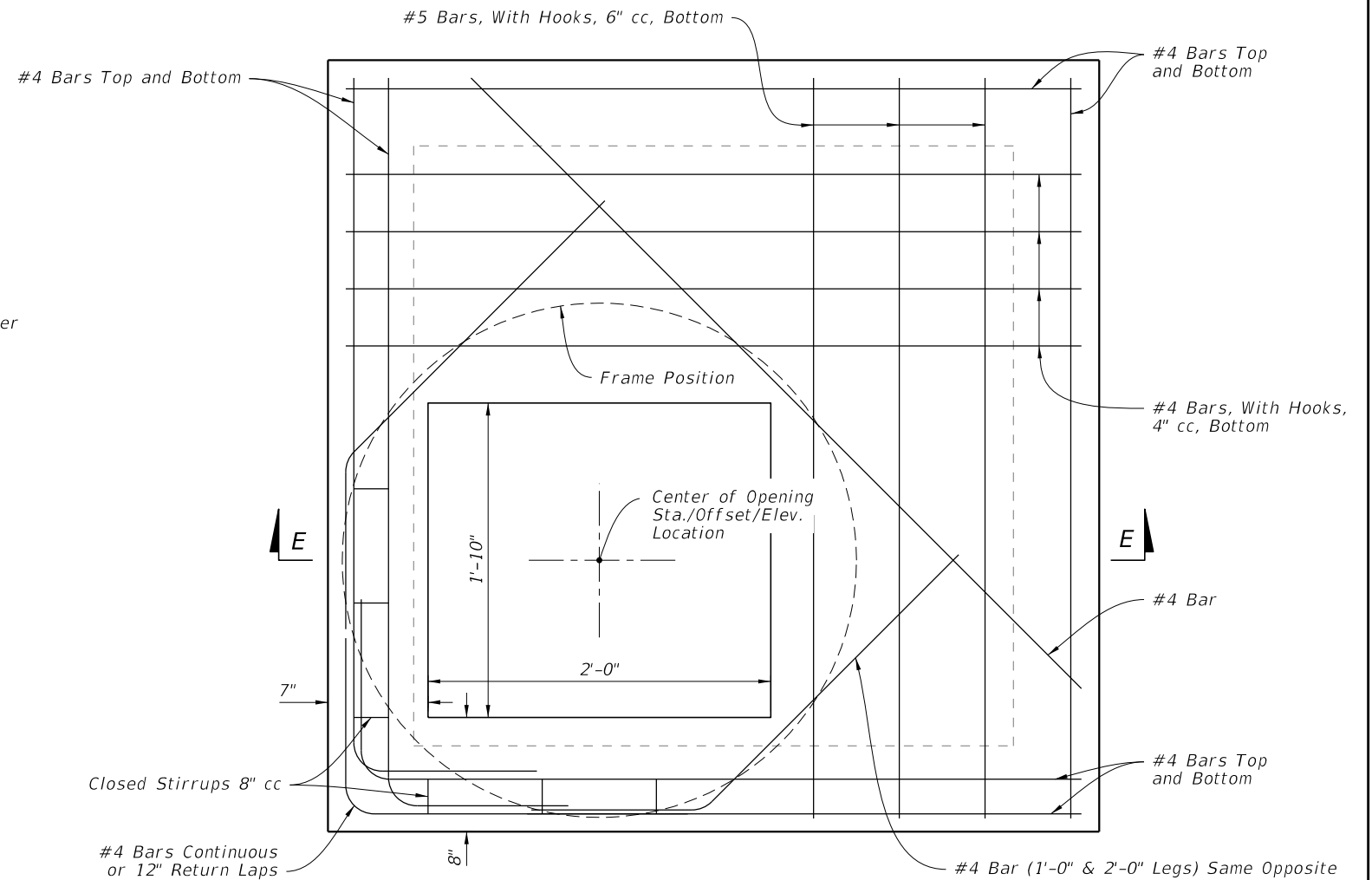
LAST REVISION 11/01/20	DESCRIPTION:		FY 2025-26 STANDARD PLANS	CURB INLET TYPE 10	INDEX	SHEET
					425-025	2 of 3

FRAME AND GRATE DETAILS

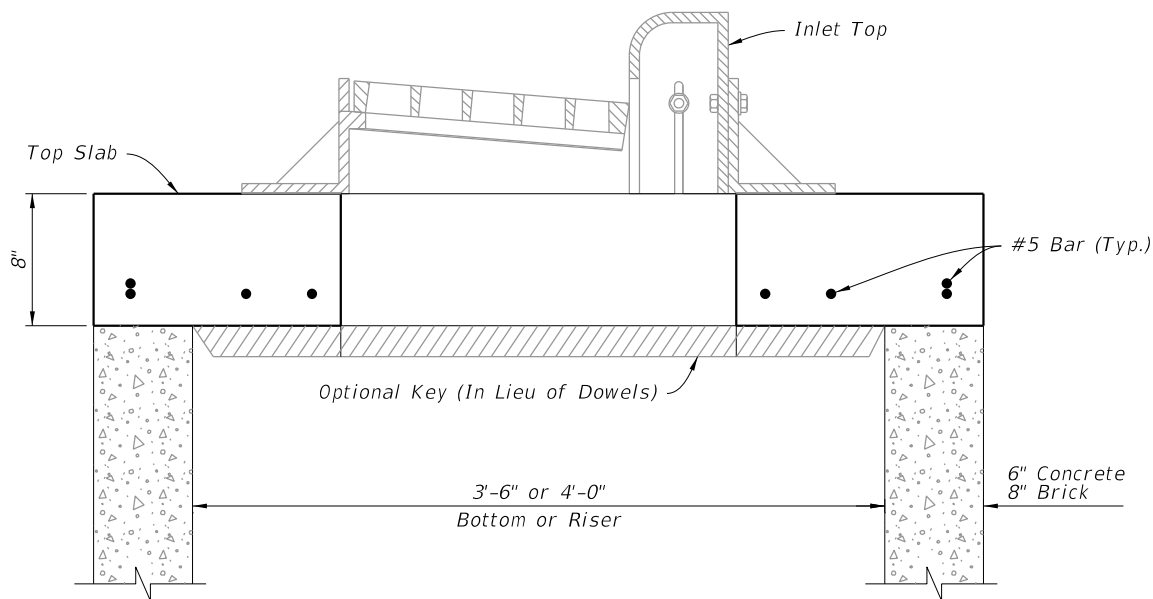
#5 Bars, With Hooks
4" cc, Bottom, 4 Sides



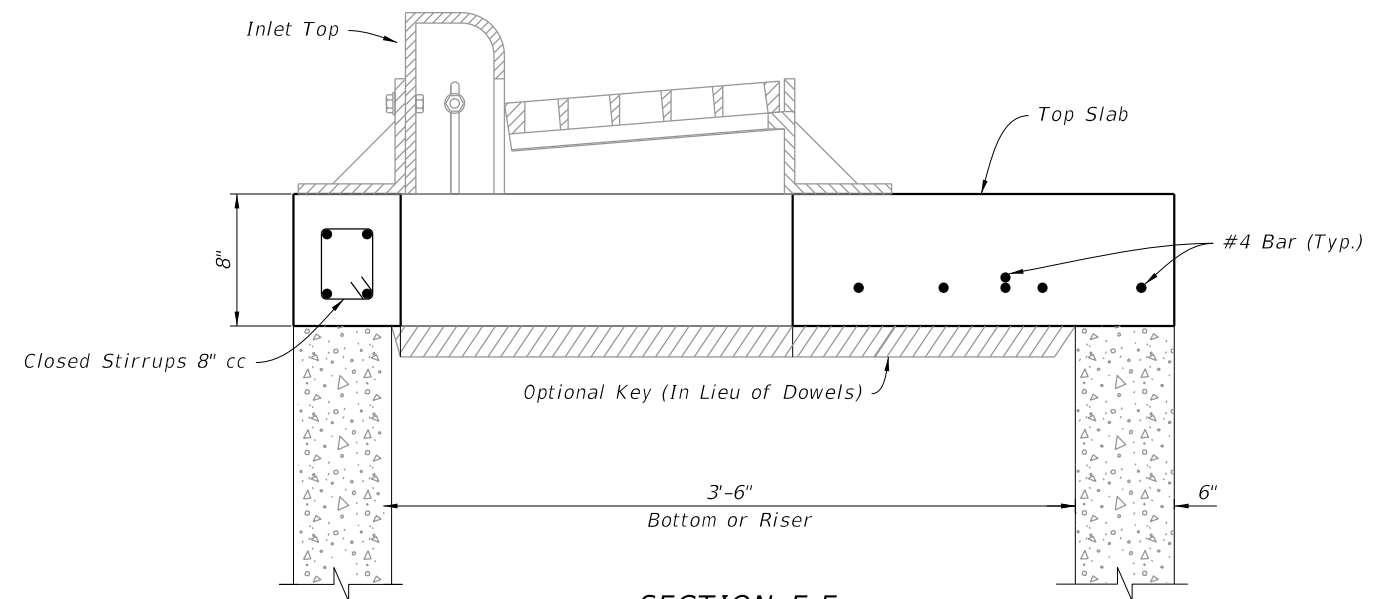
PLAN



PLAN



SECTION D-D



SECTION E-E

TOP SLAB DETAILS

9/10/2024 11:35:17 AM

LAST REVISION 11/01/20	DESCRIPTION:
---------------------------	--------------