

NOTES:
PAVEMENT REMOVAL AND REPLACEMENT

1. Pavement shall be mechanically sawed.
2. The replacement asphalt shall match the existing structural and friction courses for type and thickness in accordance with current FDOT asphalt mix specifications.
3. The new base materials shall be either of the same type and composition as the materials removed or of equal or greater structural adequacy.

BACKFILL OPTION

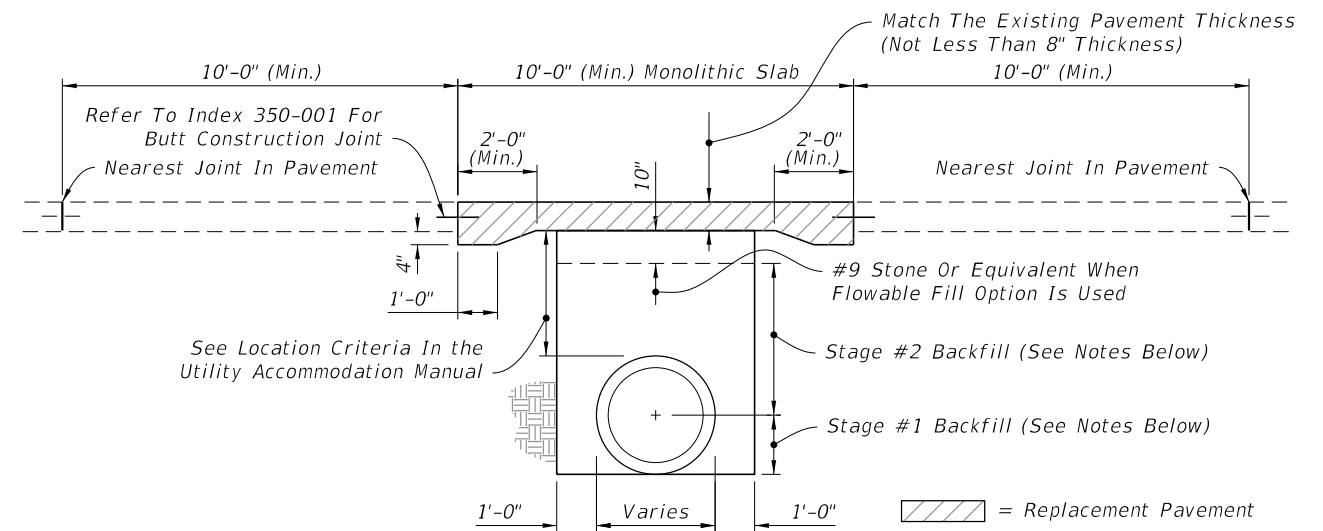
1. COMPACTED AND STABILIZED FILL

- A. Place backfill material in accordance with Specification 125.
- B. In Stage #1, construct compacted fill beneath the haunches of the pipe, using mechanical tamps suitable for this purpose. This compaction applies to the material placed beneath the haunches of the pipe and above any bedding.
- C. In Stage #2, construct compacted fill along the sides of the pipe and up to the bottom of the base, with the upper 12" receiving Type B Stabilization. In lieu of Type B Stabilization, the Contractor may construct using Optional Base Group 3.

2. FLOWABLE FILL

- A. If compaction can not be achieved through normal mechanical methods then flowable fill may be used.
- B. Flowable fill is to be placed in accordance with Specification 121, as approved by the Engineer.
- C. Do not allow the utility being installed to float. If a method is provided to prevent flotation from occurring, Stages #1 and #2 can be combined, if approved by the Engineer.
- D. In Stage #1, place flowable fill midway up on both sides of the utility. Allow to harden before placing Stage #2.
- E. In Stage #2, place flowable fill to the bottom of the existing base course.

FLEXIBLE PAVEMENT CUT



NOTES:
PAVEMENT REMOVAL AND REPLACEMENT

1. High early strength cement concrete (3000 psi) meeting the requirements of Specification 346 shall be used for rigid pavement replacement.
2. Pavement shall be mechanically sawed and restored to conform with existing pavement joints within 12 hours. (See Index 350-001)

BACKFILL OPTION

1. GRANULAR BACKFILL

- A. Any edgedrain system that is removed shall be replaced with the same type materials. Any edgedrain system that is damaged shall be repaired with methods approved by the Engineer.
- B. Fill material shall be placed in accordance with the Standard Specifications. Fill material shall be special select soil in accordance with Index 350-001.
- C. In Stage #1, construct compacted fill beneath the haunches of the pipe, using mechanical tamps suitable for this purpose. This compaction applies to the material placed beneath the haunches of the pipe and above any bedding.
- D. In Stage #2, construct fill along the sides of the pipe and up to the bottom of replacement pavement.

2. FLOWABLE FILL

- A. If mechanical compaction can not be achieved through normal mechanical methods then flowable fill may be used.
- B. Flowable fill is to be placed in accordance with Specification 121, as approved by the Engineer.
- C. Do not allow the utility being installed to float. If a method is provided to prevent flotation from occurring, Stages #1 and #2 can be combined, if approved by the Engineer.
- D. In Stage #1, place flowable fill midway up on both sides of the utility. Allow to harden before placing Stage #2.
- E. In Stage #2, place flowable fill to the bottom of the stone layer.


RIGID PAVEMENT CUT

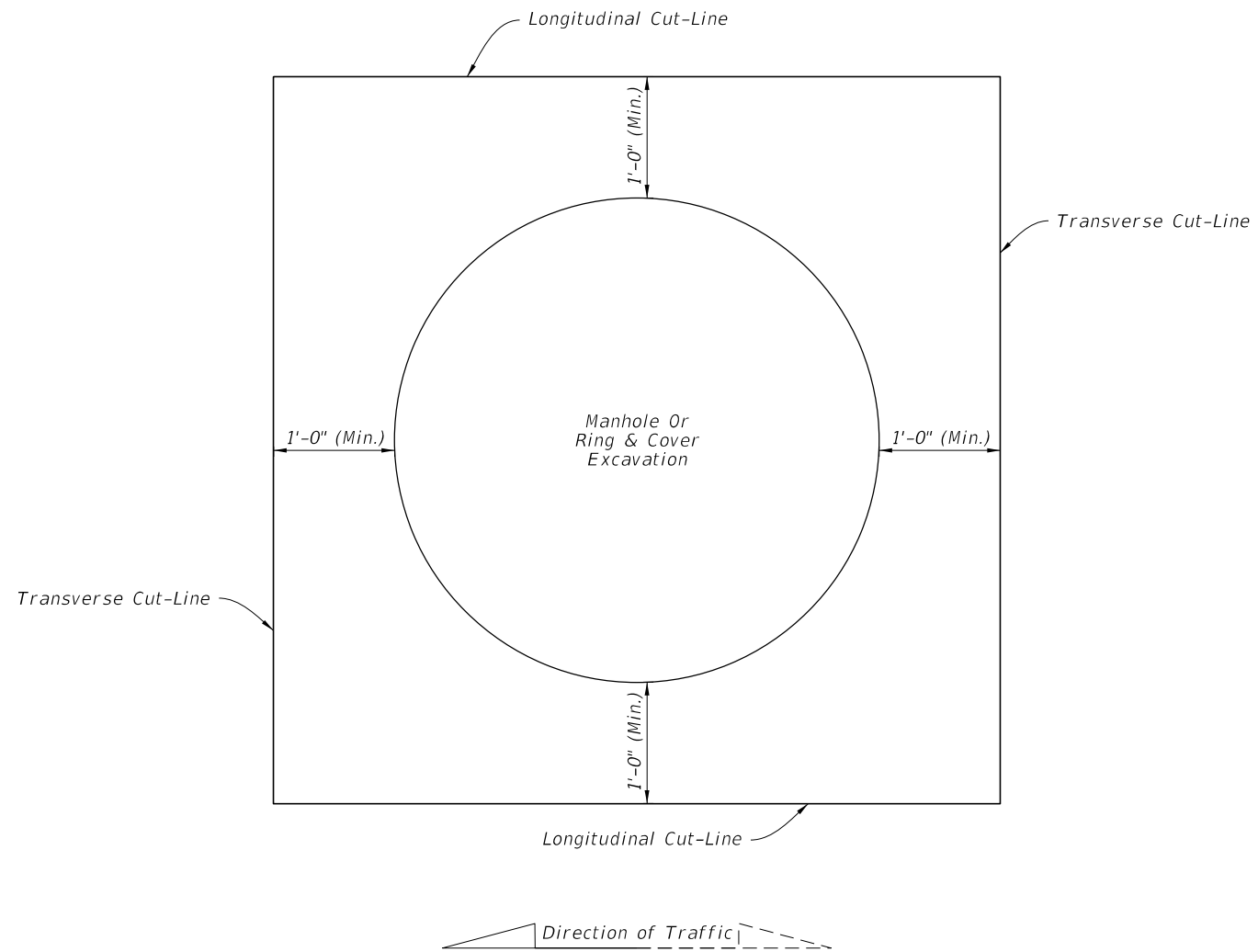
GENERAL NOTES

1. The details provided in this Index apply to cases in which jack and bore or directional boring methods are not required by the Engineer.
2. Flowable fill shall not be placed directly over loose, or high plastic, or muck material (see Index 120-001) which will cause settlement due to fill weight. Where highly compressible material exists, the amount, shape and depth of flowable fill must be engineered to prevent pavement settlement.
3. These details do not apply to utility cuts longitudinal to the centerline of the roadway which may require the additional use of geotextiles, special bedding and backfill, or other special requirements.
4. Method of construction must be approved by the Engineer.
5. Some pipe may require special granular backfill up to 6" above top of pipe. Geotextiles may be required to encapsulate the special granular material.
6. Where asphalt concrete overlays exist over full slab concrete pavement, the replacement pavement shall have an overlay constructed over the replacement slab. The overlay shall match the existing asphalt pavement thickness. The replacement friction course shall match the existing friction course, except structural course may be used in lieu of dense graded friction course.
7. All shoulder pavement, curb, curb and gutter, and their substructure disturbed by utility trench cut construction shall be restored in kind.
8. The use of flowable fill to reduce the time traffic is taken off a facility is acceptable but must have prior approval by the Engineer. Flowable fill use is allowed only when properly engineered for pavement crossings, whether straight or diagonal, and shall not be installed for significant depths or lengths. The maximum length shall be fifty (50) feet and a maximum depth of six (6) feet unless supported by an engineering document prepared by a registered professional engineer that specializes in soils engineering. The engineering document shall address the evaluation of local groundwater flow interruption and settlement potential.
9. Excavatable flowable fill is to be used when the flowable fill option is selected.

TRENCH CUTS AND RESTORATIONS ACROSS ROADWAYS

9/10/2024 11:20:33 AM

LAST REVISION 11/01/17	REVISION	DESCRIPTION:		FY 2025-26 STANDARD PLANS	UTILITY ADJUSTMENTS THRU EXISTING PAVEMENT	INDEX 125-001	SHEET 1 of 2
---------------------------	----------	--------------	---	------------------------------	--	------------------	-----------------



=====**PARTIAL CUTS FOR RING AND COVER ADJUSTMENTS**=====

NOTES

1. Cut-Lines must be straight and cleanly sawed.
2. See Sheet 1 for replacement pavement.
3. Adjust manholes prior to placing friction course when pavement resurfacing is occurring in the area adjacent to the manhole.
4. Align Longitudinal Cut-Lines with pavement joint or center of traffic lane to avoid wheel path.
5. For rigid pavement, align Transverse Cut-Lines with nearest existing joint.

NONTRENCH PAVEMENT CUTS FOR UNDERGROUND UTILITY STRUCTURES IN PAVEMENT

9/10/2024 11:20:41 AM

LAST REVISION 11/01/17	REVISION	DESCRIPTION:	 FY 2025-26 STANDARD PLANS	UTILITY ADJUSTMENTS THRU EXISTING PAVEMENT	INDEX 125-001	SHEET 2 of 2
------------------------------	----------	--------------	----------------------------------	--	------------------	-----------------