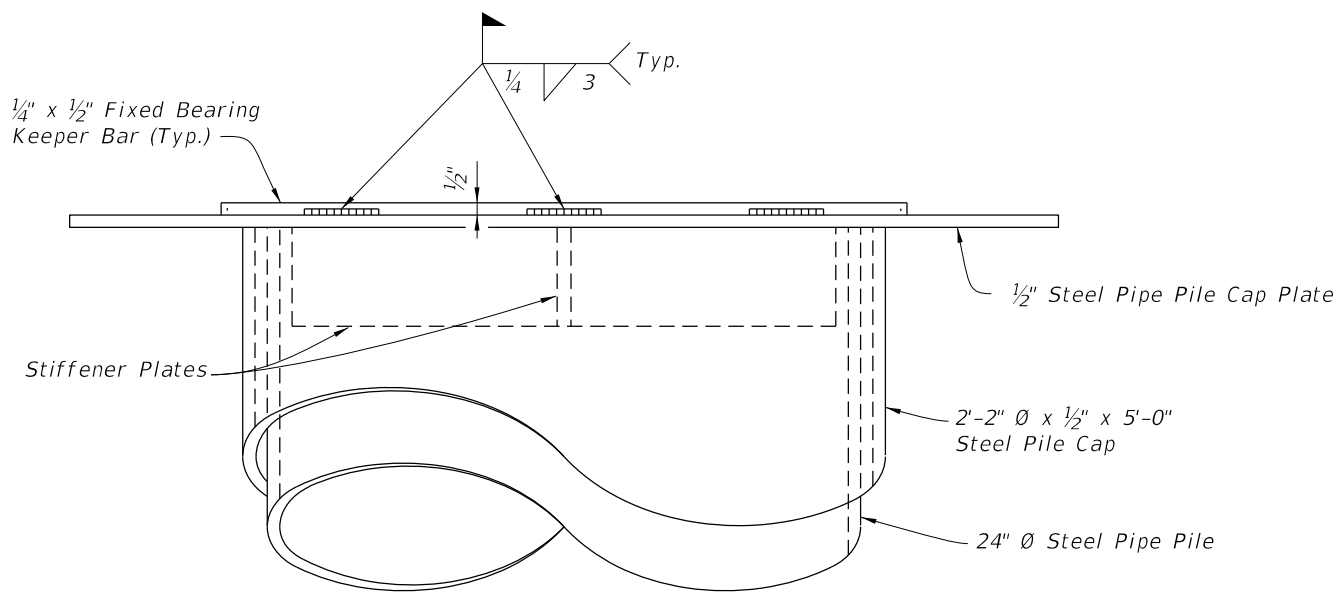
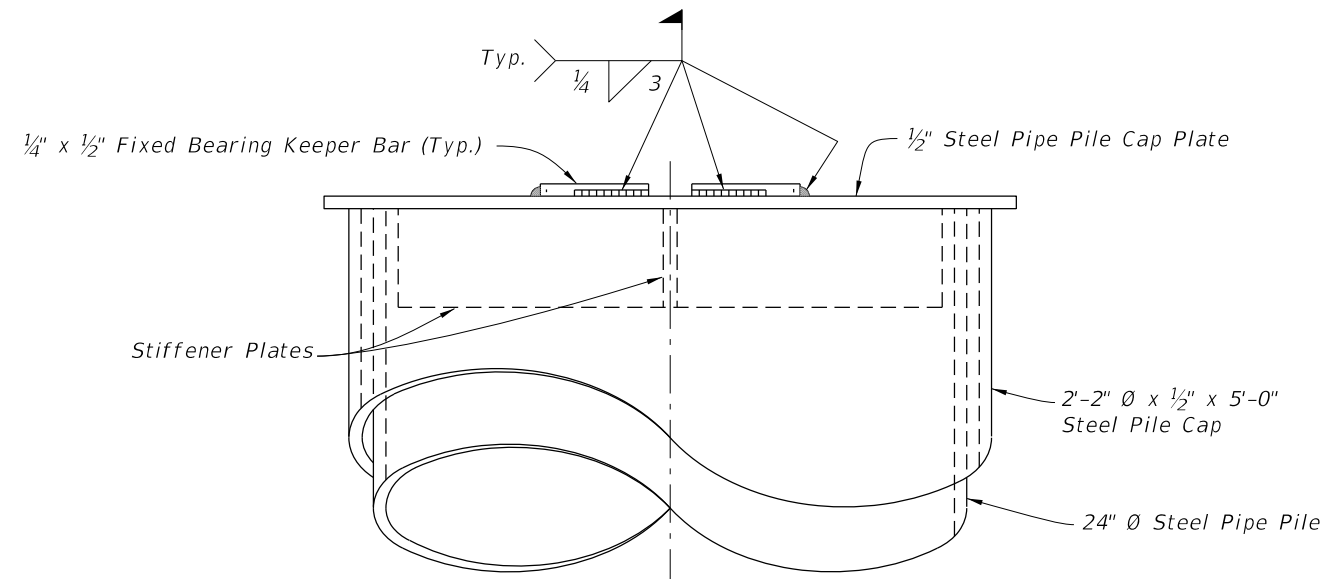


PARTIAL PLAN VIEW

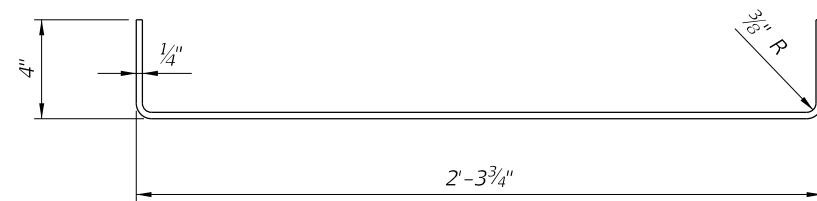


PARTIAL ELEVATION VIEW



END VIEW


Note:
Use Shim Plates as required to provide equal bearing seat elevations across the bent. Vary thickness of Shim Plate across the pile cap plate to provide a level bearing area in the transverse direction.

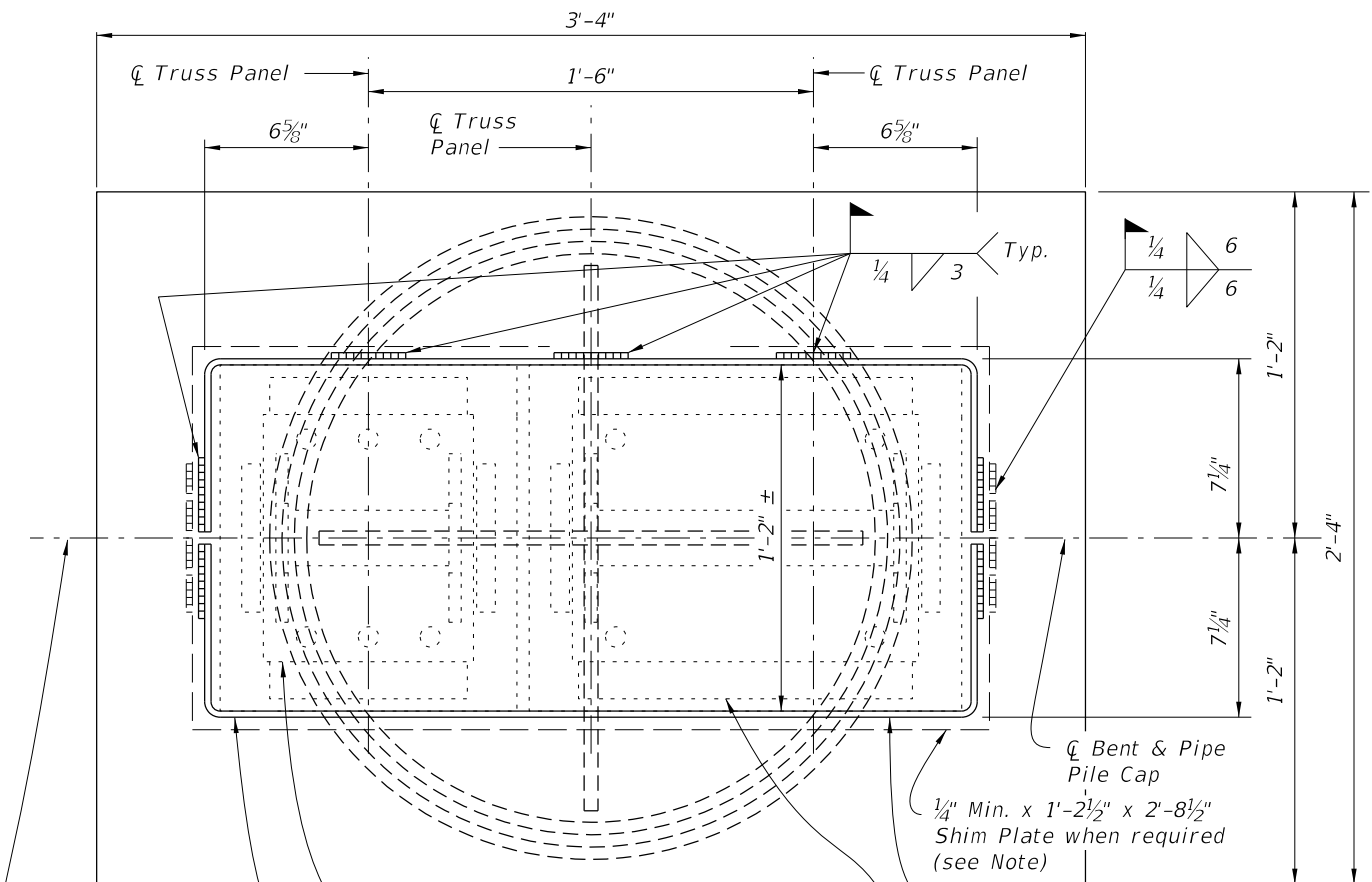


FIXED BEARING KEEPER BAR DETAIL

FIXED BEARING DETAILS

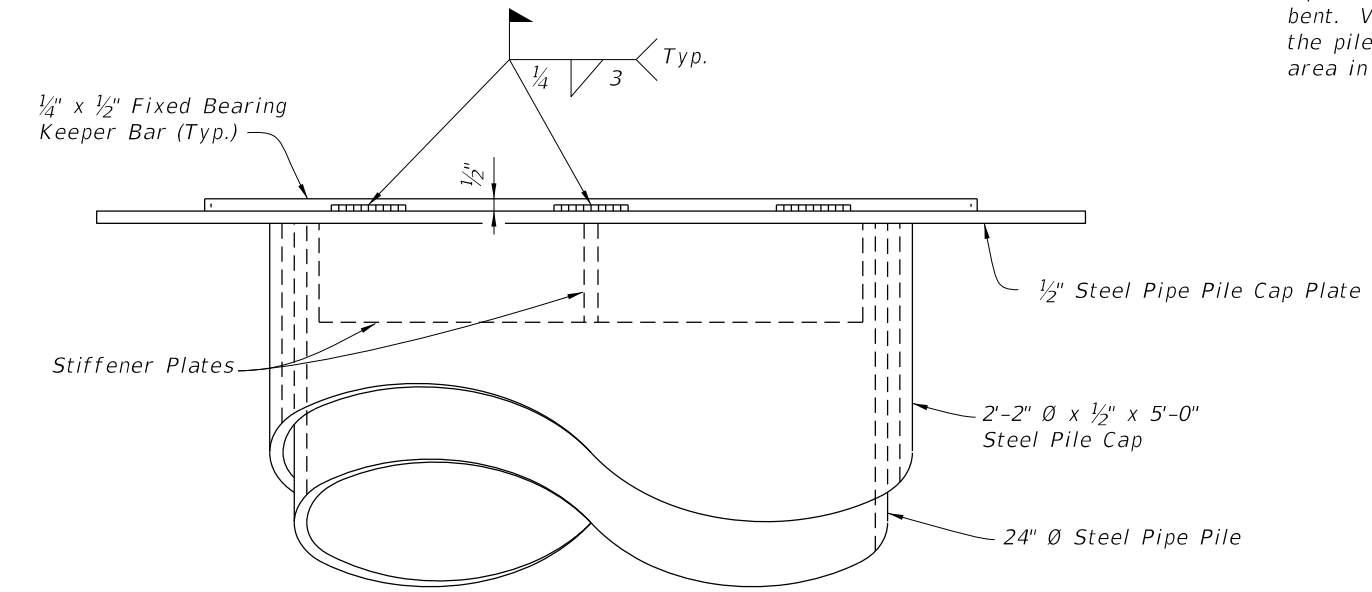
10/17/2024 8:03:05 AM

LAST REVISION 01/01/16	REVISION	DESCRIPTION:	 FY 2025-26 STANDARD PLANS	TEMPORARY DETOUR BRIDGE DETAILS STEEL PIPE PILE FOUNDATIONS	INDEX 102-230	SHEET 2 of 3
---------------------------	----------	--------------	--	--	------------------	-----------------

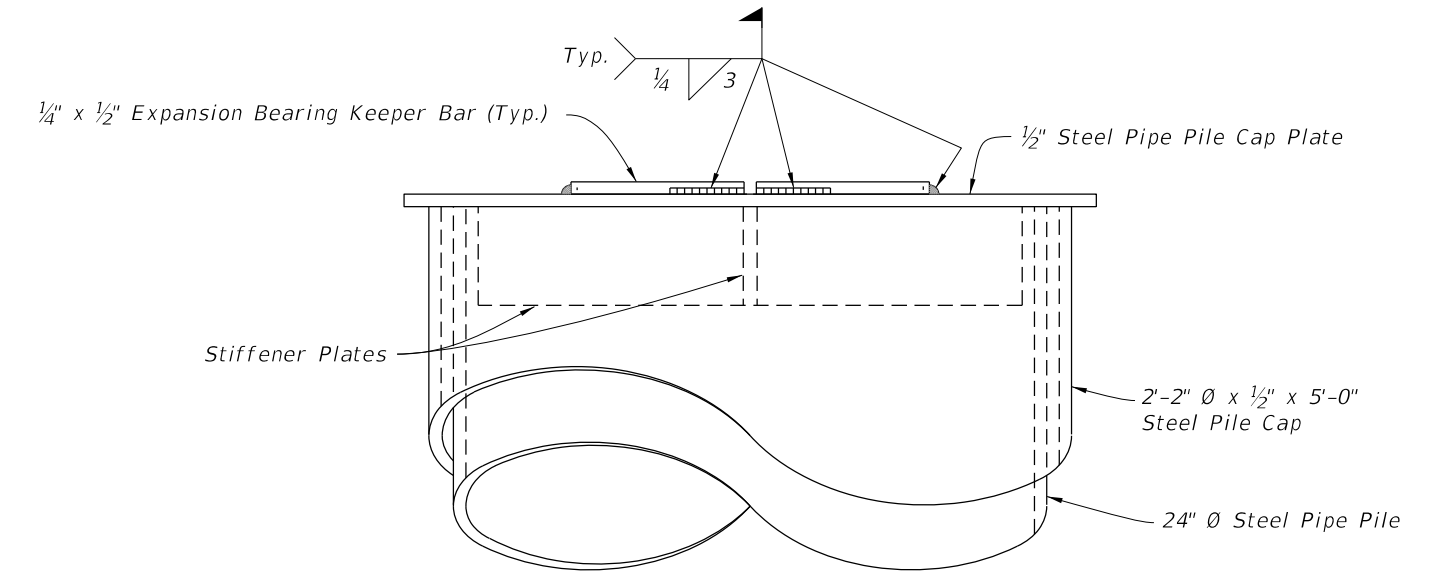


ϕ Bearing (shift as required within tolerance)
 Expansion Bearing Assemblies shown dashed
 $\frac{1}{4}$ " x $\frac{1}{2}$ " Expansion Bearing Keeper Bar (Typ.) (to bear on face of Bearing Plates)
 $\frac{1}{2}$ " Steel Pipe Pile Cap Plate
 ϕ Bent & Pipe Pile Cap
 $\frac{1}{4}$ " Min. x $1'-2\frac{1}{2}$ " x $2'-8\frac{1}{2}$ " Shim Plate when required (see Note)

PARTIAL PLAN VIEW

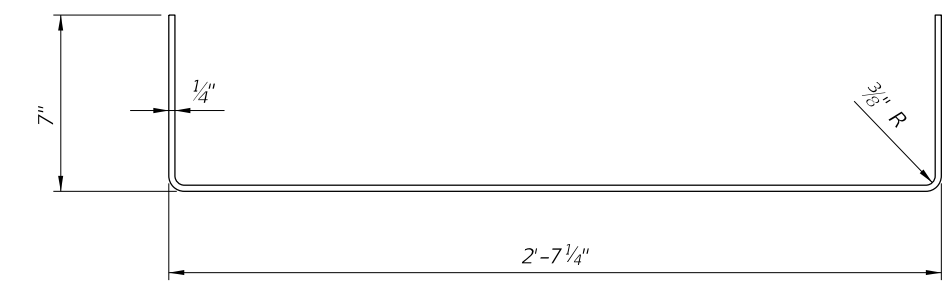


PARTIAL ELEVATION VIEW



END VIEW


Note:
 Use Shim Plates as required to provide equal bearing seat elevations across the bent. Vary thickness of Shim Plate across the pile cap plate to provide a level bearing area in the transverse direction.



EXPANSION BEARING KEEPER BAR DETAIL

ABUTMENT AND INTERMEDIATE EXPANSION BEARING DETAILS

10/17/2024 8:03:11 AM

LAST REVISION 01/01/16	REVISION	DESCRIPTION:		FY 2025-26 STANDARD PLANS	TEMPORARY DETOUR BRIDGE DETAILS STEEL PIPE PILE FOUNDATIONS	INDEX 102-230	SHEET 3 of 3
---------------------------	----------	--------------	--	------------------------------	--	------------------	-----------------