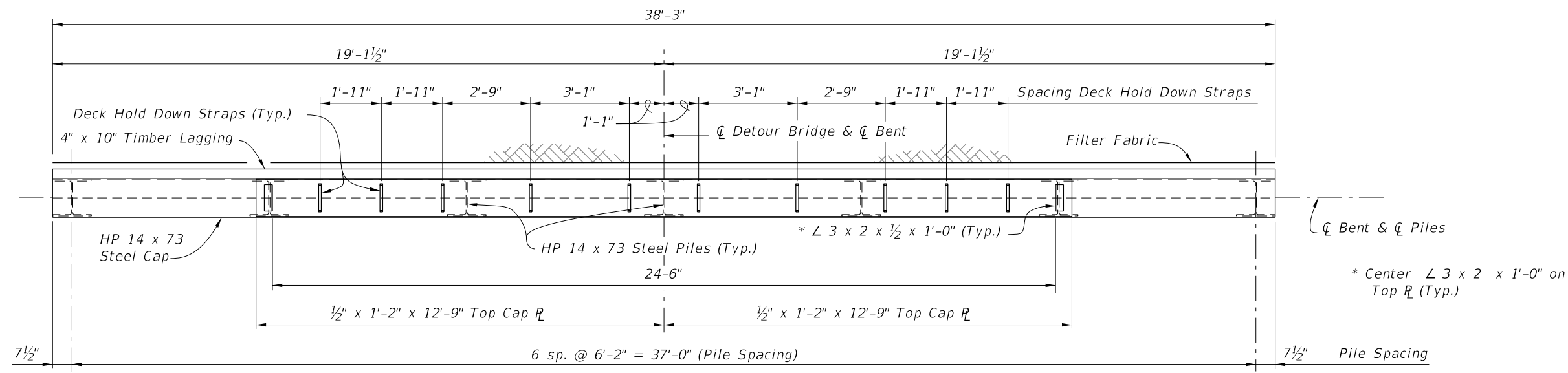


==== **FIXED BEARING DETAILS** ====

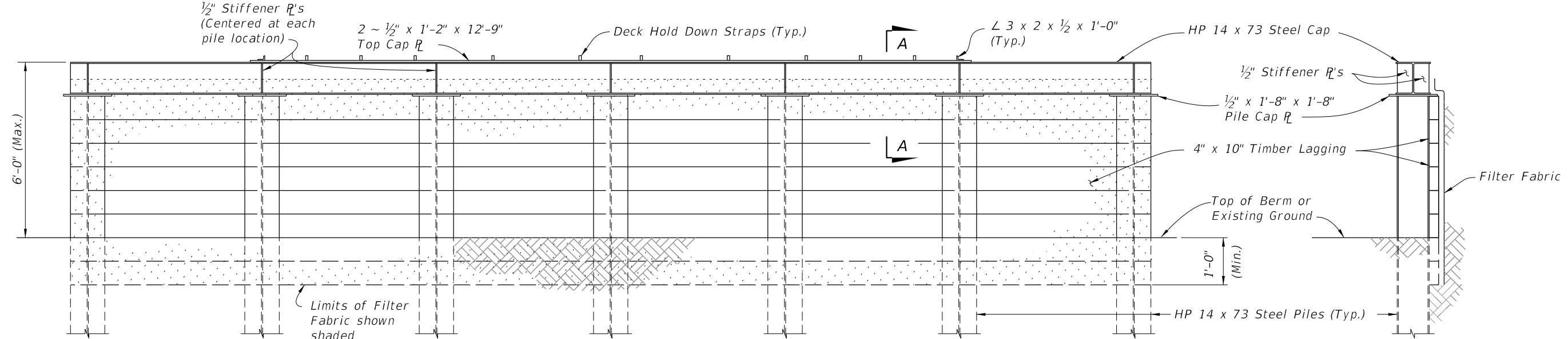
==== **EXPANSION BEARING DETAILS** ====

10/17/2024 8:02:11 AM

LAST REVISION 01/01/16	REVISION	DESCRIPTION:		FY 2025-26 STANDARD PLANS	TEMPORARY DETOUR BRIDGE DETAILS STEEL H PILE FOUNDATIONS	INDEX 102-220	SHEET 1 of 2
---------------------------	----------	--------------	--	------------------------------	---	------------------	-----------------

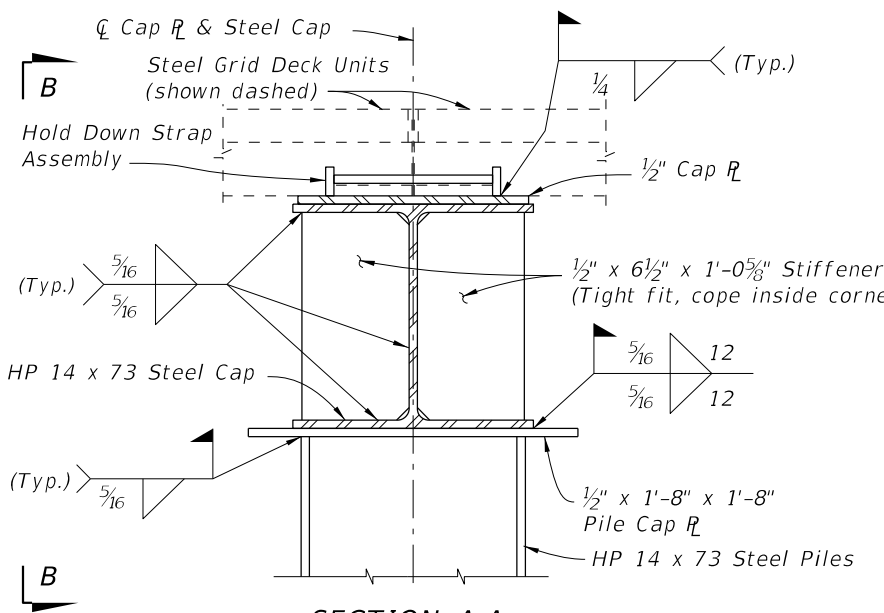


PLAN VIEW

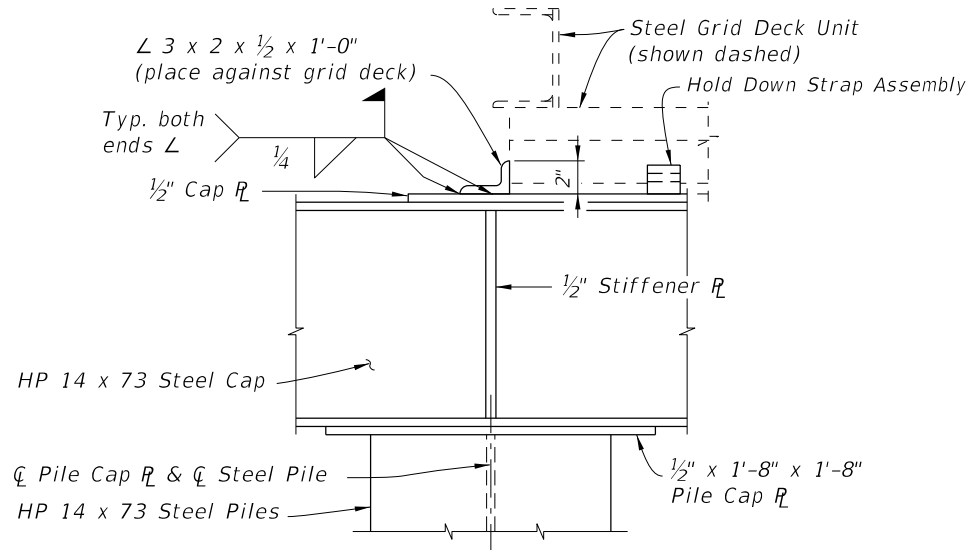


ELEVATION VIEW

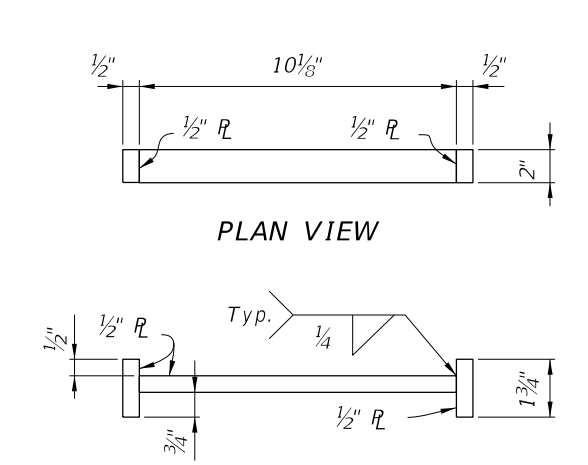
END VIEW



SECTION A-A
(LAGGING NOT SHOWN FOR CLARITY)



VIEW B-B



PLAN VIEW
ELEVATION VIEW
HOLD DOWN STRAP ASSEMBLY DETAIL

BACKWALL BENT DETAILS

10/17/2024 8:02:17 AM

LAST REVISION 07/01/06	REVISION	DESCRIPTION:		FY 2025-26 STANDARD PLANS	TEMPORARY DETOUR BRIDGE DETAILS STEEL H PILE FOUNDATIONS	INDEX 102-220	SHEET 2 of 2
---------------------------	----------	--------------	--	------------------------------	---	------------------	-----------------