

STEEL GRATE DETAIL

(Approx. 388 lbs. - See Sheet 7 For Cast Iron Grates)

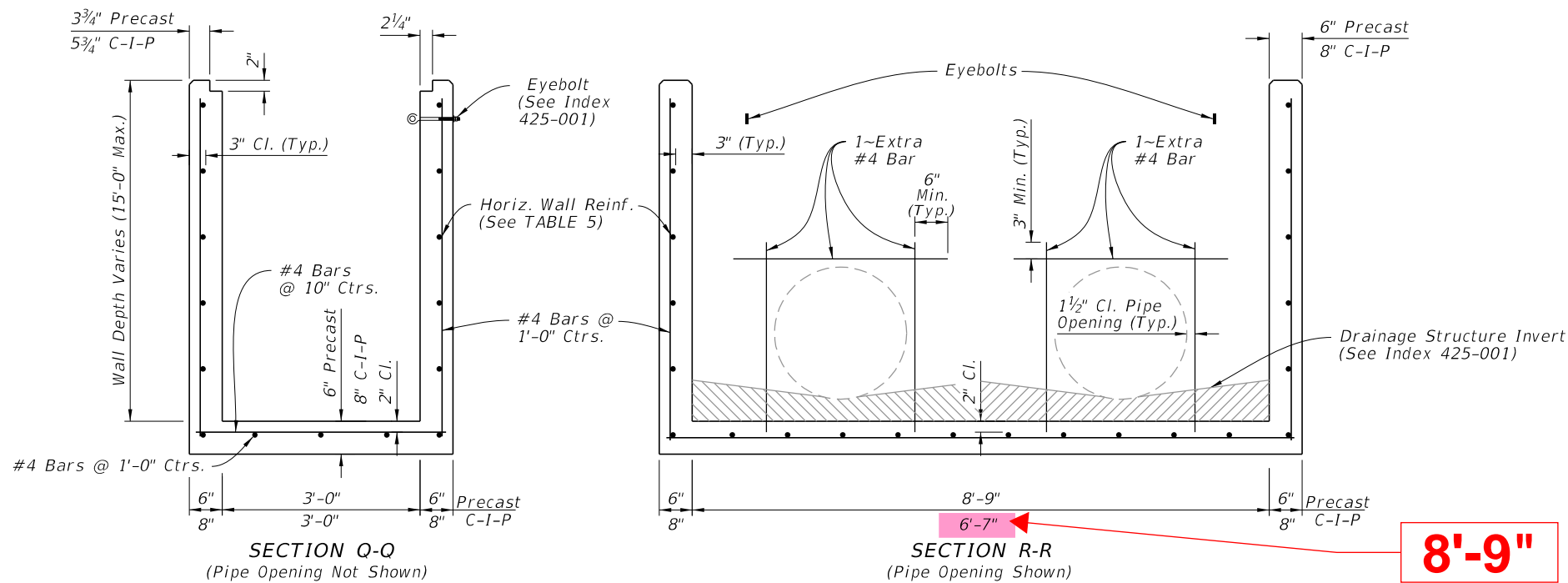


TABLE 5
HORIZONTAL WALL REINFORCING SCHEDULE

| WALL DEPTH | SCHEDULE | AREA (in. ² /ft.) | MAX. SPACING | |
|------------|----------|------------------------------|--------------|-----|
| | | | BARS | WWR |
| 0' - 5' | C3.5 | 0.37 | 3 1/2" | 3" |
| 5'-10' | D4.5 | 0.53 | 4 1/2" | 4" |

NOTES:

1. Grate, Concrete Apron, and Sod not shown on structure details.
2. See Sheet 8, 9, and 10 for Concrete Apron and Sodded Area details.
3. Pipe Spacing S = 4'-3"

DIMENSIONAL AND REINFORCING DETAILS

TYPE H (4 GRATE) - DIMENSIONAL, REINFORCEMENT, AND STEEL GRATE DETAILS

9/10/2024 11:43:53 AM

| | | | | | | |
|---------------------------|--------------|--|------------------------------|---|------------------|------------------|
| LAST REVISION 11/01/20 | DESCRIPTION: | | FY 2025-26 STANDARD PLANS | DITCH BOTTOM INLET TYPES C, D, E, AND H | INDEX 425-052 | SHEET 6 of 14 |
| | | | | | | |