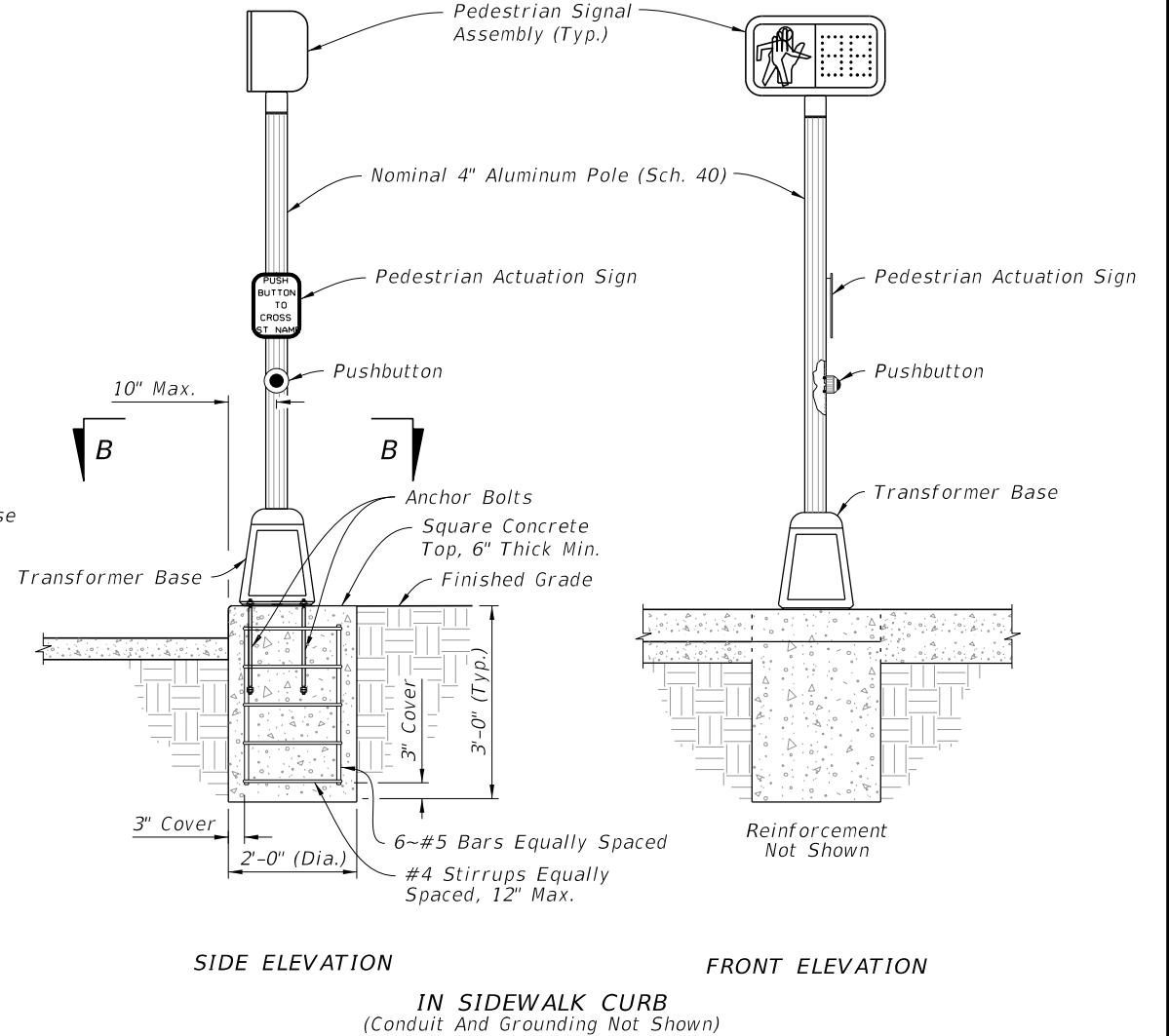
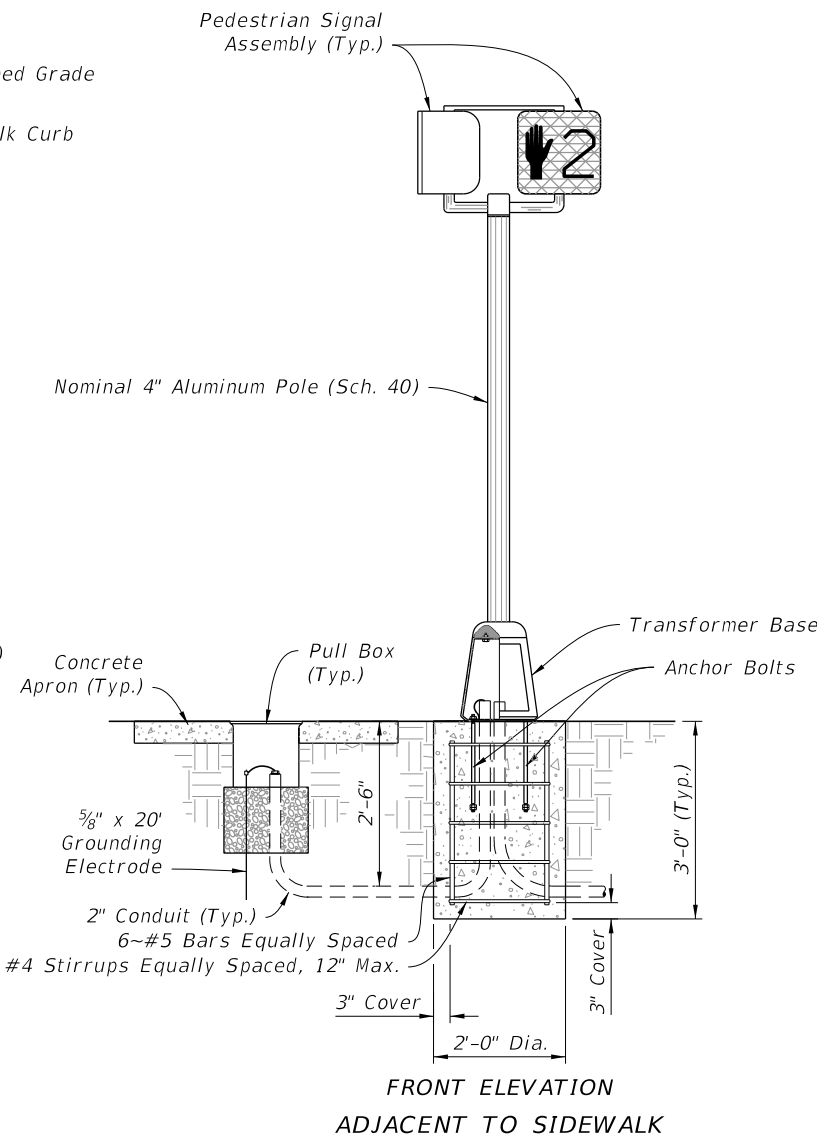
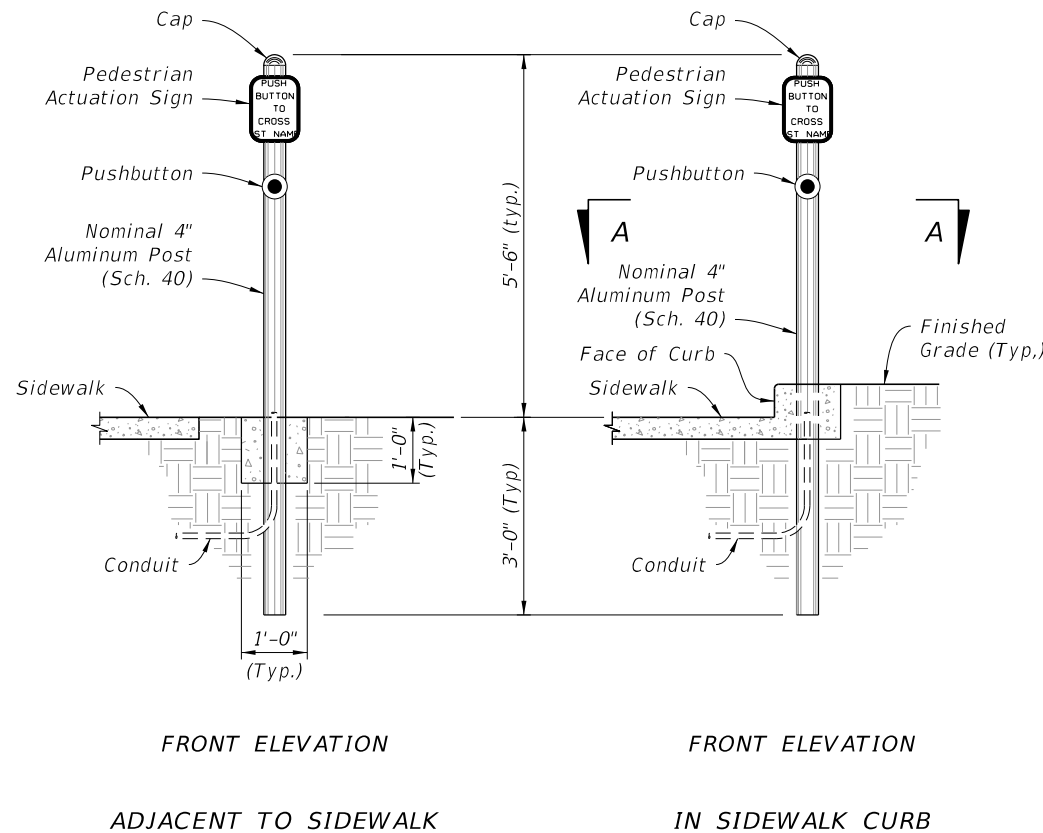
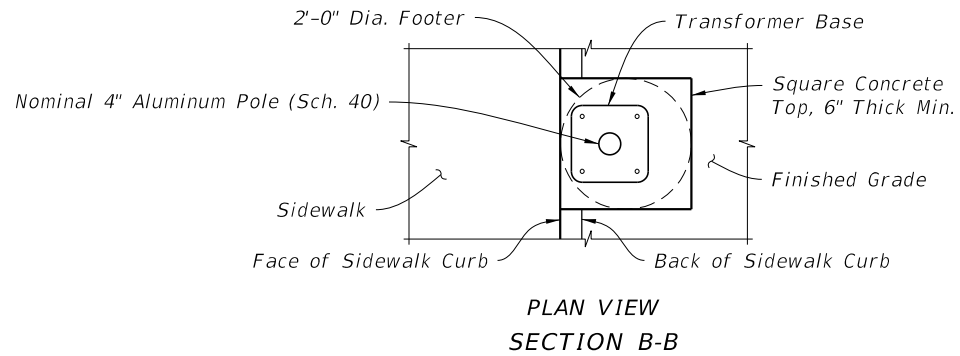
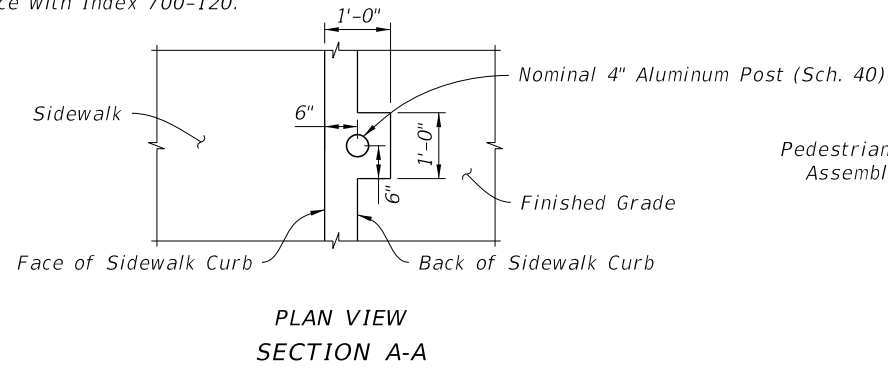


**NOTES:**

1. Work this Index with Specification 646.
2. For Pedestrian Signals see Index 653-001.
3. For Pedestrian Detector Assembly (i.e., Pushbutton and Sign) details see Index 665-001.
4. Footing may be Cast-In-Place (C-I-P) or Precast.
5. As an alternative to the direct buried "Post Mounted" Pedestrian Detector Assembly shown below, the post may be installed on a transformer base. Use a transformer base included on the APL approved as an alternative to a "Post Mounted" assembly.
6. In lieu of footing design shown, a Spread Footing may be used in accordance with Index 700-120.



POST MOUNTED

PEDESTAL MOUNTED

10/3/2023 2:14:57 PM

LAST REVISION 11/01/23	DESCRIPTION:		FY 2024-25 STANDARD PLANS	ALUMINUM POST AND PEDESTAL MOUNTED PEDESTRIAN DETECTORS AND SIGNALS	INDEX	SHEET
					646-001	1 of 1