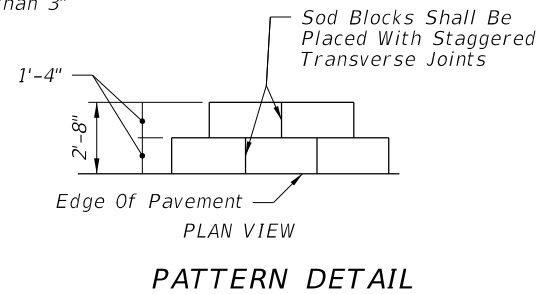


**COMPLETED SHOULDER**

**CRITERIA FOR USING TREATMENT I**

- Project \_\_\_
- is resurfacing, widening and resurfacing or construction of shoulder pavement
  - is rural or is urban without curb and gutter
  - resurfacing build-up is less than 3"



**GENERAL NOTES**

**1. Treatment I:**

If trenching under sod is necessary to achieve the required Drop-Off, excavated topsoil is to be used for filling voids and low areas at the edge of pavement or for flushing along the edge of sod. Excess material to be uniformly distributed over the shoulder.

**2. Treatment II:**

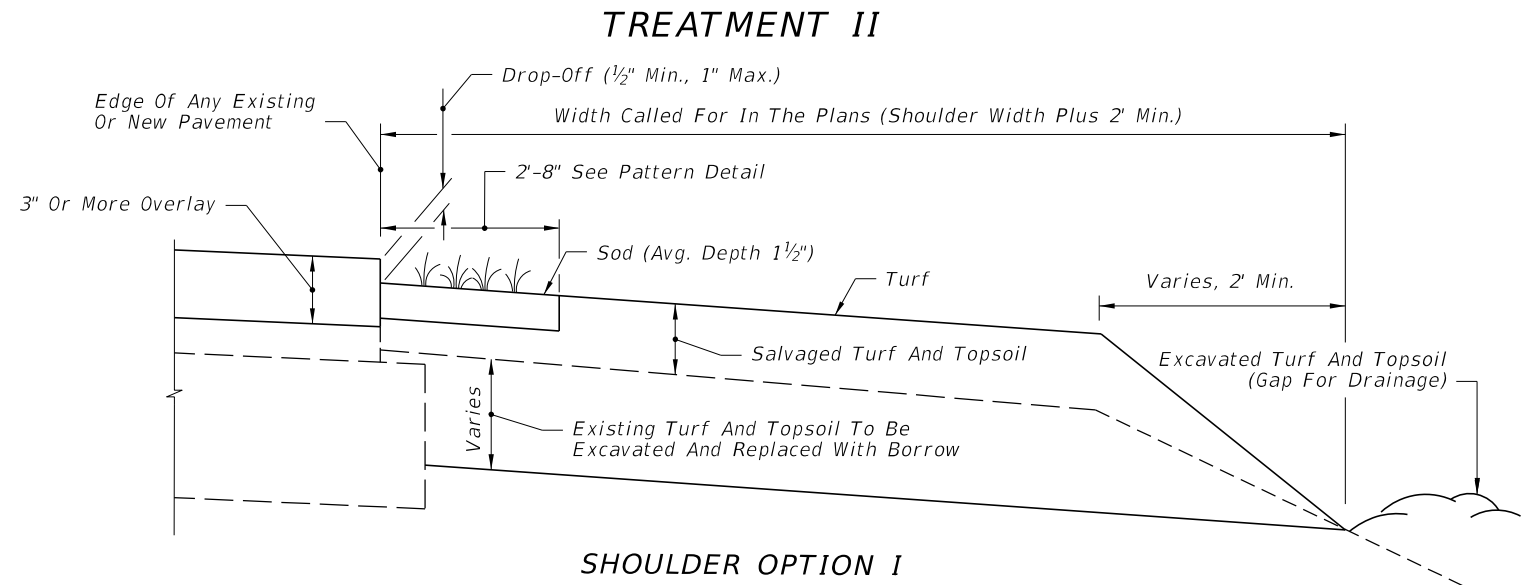
- A. Borrow must meet the requirements for a "Select" material in accordance with Index 120-001 and Specification 120.
- B. Borrow may be used in lieu of excavated turf and topsoil when economically feasible. There will be no additional payment for substituting borrow for excavated turf and topsoil.

3. Special attention is to be directed at achieving the required Drop-Off at the edge of pavement, within the dimension range shown.

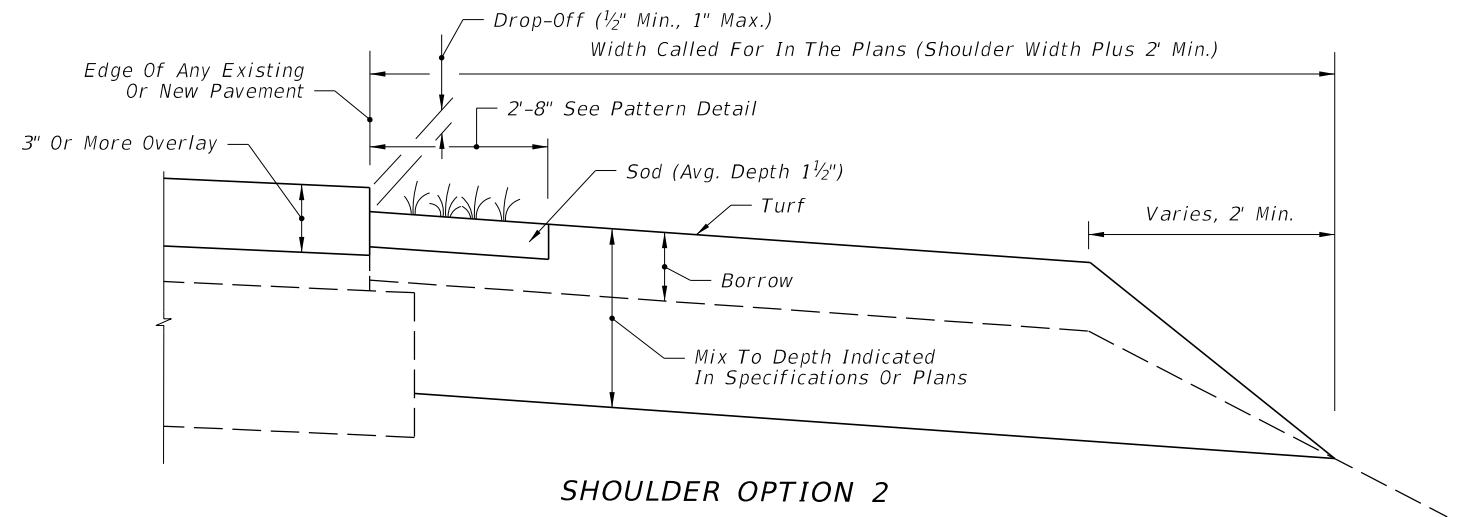
4. Activities such as clearing, grading, and excavating that will disturb one or more acres of land require coverage under the Generic Permit for Stormwater Discharge from Large and Small Construction Activities from the Florida Department of Environmental Protection, and implementation of appropriate pollution prevention measures to minimize erosion and sedimentation and properly manage stormwater.

**5. Turf Establishment:**

- A. Wildflowers destroyed by shoulder sodding and turf operations are to be reestablished under the seeding rates prescribed for permanent wildflower #2 Group shown by table on Index 570-001.
- B. Establish turf in accordance with Specification 570.



**SHOULDER OPTION 1**




**SHOULDER OPTION 2**

**CRITERIA FOR USING TREATMENT II**

- Project \_\_\_
- is resurfacing or construction of shoulder pavement
  - is rural or is urban without curb and gutter
  - resurfacing build-up is 3" or more

A SIMILAR TREATMENT MAY BE USED FOR PROJECTS THAT REQUIRE SHOULDER WIDENING. DETAILS ARE TO BE SHOWN IN THE PLANS.

10/3/2023 1:57:39 PM

LAST REVISION 11/01/18	REVISION	DESCRIPTION:		FY 2024-25 <b>STANDARD PLANS</b>	<b>SHOULDER SODDING AND          TURF ON EXISTING FACILITIES</b>	INDEX <b>570-010</b>	SHEET <b>1 of 1</b>
---------------------------	----------	--------------	---	-------------------------------------	--	-------------------------	------------------------