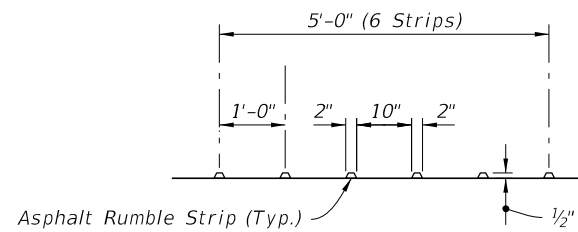
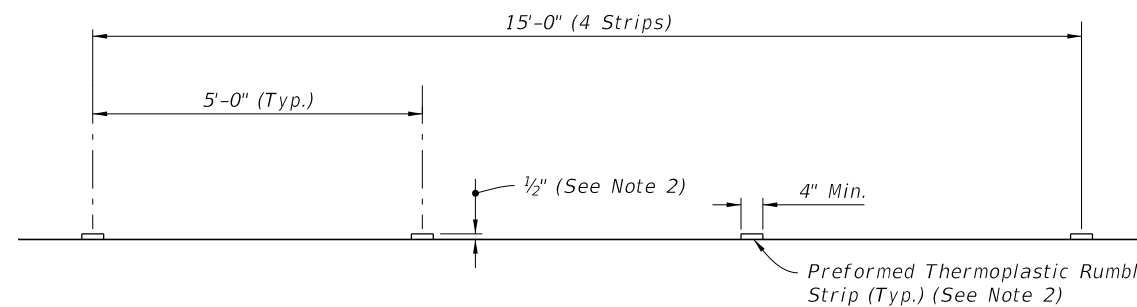


SPACING OF RAISED RUMBLE STRIP SETS AT INTERSECTIONS
(Performed Thermoplastic Set Shown, Others Similar)

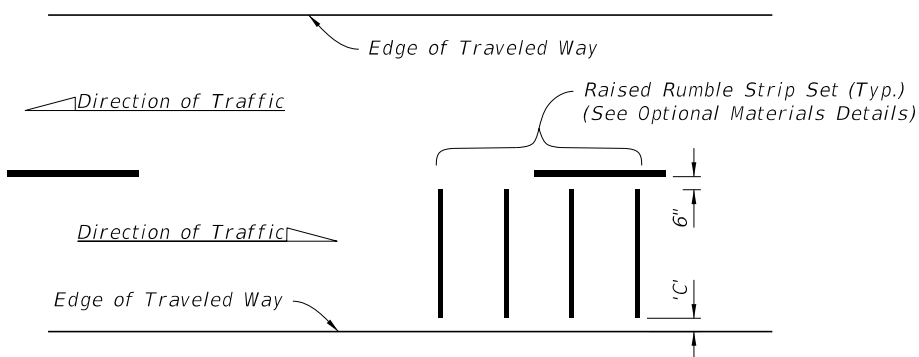
Posted Speed (mph)	'L' (Feet)
≤ 30	150
35	200
40	250
45	300
50	350
55	410
60	470
65	550



OPTION P1 - ASPHALT SET



OPTION P2 - PREFORMED THERMOPLASTIC SET



'C' = 6" For Roadways With Paved Shoulders
'C' = 1.5' For Roadways Without Paved Shoulders

DETAIL "A"

OPTIONAL MATERIALS DETAILS

NOTES:

1. Construct permanent raised rumble strips where shown in the Plans and in accordance with Specification 546.
2. Use color white for preformed thermoplastic rumble strips.

PERMANENT RAISED RUMBLE STRIPS

10/3/2023 1:49:34 PM

LAST REVISION 11/01/23	DESCRIPTION:
---------------------------	--------------

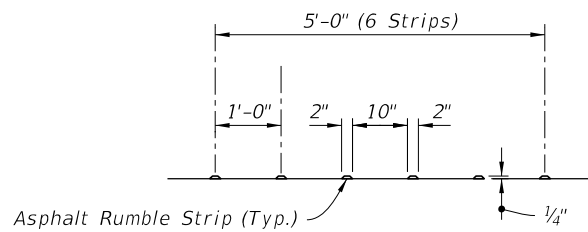


FY 2024-25
STANDARD PLANS

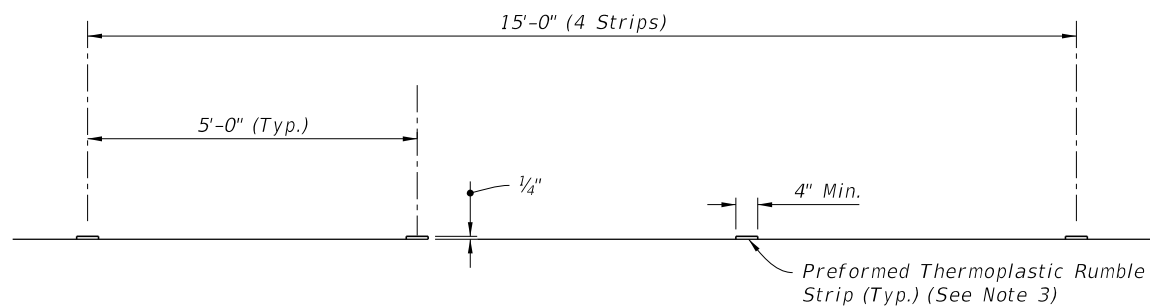
RAISED RUMBLE STRIPS

INDEX
546-001

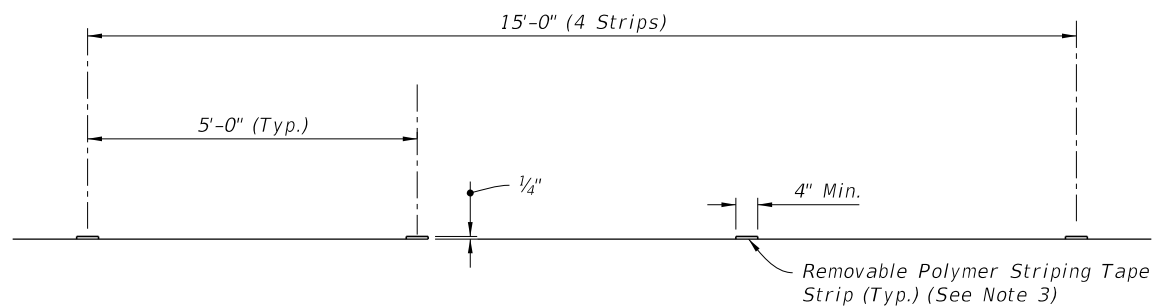
SHEET
1 of 2



OPTION ST1 - ASPHALT SET



OPTION ST2 - PREFORMED THERMOPLASTIC SET



OPTION ST3 - REMOVABLE POLYMER STRIPING TAPE SET


OPTIONAL MATERIALS DETAILS

NOTES:

1. Construct short-term raised rumble strips where noted in the Plans and in accordance with Specification 546.
2. See Sheet 1 for placement and additional details.
3. Use color white for Preformed Thermoplastic and Removable Polymer Striping Tape Sets.

SHORT-TERM RAISED RUMBLE STRIPS

10/3/2023 1:49:41 PM

LAST REVISION 04/23/18	REVISION	DESCRIPTION:	 FY 2024-25 STANDARD PLANS	RAISED RUMBLE STRIPS	INDEX 546-001	SHEET 2 of 2
---------------------------	----------	--------------	---	----------------------	------------------	-----------------