
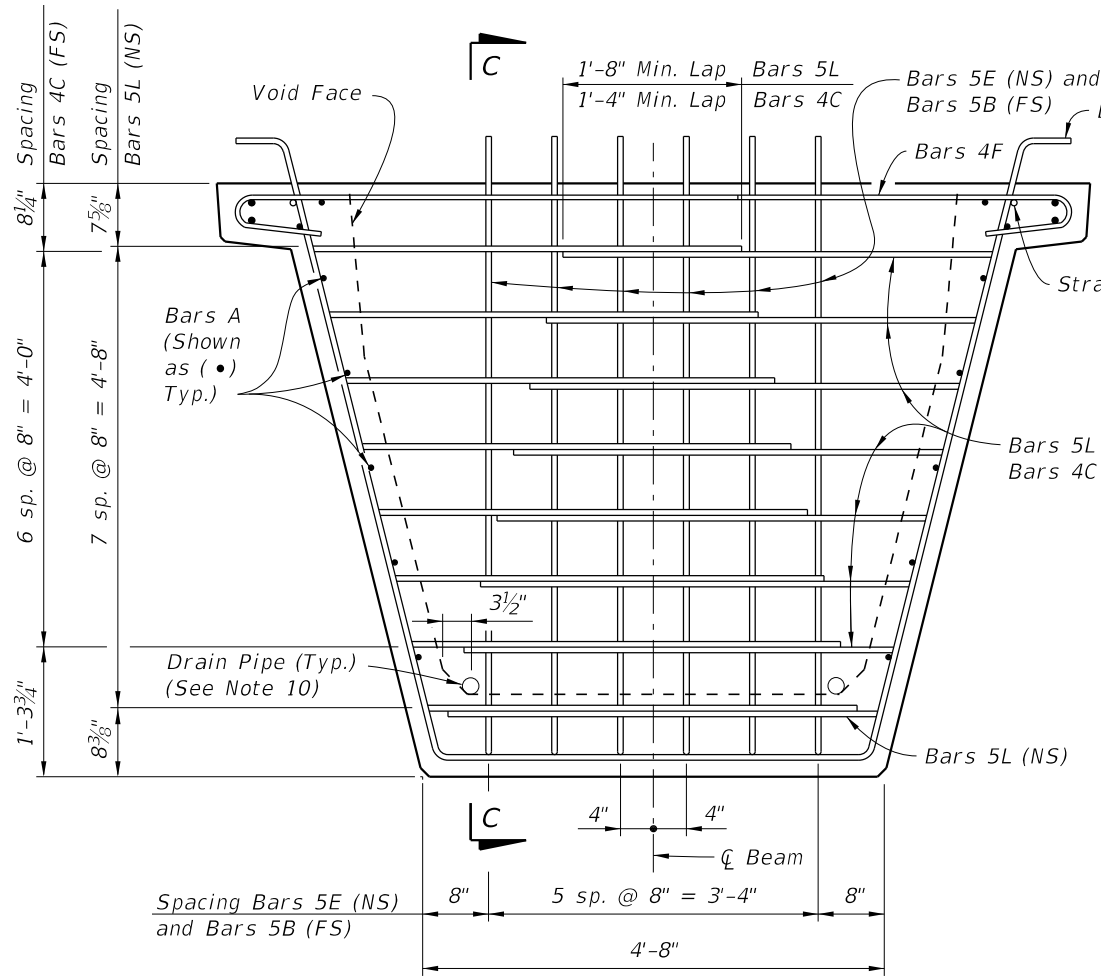
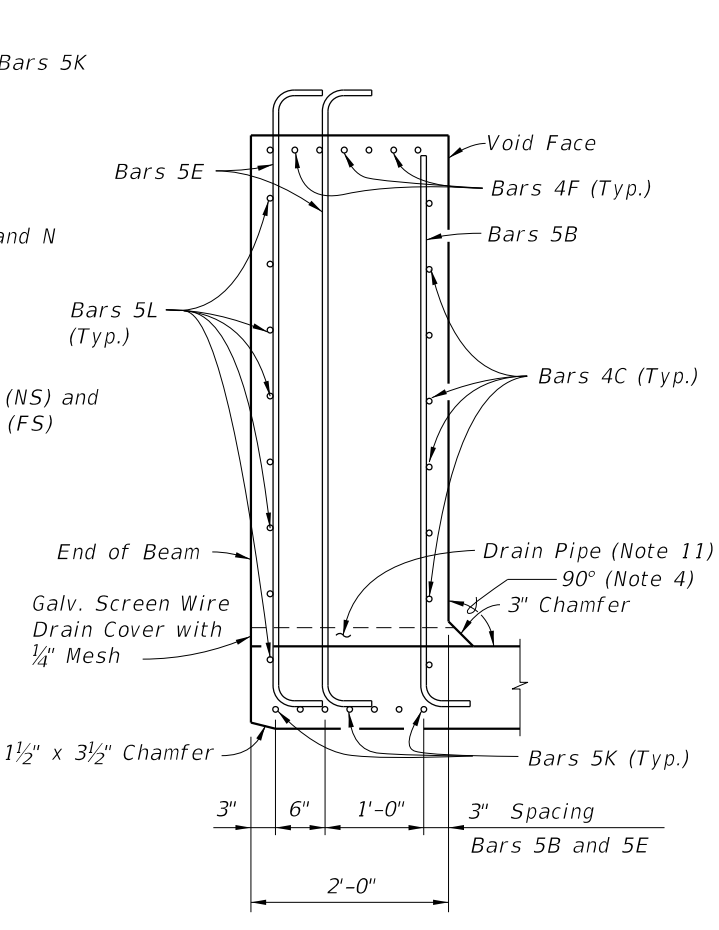


LAST REVISION 11/01/16	DESCRIPTION:	 FY 2024-25 STANDARD PLANS	FLORIDA-U 72 BEAM - STANDARD DETAILS	INDEX 450-272	SHEET 1 of 3
---------------------------	--------------	--	--------------------------------------	------------------	-----------------

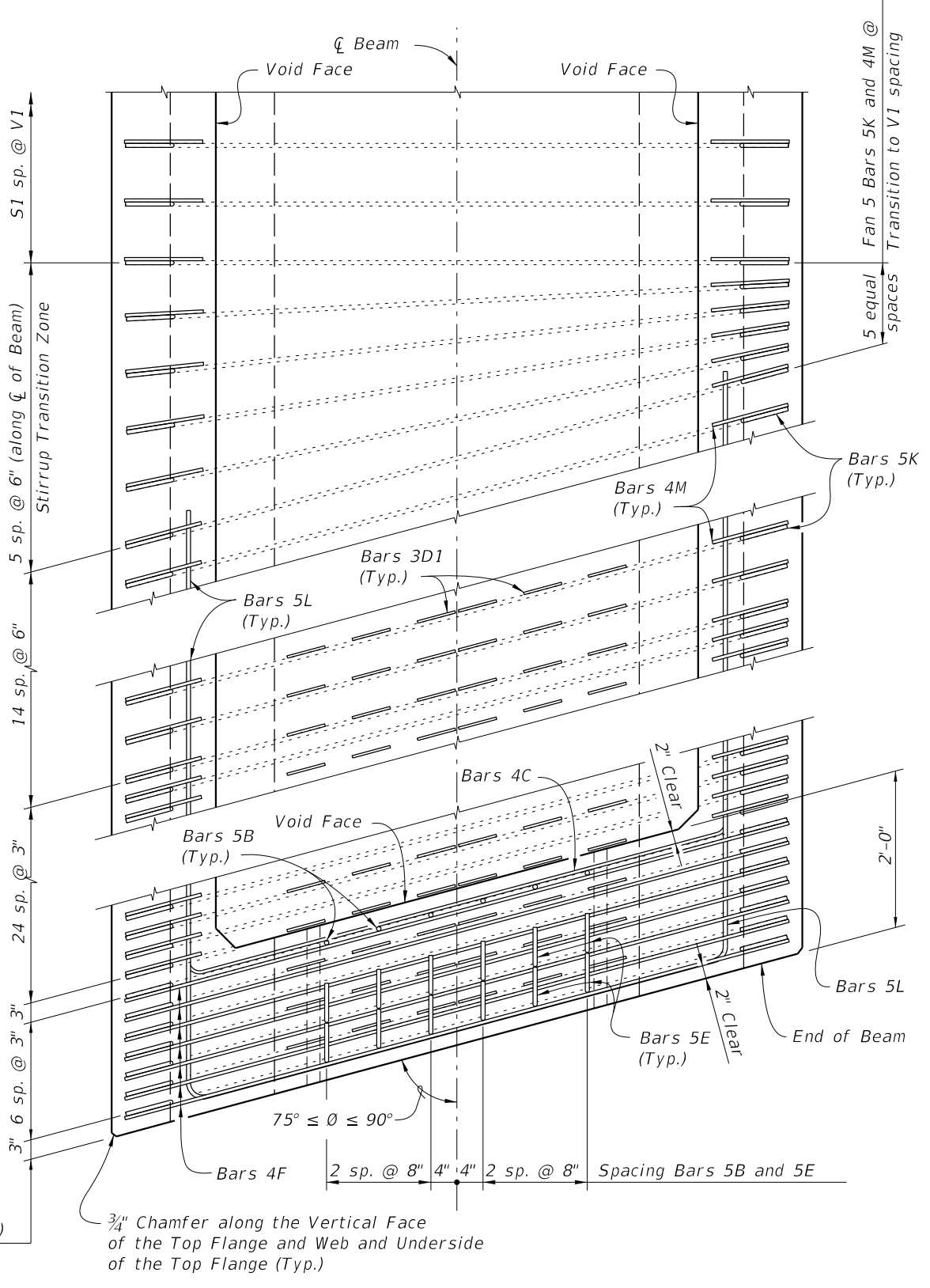
10/15/2023 11:37:22 AM



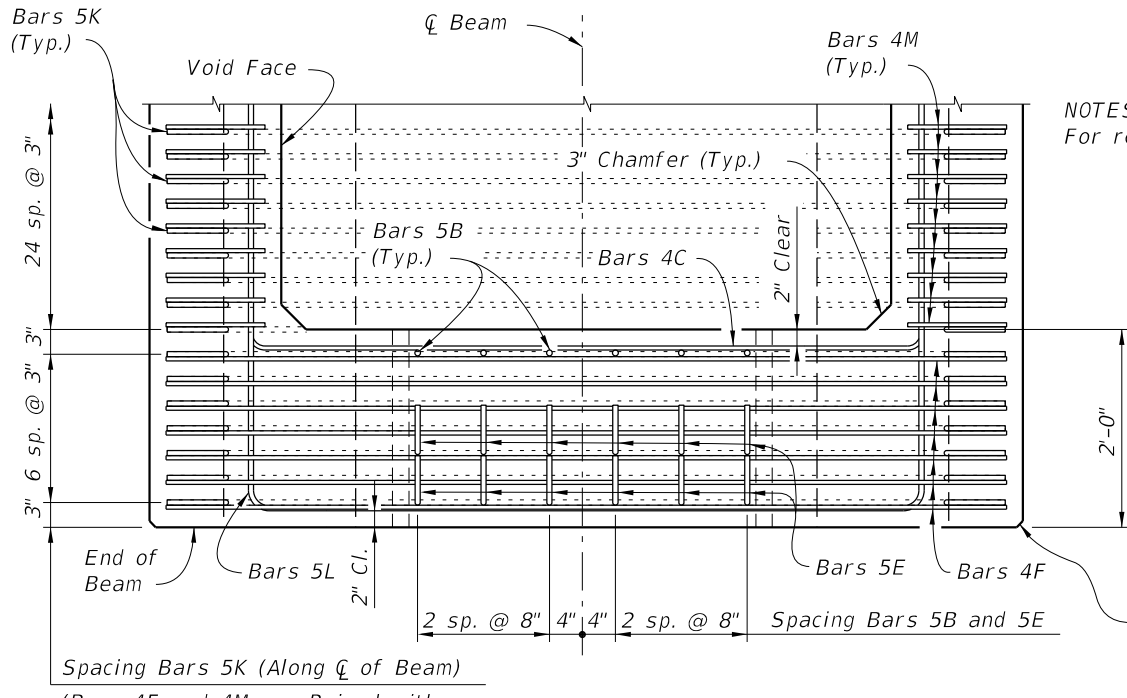
END VIEW AT END DIAPHRAGM



SECTION C-C



TOP VIEW OF SKEWED END DIAPHRAGM AND STIRRUP TRANSITION ZONE (Bars 3D2 Not Shown For Clarity)



TOP VIEW OF END DIAPHRAGM (Bars 3D1 And 3D2 Not Shown For Clarity)

NOTES:  
For referenced notes see Index 450-210.

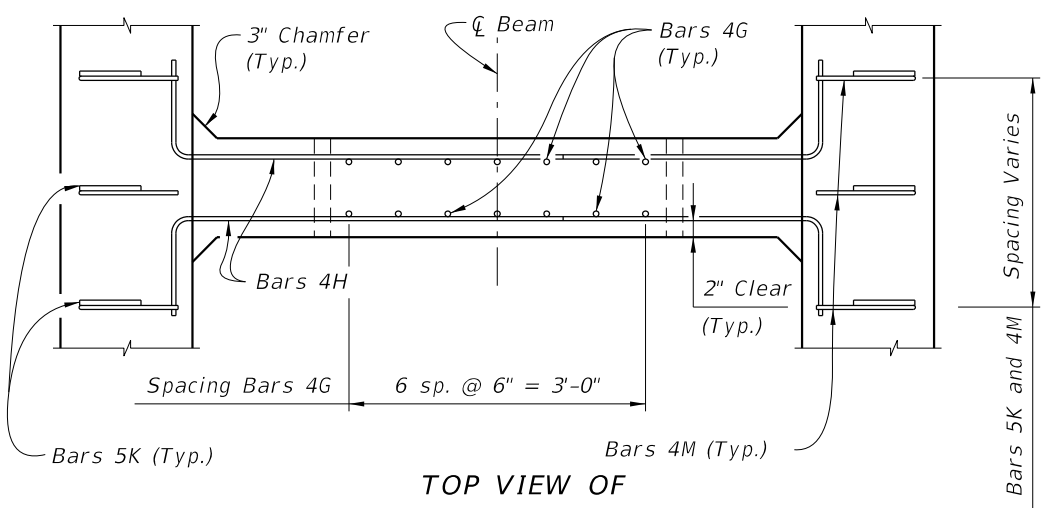
Spacing Bars 5K (Along  $\phi$  of Beam)  
(Bars 4F and 4M are Paired with Bars 5K as shown)

$\frac{3}{4}$ " Chamfer along the Vertical Face of the Top Flange and Web and Underside of the Top Flange (Typ.)

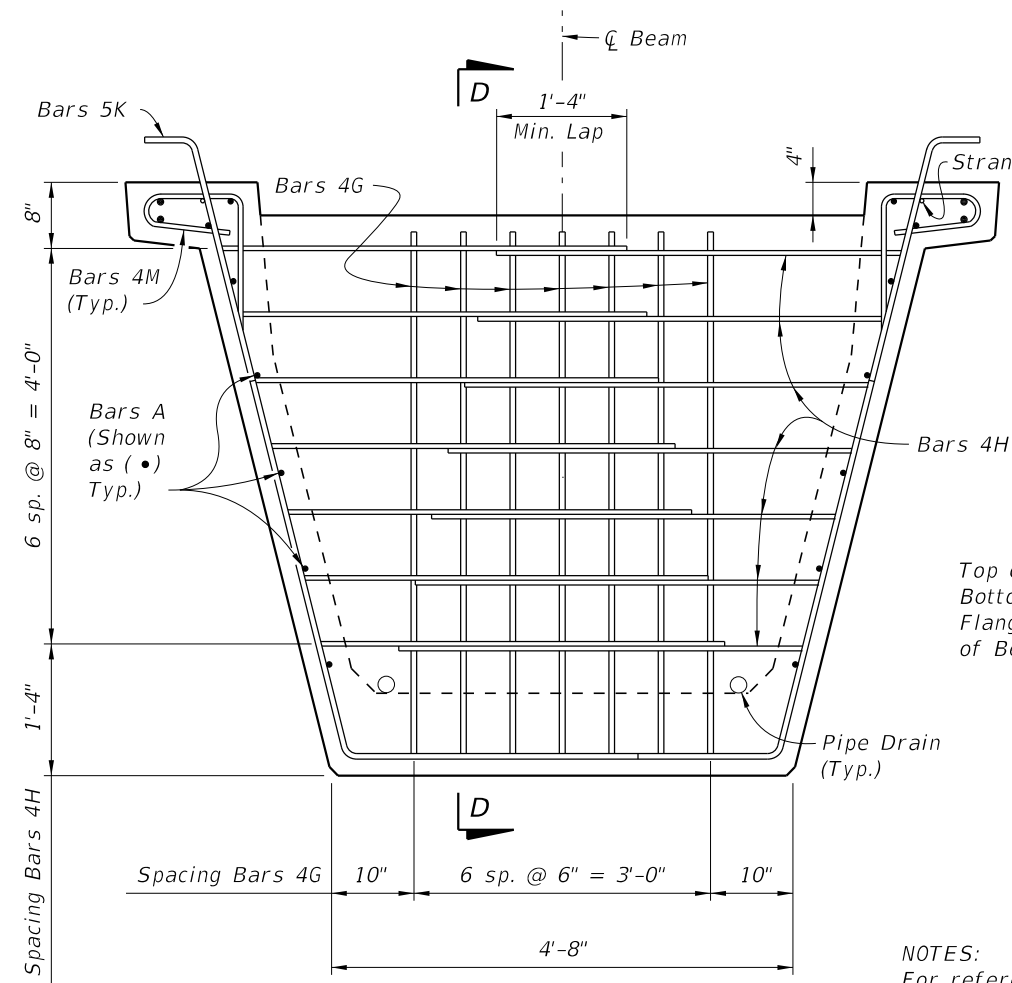
$\frac{3}{4}$ " Chamfer along the Vertical Face of the Top Flange and Web and Underside of the Top Flange (Typ.)

10/15/2023 11:37:30 AM

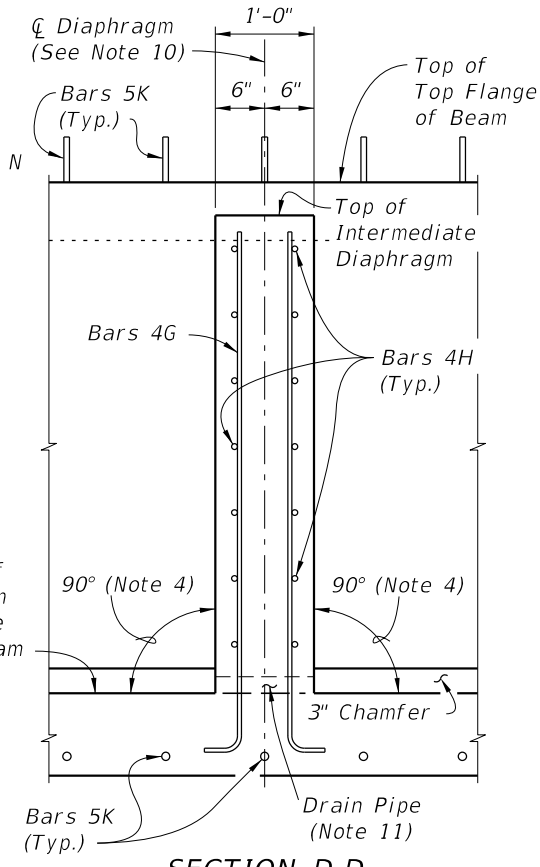
LAST REVISION 11/01/16	REVISION	DESCRIPTION:		FY 2024-25 STANDARD PLANS	FLORIDA-U 72 BEAM - STANDARD DETAILS	INDEX 450-272	SHEET 2 of 3
---------------------------	----------	--------------	--	------------------------------	--------------------------------------	------------------	-----------------



TOP VIEW OF INTERMEDIATE DIAPHRAGM



SECTION AT INTERMEDIATE DIAPHRAGM



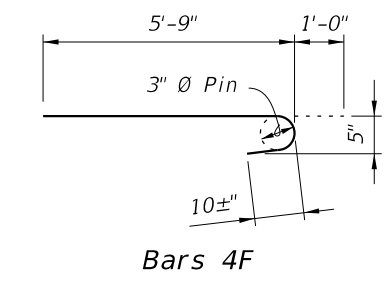
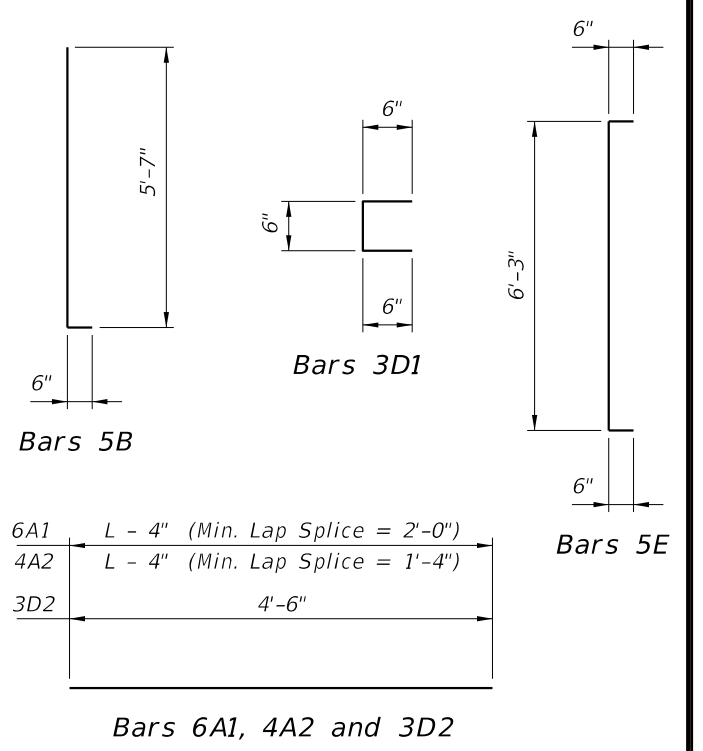
SECTION D-D

NOTES:  
For referenced notes see Index 450-210.

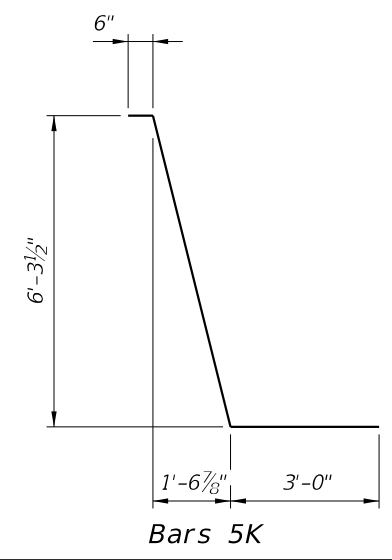
CONVENTIONAL REINFORCING STEEL BENDING DIAGRAMS

BILL OF REINFORCING STEEL FOR ONE BEAM ONLY

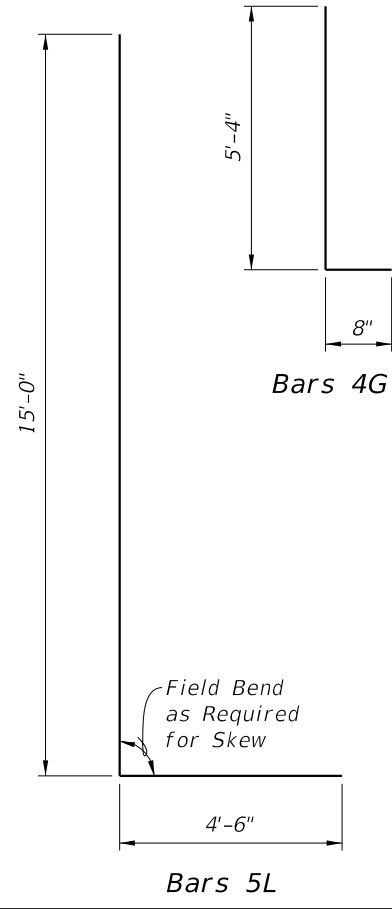
MARK	SIZE	NO. REQD.	LENGTH
A1	6	4	Dim. L - 4"
A2	4	14	Dim. L - 4"
B	5	12	6'-1"
C	4	28	5'-7"
D1	3	228	1'-6"
D2	3	38	4'-6"
E	5	24	7'-3"
F	4	28	6'-9"
G	4	See Table	6'-0"
H	4	See Table	5'-1"
K	5	See Table	10'-0"
L	5	32	19'-6"
M	4	See Table	3'-11"
N	3/8" Ø Strand	2	Dim. L - 3"



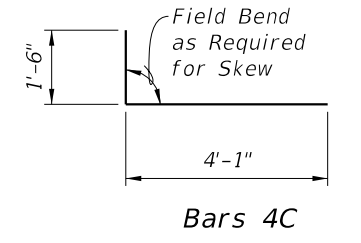
Bars 4F



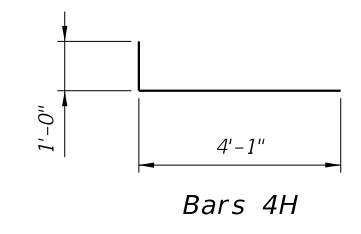
Bars 5K



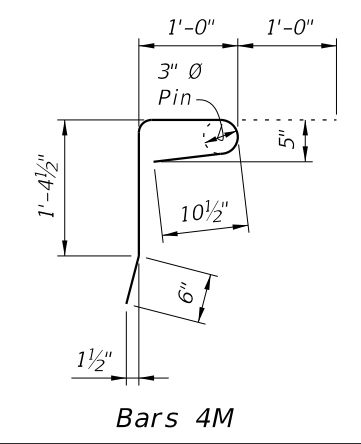
Bars 5L



Bars 4C



Bars 4H



Bars 4M

10/15/2023 11:37:37 AM