

Safety Line Anchorage Device (Typ.) (See Note 9)

3/4" Chamfer (Typ. bottom of top flange only)

* Reinforcing steel is symmetrical about \bar{C} Beam for Half Sections A-A and B-B.

Bars 3D1 lap with Bars 3D2 and 5K as shown (Typ.)

1 1/2" Chamfer (Typ. bottom of bottom flange only)

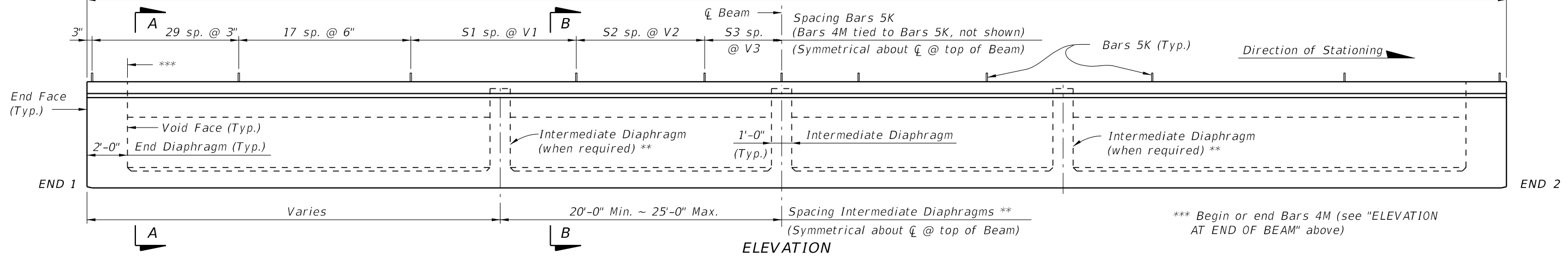
** Intermediate Diaphragms shall be provided:
 (1) - At midspan.
 (2) - At 25'-0" Max. from midspan when beam length (L) exceeds 70 Ft.

NOTES:
 Work this Index with Index 450-210 - Typical Florida-U Beam Details and Notes and the Florida-U Beam - Table of Beam Variables in Structures Plans.
 For referenced notes see Index 450-210.

TYPICAL SECTION

ELEVATION AT END OF BEAM

Dim. L = Casting Length (Overall Length of Beam along \bar{C} Beam including length increase as required for beam placed on grade and DIM R to compensate for elastic and time dependent shortening effects)

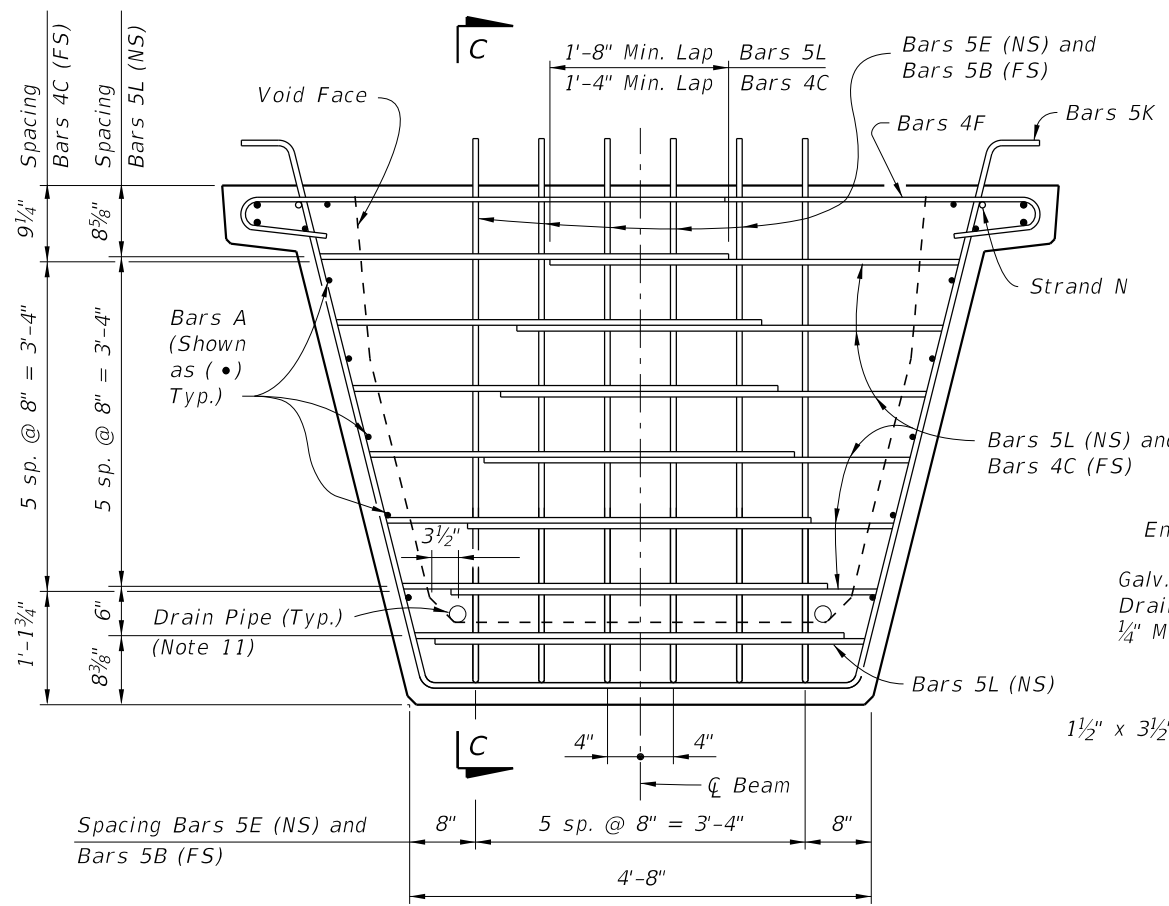


ELEVATION

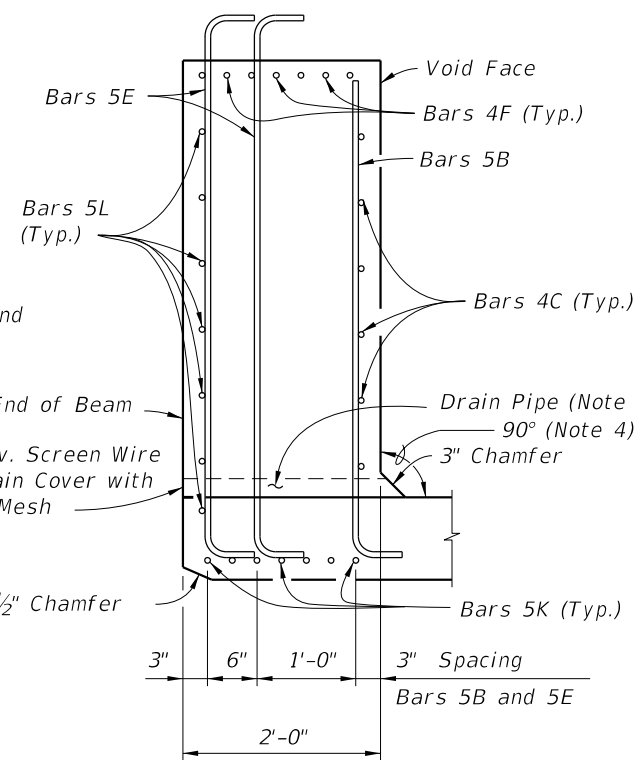
*** Begin or end Bars 4M (see "ELEVATION AT END OF BEAM" above)

10/15/2023 11:36:28 AM

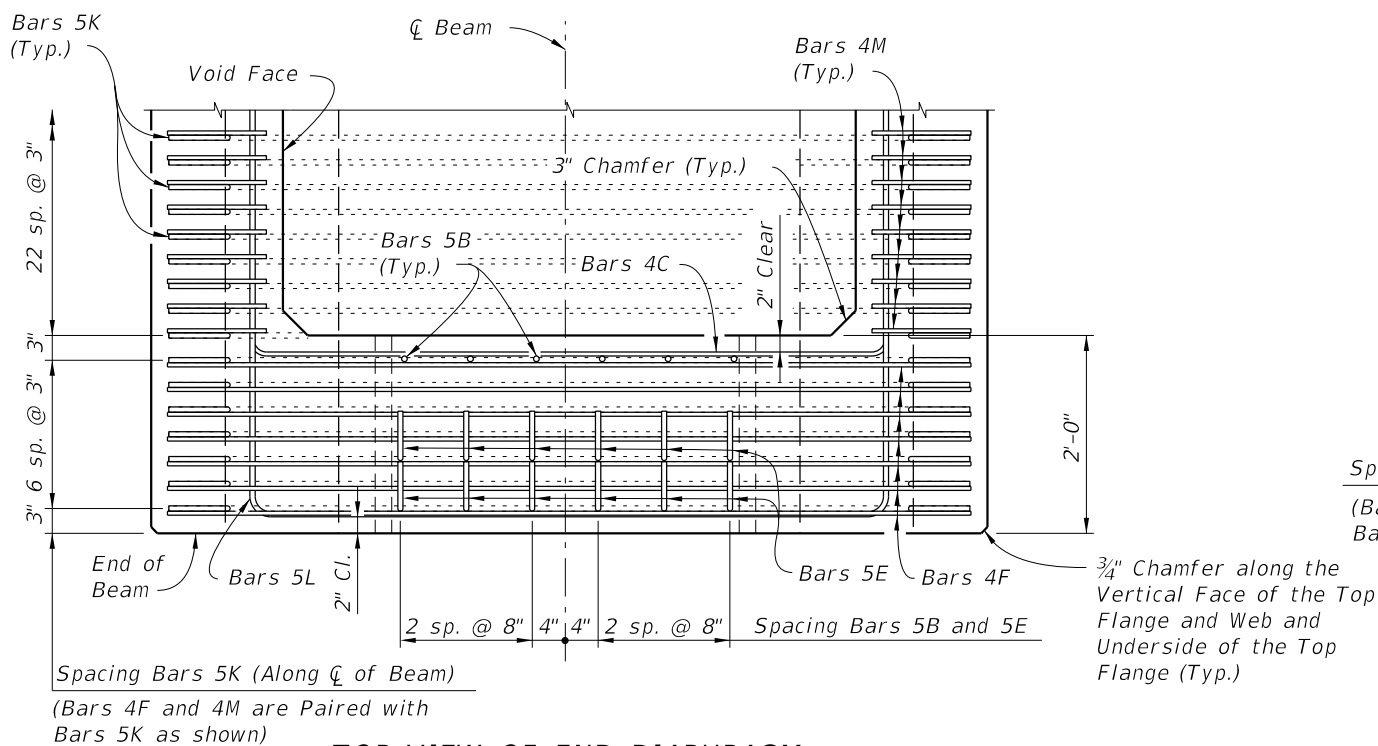
LAST REVISION 11/01/16	DESCRIPTION:		FY 2024-25 STANDARD PLANS	FLORIDA-U 63 BEAM - STANDARD DETAILS	INDEX 450-263	SHEET 1 of 3
---------------------------	--------------	--	------------------------------	--------------------------------------	------------------	-----------------



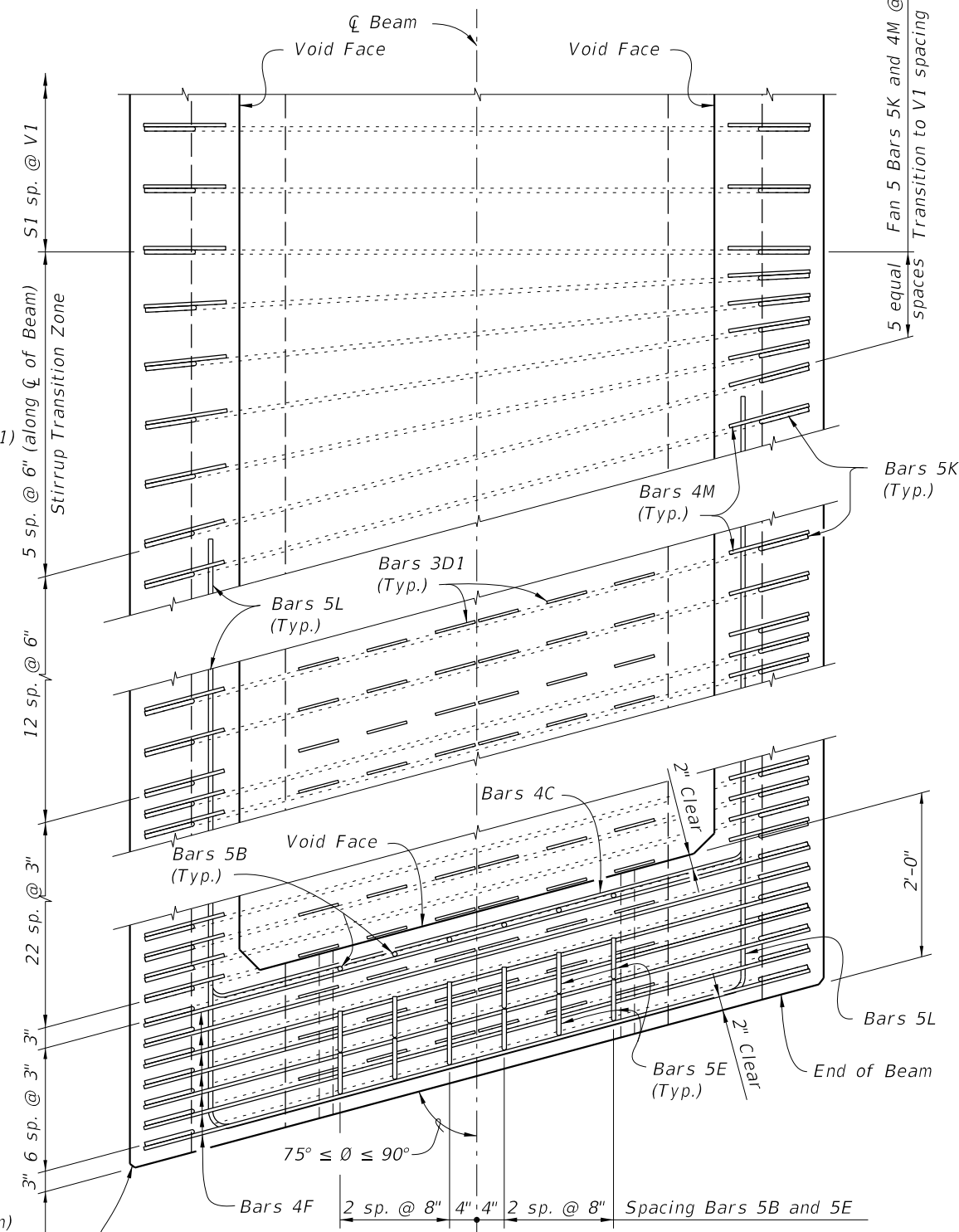
END VIEW AT END DIAPHRAGM



SECTION C-C



TOP VIEW OF END DIAPHRAGM
(Bars 3D1 And 3D2 Not Shown For Clarity)




TOP VIEW OF SKEWED END DIAPHRAGM
AND STIRRUP TRANSITION ZONE
(Bars 3D2 Not Shown For Clarity)

Spacing Bars 5K (Along ϕ of Beam)
(Bars 4F and 4M are Paired with Bars 5K as shown)

3/4" Chamfer along the Vertical Face of the Top Flange and Web and Underside of the Top Flange (Typ.)

NOTES:
For referenced note see Index 450-210.

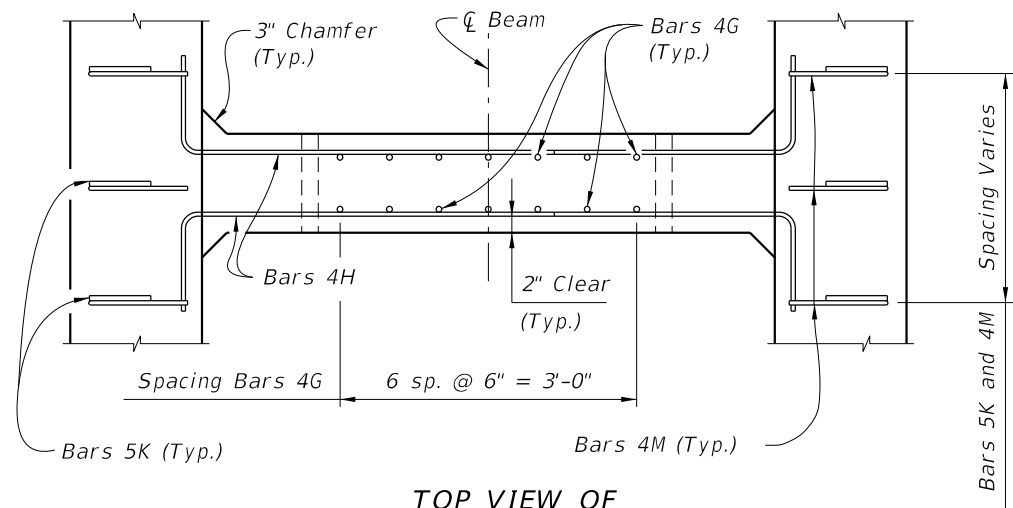
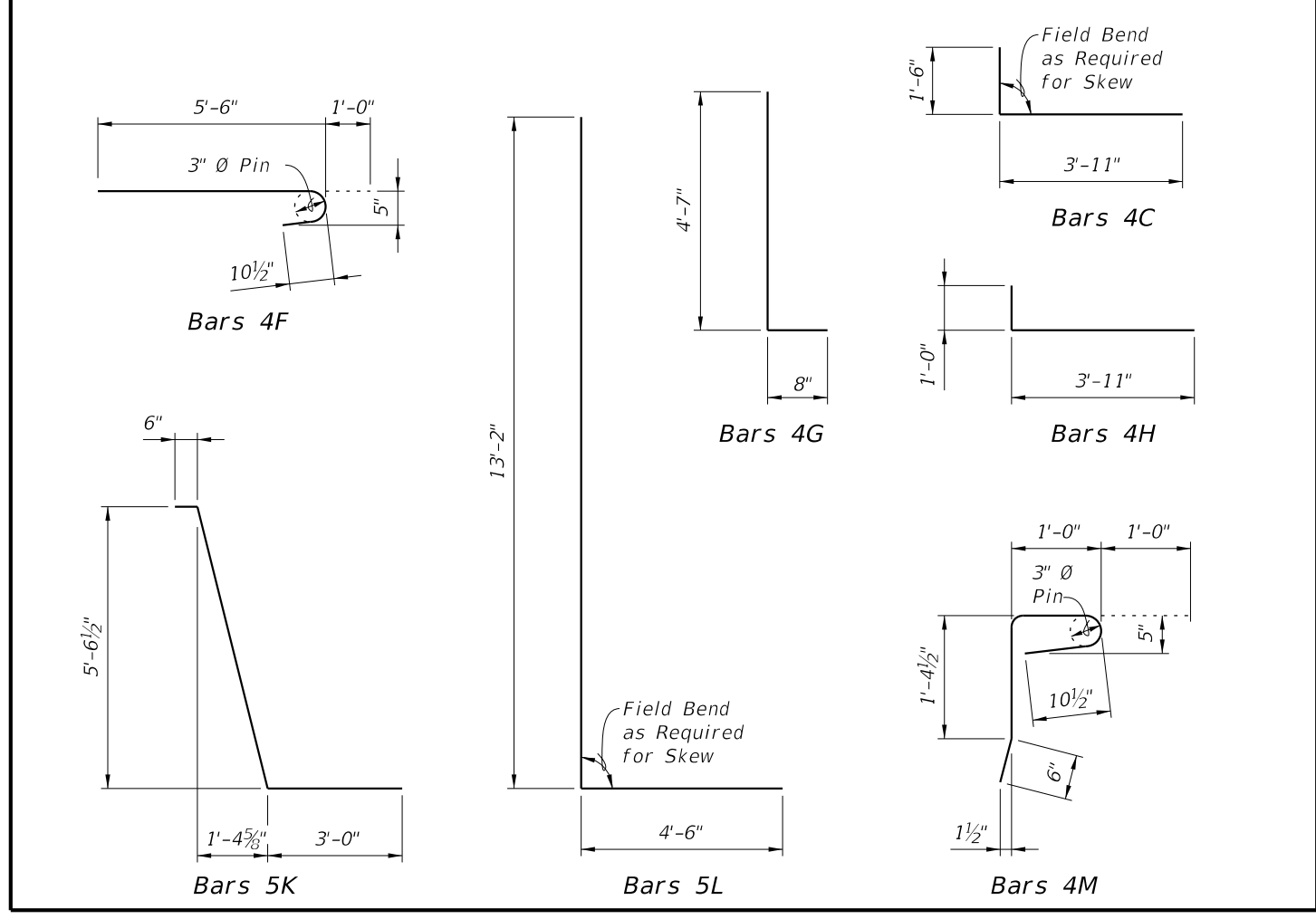
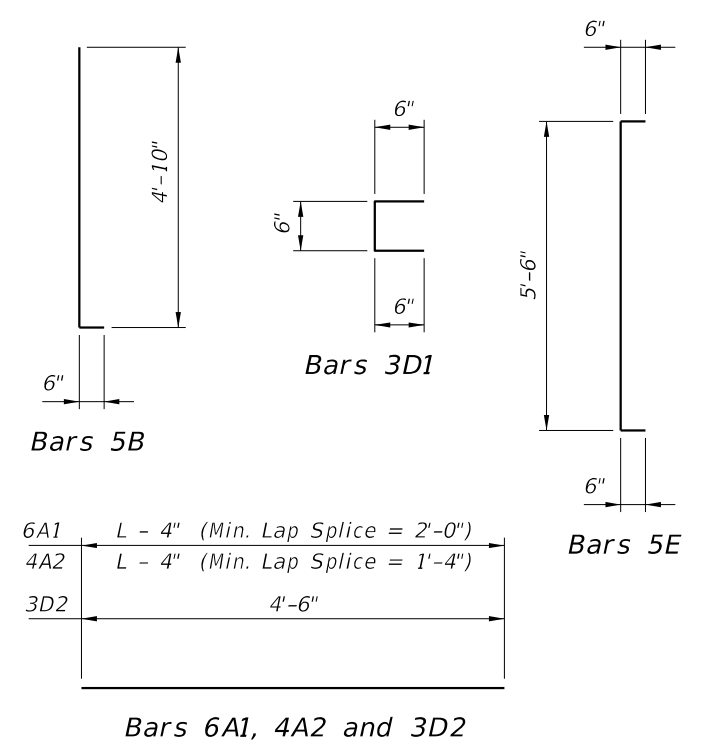
10/15/2023 11:36:36 AM

LAST REVISION 11/01/16	DESCRIPTION:	 FY 2024-25 STANDARD PLANS	FLORIDA-U 63 BEAM - STANDARD DETAILS	INDEX 450-263	SHEET 2 of 3
---------------------------	--------------	--	--------------------------------------	------------------	-----------------

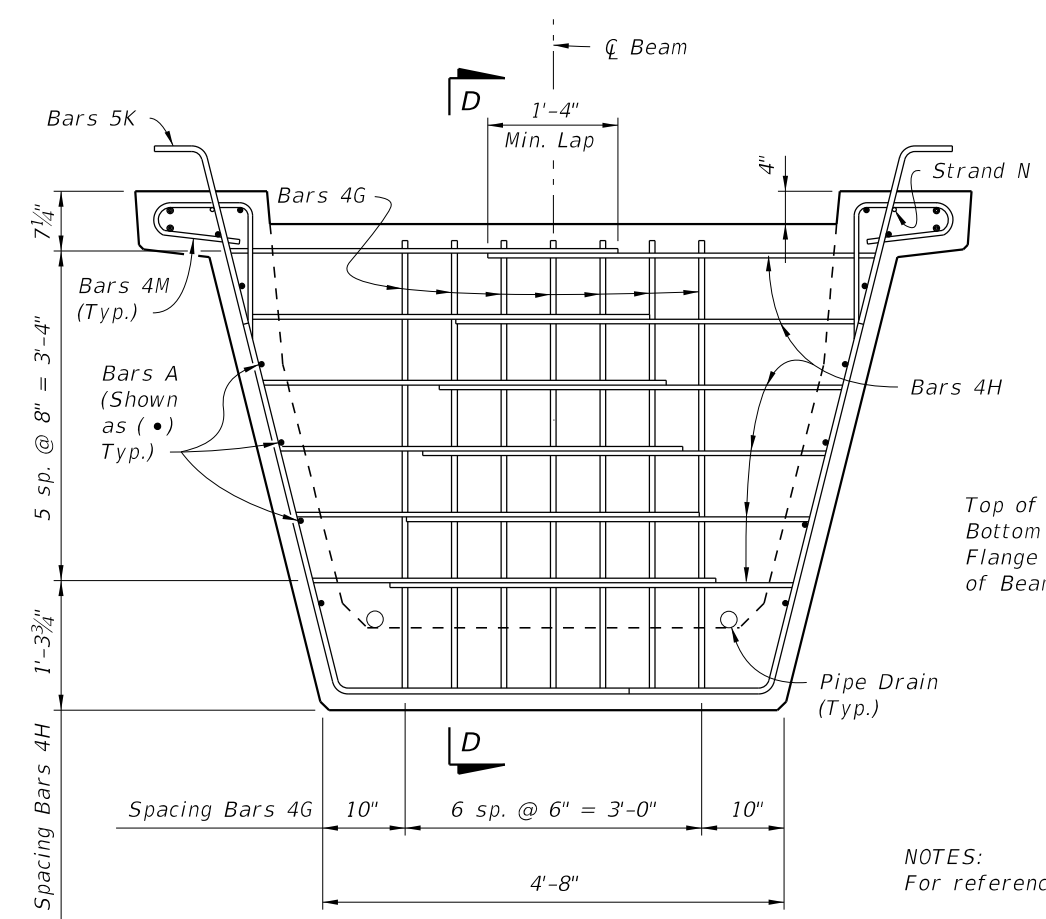
CONVENTIONAL REINFORCING STEEL BENDING DIAGRAMS

BILL OF REINFORCING STEEL FOR ONE BEAM ONLY

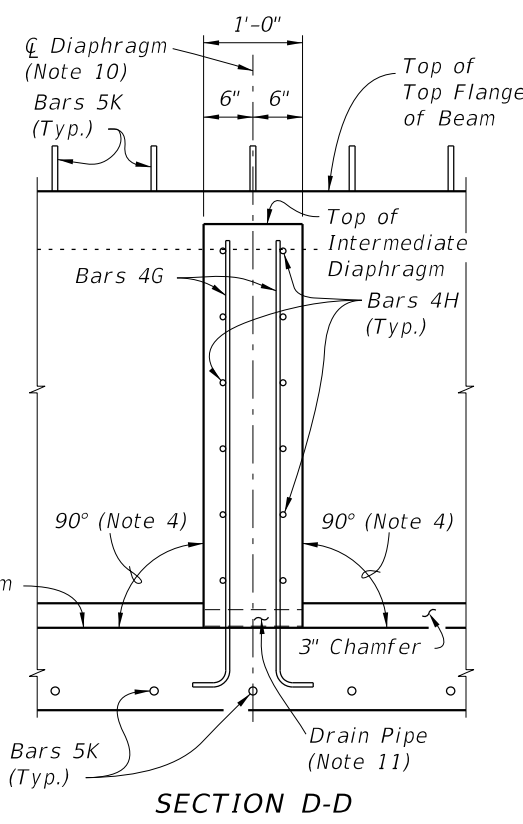
MARK	SIZE	NO. REQD.	LENGTH
A1	6	4	Dim. L - 4"
A2	4	12	Dim. L - 4"
B	5	12	5'-4"
C	4	24	5'-5"
D1	3	204	1'-6"
D2	3	34	4'-6"
E	5	24	6'-6"
F	4	28	6'-6"
G	4	See Table	5'-3"
H	4	See Table	4'-11"
K	5	See Table	9'-2½"
L	5	28	17'-8"
M	4	See Table	3'-11"
N	¾" Ø Strand	2	Dim. L - 3"



TOP VIEW OF INTERMEDIATE DIAPHRAGM



SECTION AT INTERMEDIATE DIAPHRAGM



SECTION D-D

NOTES:
For referenced notes see Index 450-210.

10/15/2023 11:36:44 AM