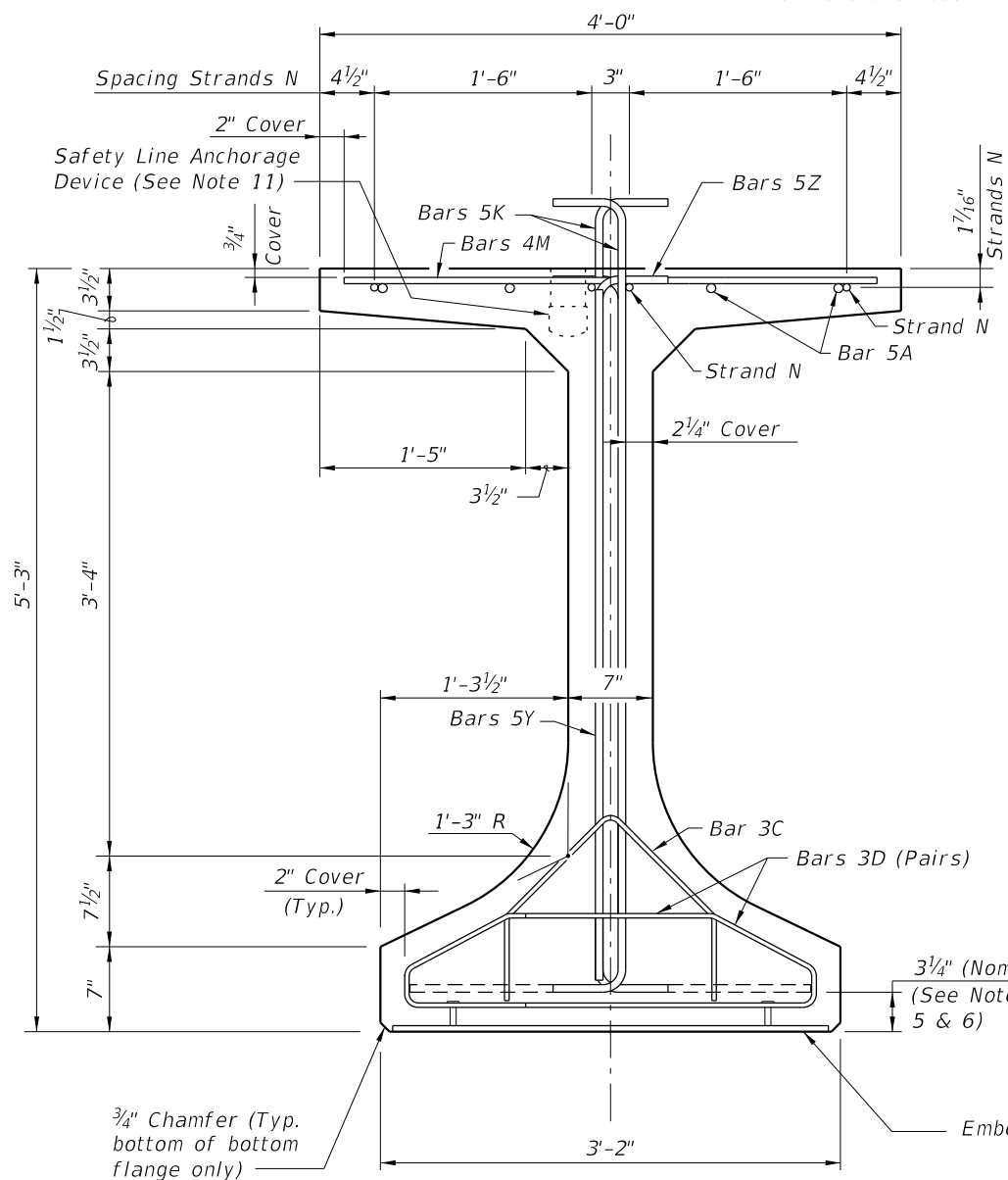
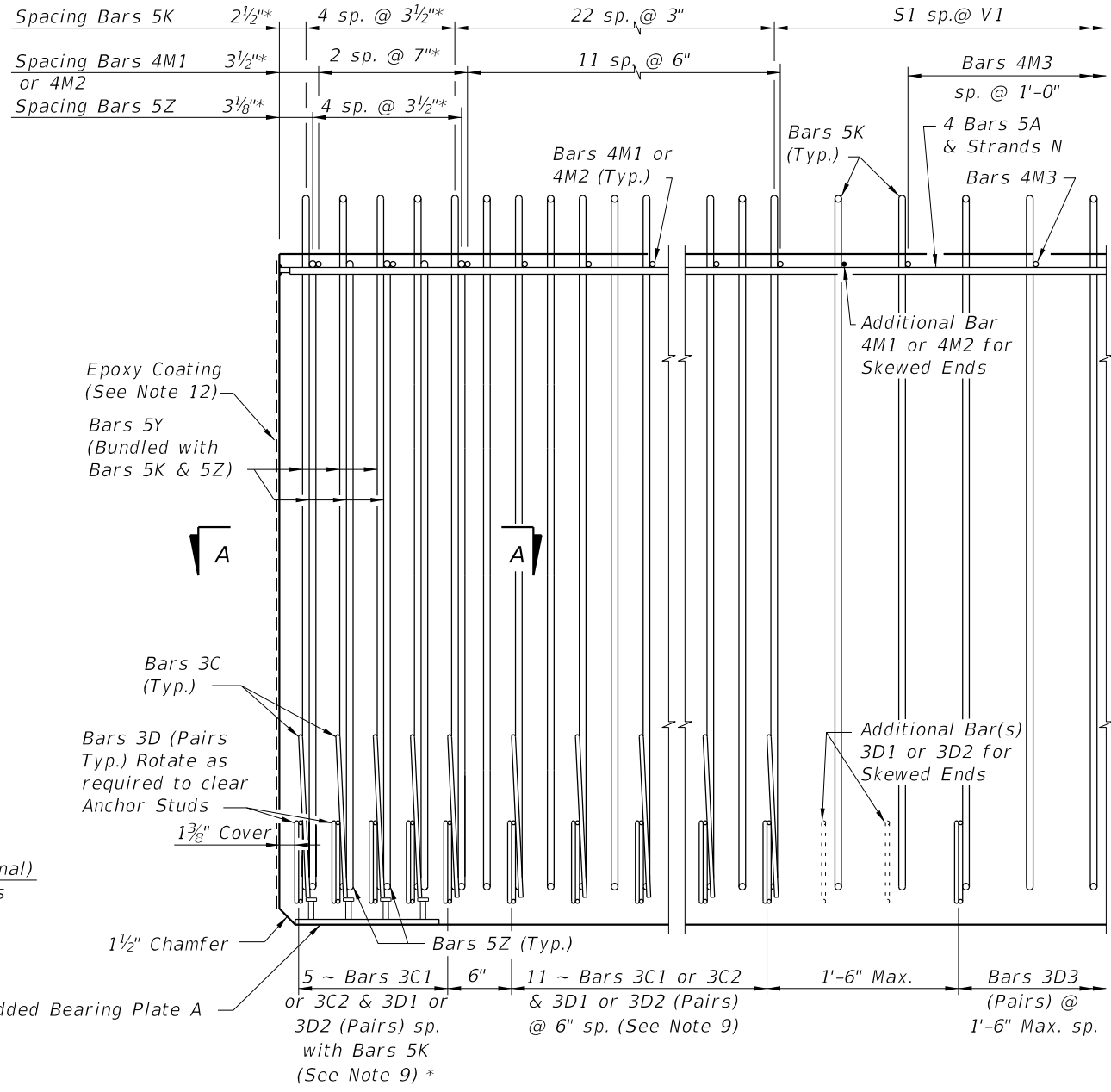


\* These dimensions are measured perpendicular to the end of beam



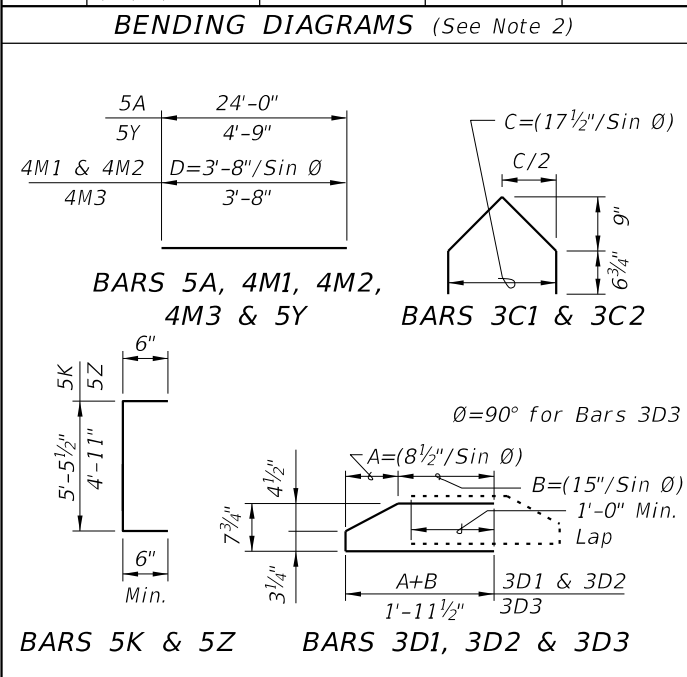
END VIEW



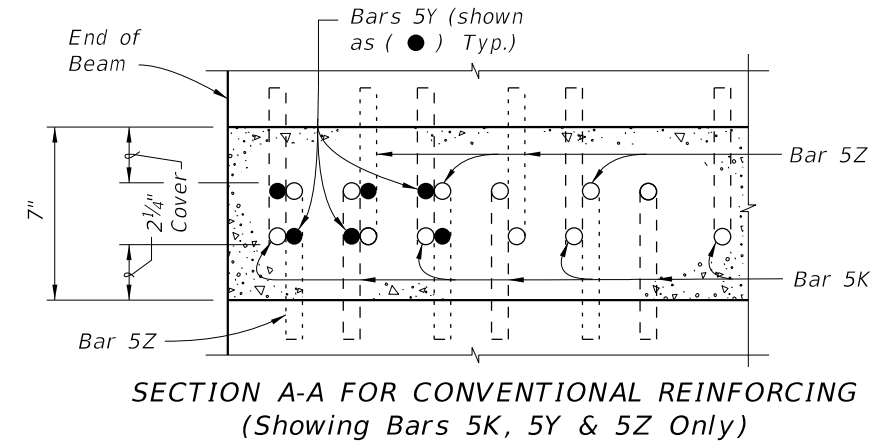
ELEVATION AT END OF BEAM  
(Flanges Not Shown For Clarity)  
(End 1 Shown, End 2 Similar)

CONVENTIONAL REINFORCING  
BAR BENDING DETAILS

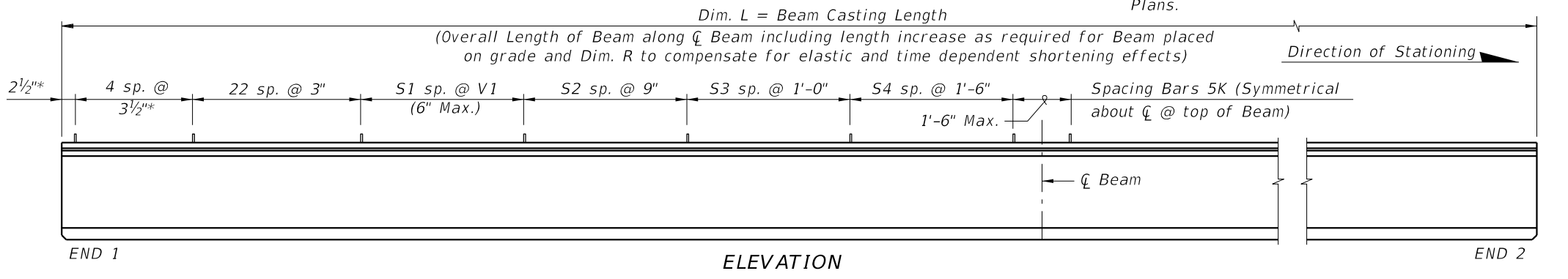
| BILL OF REINFORCING STEEL |                 |               |                 |                 |
|---------------------------|-----------------|---------------|-----------------|-----------------|
| MARK                      | NOTE NUMBERS    | SIZE          | NUMBER REQUIRED | LENGTH (NOTE 2) |
| A                         | —               | 5             | 8               | 24'-0"          |
| C1                        | 7, 8 & 9        | 3             | 16 (End 1)      | Varies          |
| C2                        | 7, 8 & 9        | 3             | 16 (End 2)      | Varies          |
| D1                        | 7, 8, 9 & 10    | 3             | 32 (End 1)      | Varies          |
| D2                        | 7, 8, 9 & 10    | 3             | 32 (End 2)      | Varies          |
| D3                        | 9 & 10          | 3             | See Table       | 4'-3"           |
| K                         | 5, 6, 8, 9 & 10 | 5             | See Table       | 6'-5"           |
| M1                        | 7 & 9           | 4             | 14 (End 1)      | Varies          |
| M2                        | 7 & 9           | 4             | 14 (End 2)      | Varies          |
| M3                        | 9               | 4             | See Table       | 3'-8"           |
| N                         | 4 & 12          | 3/8" Ø Strand | 4               | Dim. L          |
| Y                         | 8 & 9           | 5             | 12              | 4'-9"           |
| Z                         | 5, 6, 8, 9 & 10 | 5             | 10              | 5'-11"          |



NOTES:  
A. Work this Index with Index 450-010 - Typical Florida-I Beam Details and Notes and the Florida-I Beam - Table of Beam Variables in Structures Plans.  
B. For referenced notes, see Index 450-010.  
C. For Dimensions A, B, C, D, L, R & V1 and number of spaces S1 thru S4, see Florida-I Beam - Table of Beam Variables in Structures Plans.



SECTION A-A FOR CONVENTIONAL REINFORCING  
(Showing Bars 5K, 5Y & 5Z Only)

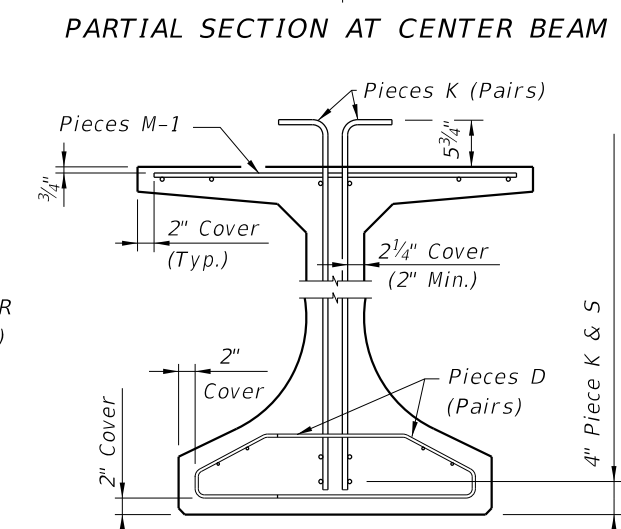
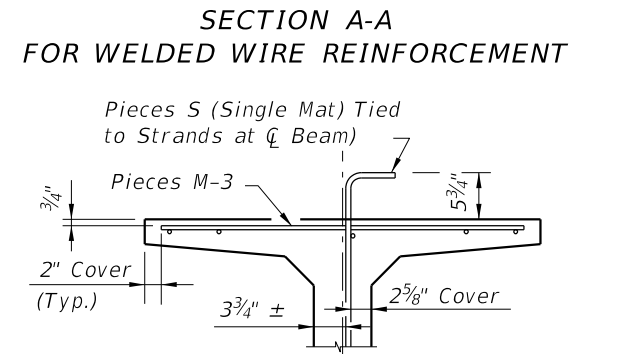
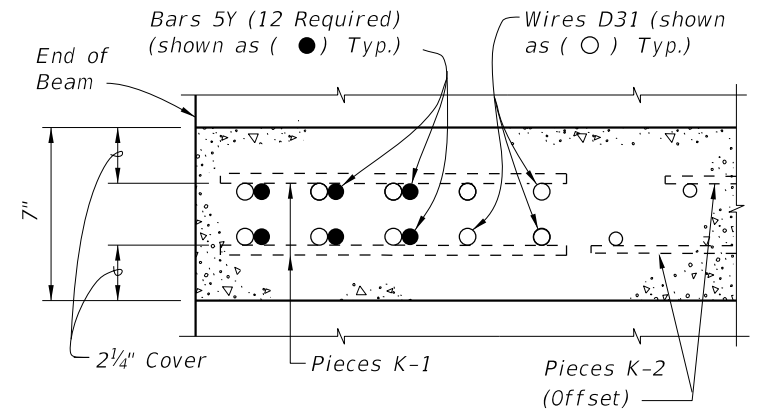
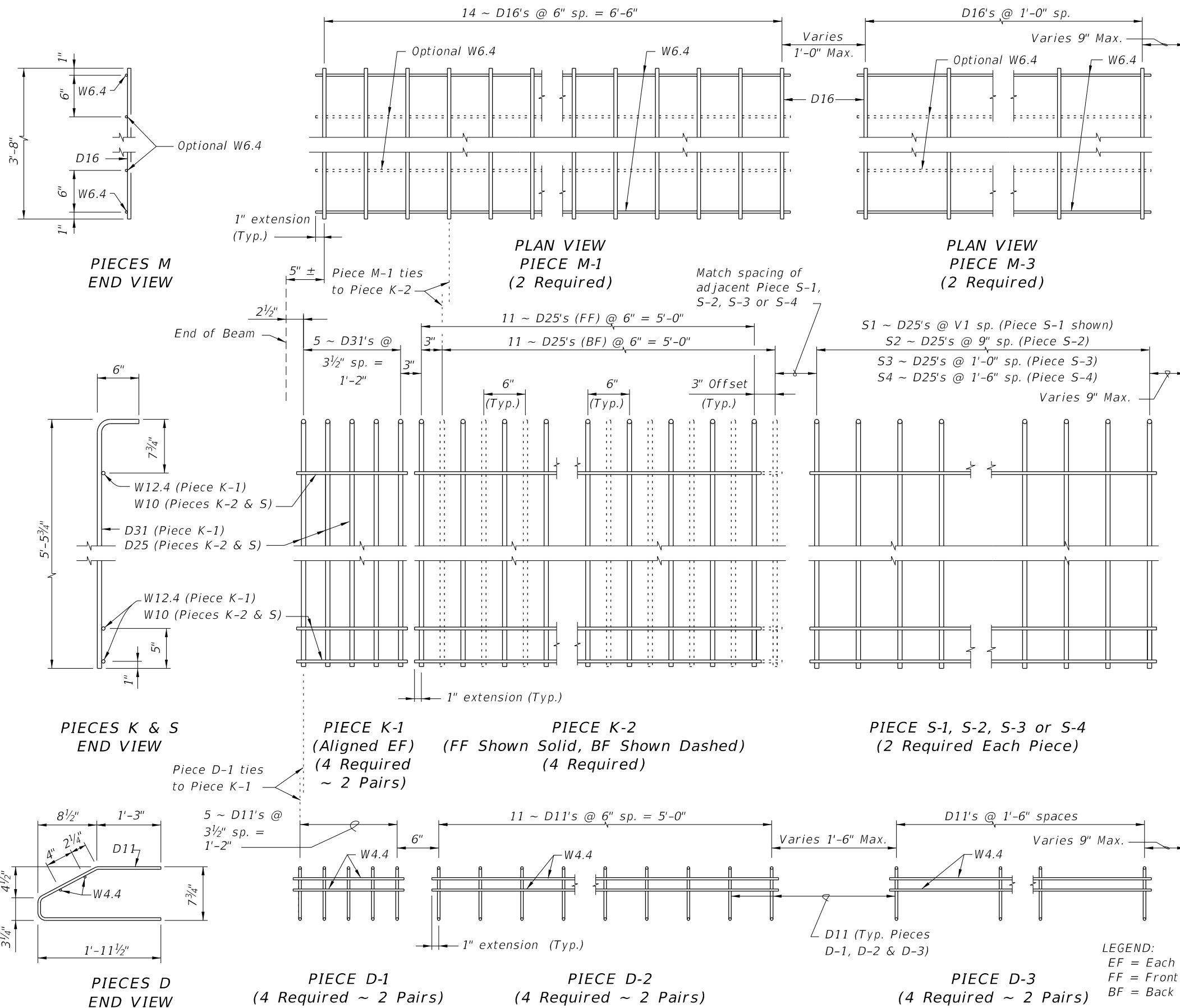


ELEVATION

10/15/2023 11:28:03 AM

|                           |              |
|---------------------------|--------------|
| LAST REVISION<br>11/01/19 | DESCRIPTION: |
|---------------------------|--------------|

ALTERNATE REINFORCING STEEL (WWR) DETAILS



**NOTES:**

- See Sheet 1 for placement details & Table of Beam Variables in Structures Plans for variables S1, S2, S3, S4 & V1.
- Place Conventional Reinforcing Bars 5A & 3C as shown on Sheet 1. Place additional Bars 5Y as shown in Section A-A for WWR. Bars 5Z will not be used with the WWR Option.
- Pieces may be fabricated in multiple length sections.
- For beams with skewed end conditions, Pieces D-1, D-2 & M-1 shall not be used; Conventional Reinforcing Bars D1, D2, C1, C2, M1 & M2 shall be used. See Index 450-010 Skewed Beam End Details and Note 9 for placement details. Shift Pieces K & Bars 5Y to accommodate skewed end conditions and align with Bars C and D.

**LEGEND:**  
 EF = Each Face  
 FF = Front Face  
 BF = Back Face

10/15/2023 11:28:11 AM

|                           |              |  |                              |                                      |                  |                 |
|---------------------------|--------------|--|------------------------------|--------------------------------------|------------------|-----------------|
| LAST REVISION<br>11/01/16 | DESCRIPTION: |  | FY 2024-25<br>STANDARD PLANS | FLORIDA-I 63 BEAM - STANDARD DETAILS | INDEX<br>450-063 | SHEET<br>2 of 2 |
|---------------------------|--------------|--|------------------------------|--------------------------------------|------------------|-----------------|