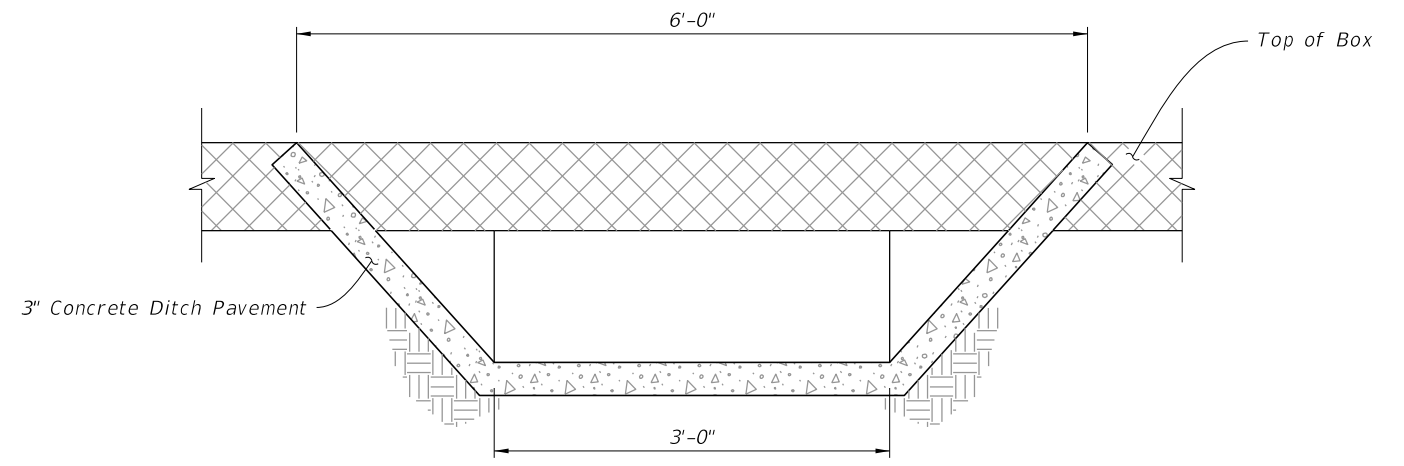
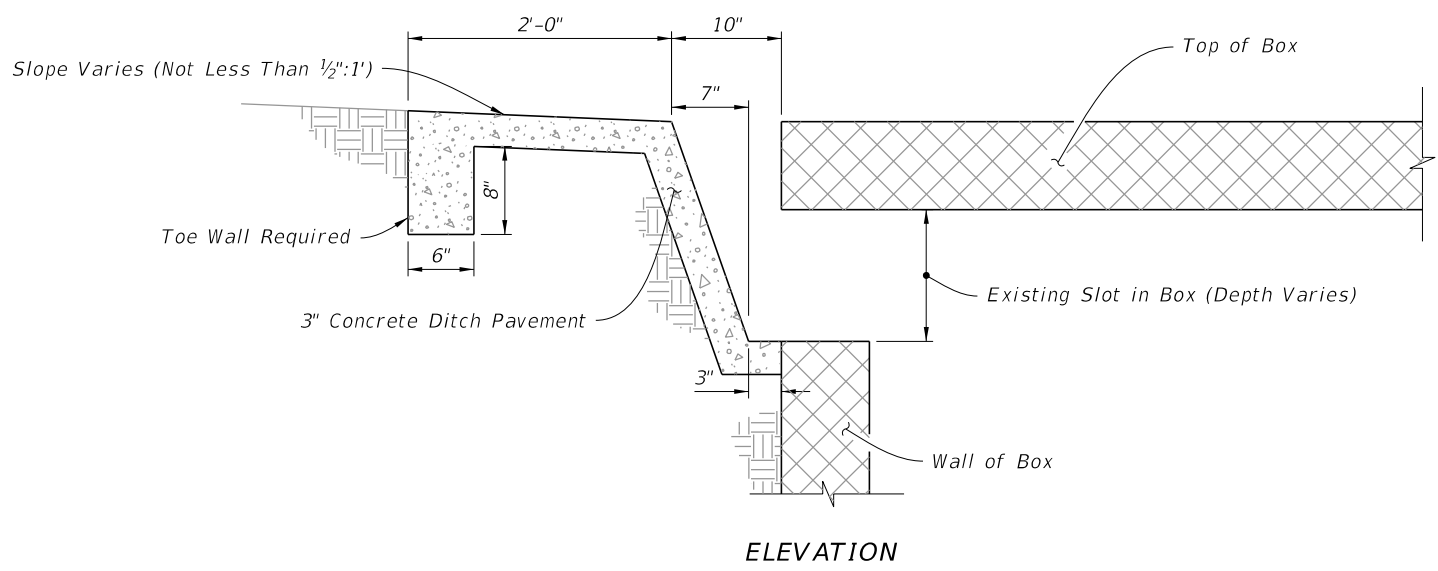



SECTION AA



SECTION BB

INLET IN BOX CULVERT

9/28/2023 4:47:24 PM

LAST REVISION 11/01/20	REVISION	DESCRIPTION:	 FY 2024-25 STANDARD PLANS	SAFETY MODIFICATION FOR INLETS IN BOX CULVERTS	INDEX 425-090	SHEET 1 of 1
---------------------------	----------	--------------	--	---	------------------	-----------------