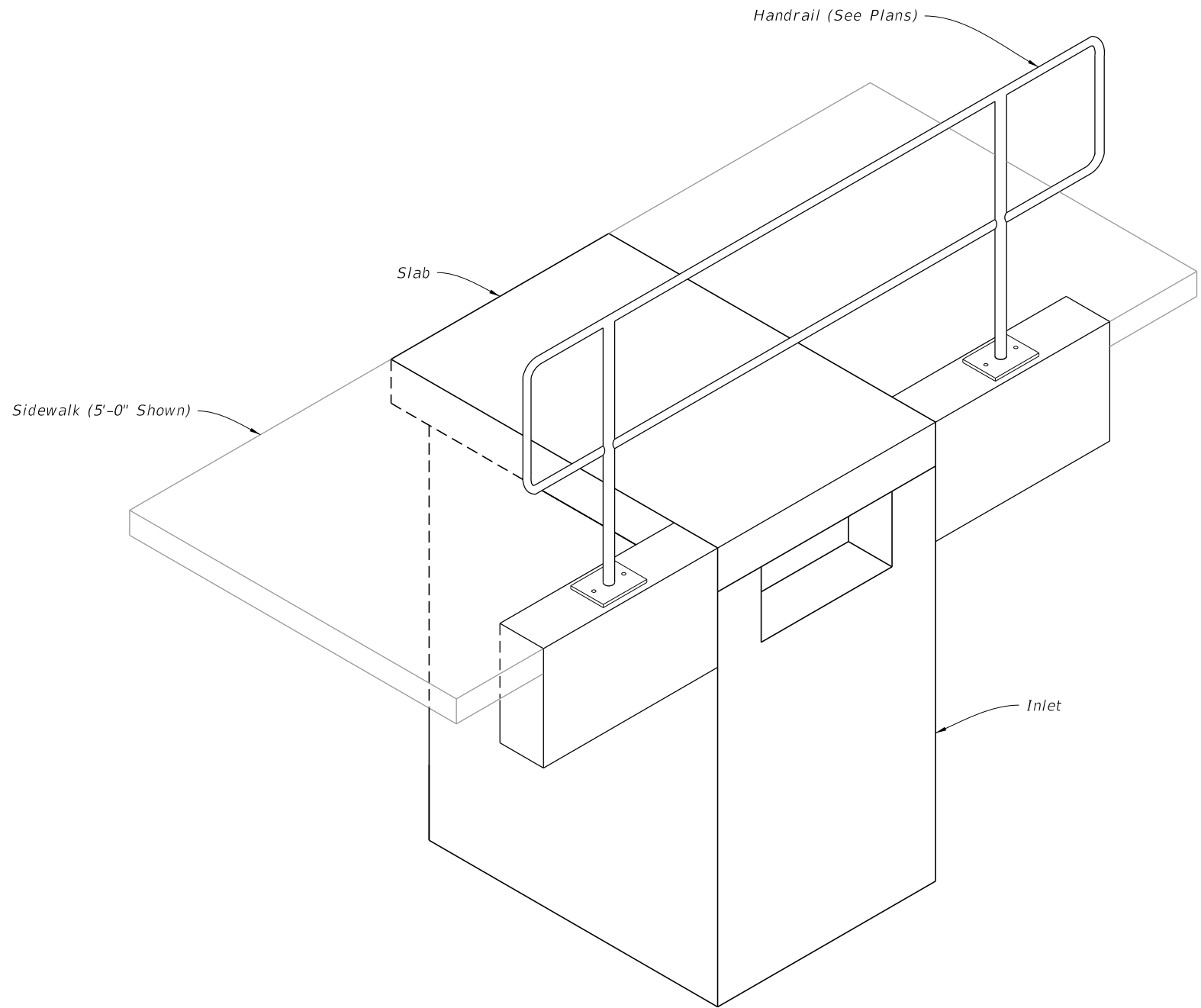


GENERAL NOTES:

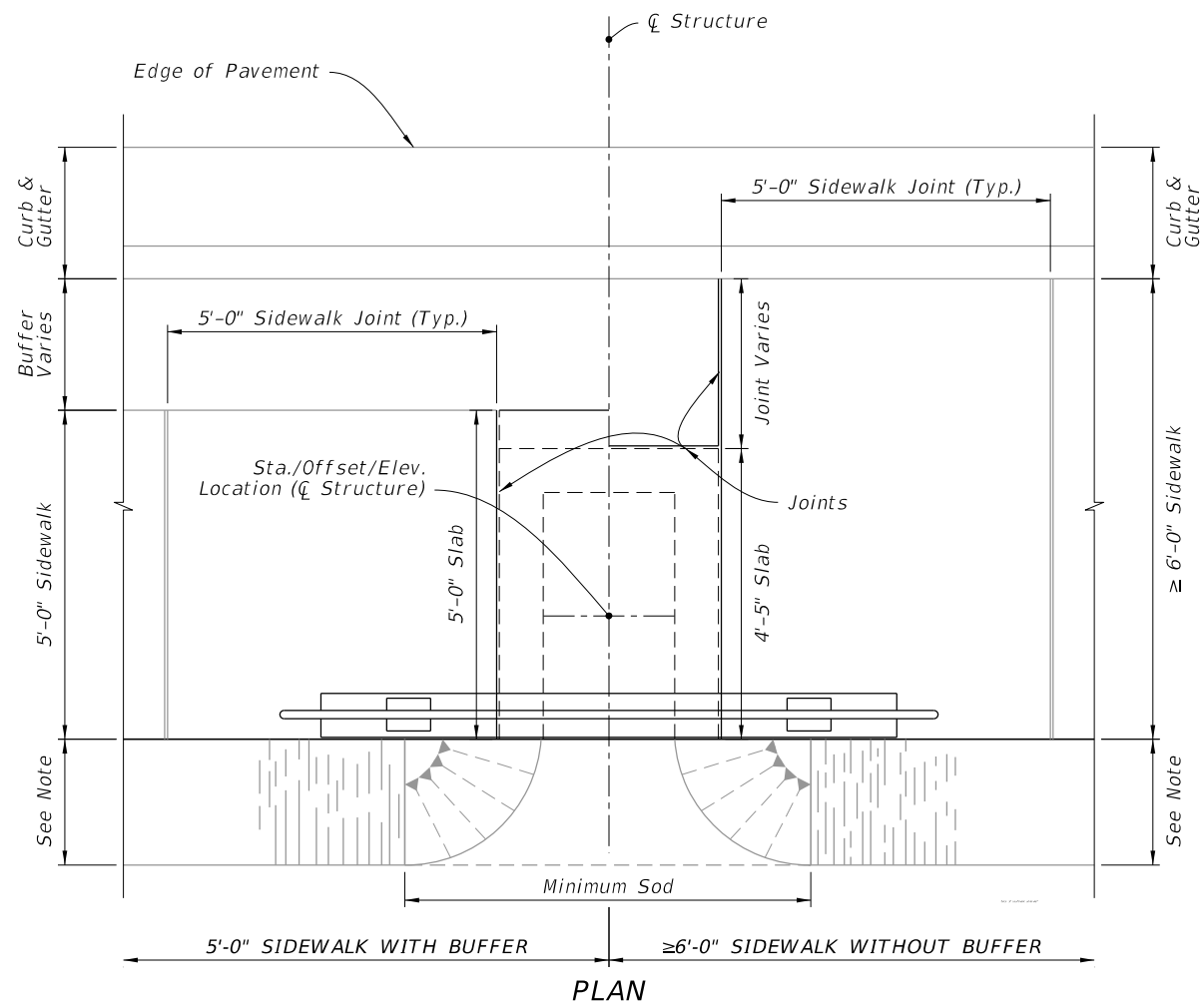
1. Work this Index with Index 425-052.
2. Quantities are for informational and estimating purposes only.

TABLE OF CONTENTS:	
Sheet	Description
1	General Notes and Contents
2	Inlet Type C (Modified)
3	Special Concrete Endwall
4	Shallow Ditches and Yard Drains

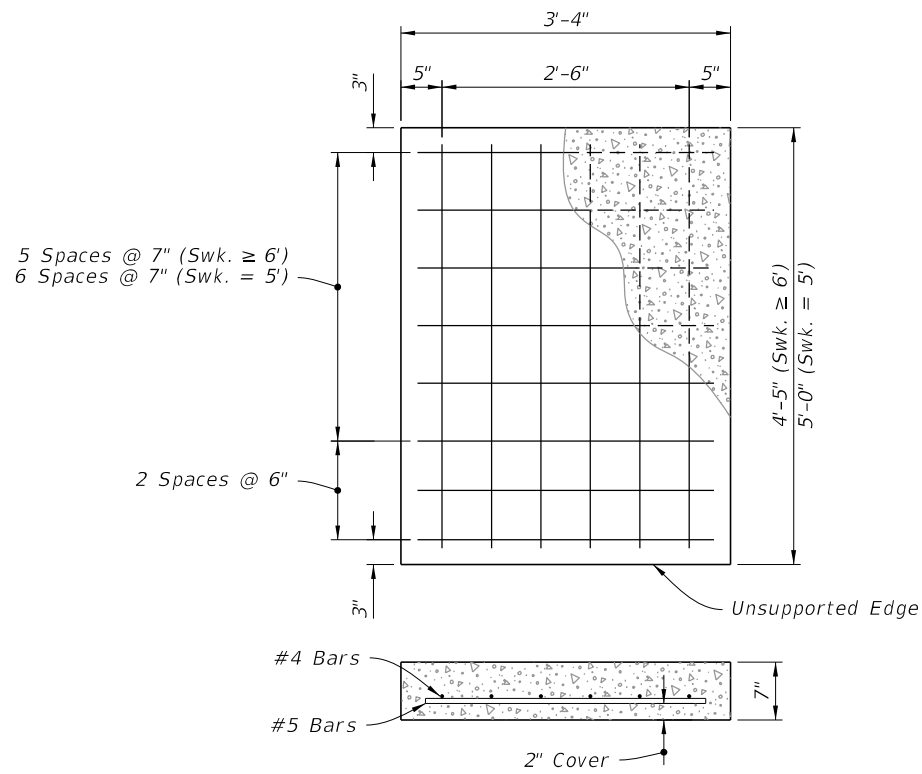


===== TYPE C (MODIFIED) INLET =====
 (Pipe Connection Not Shown)

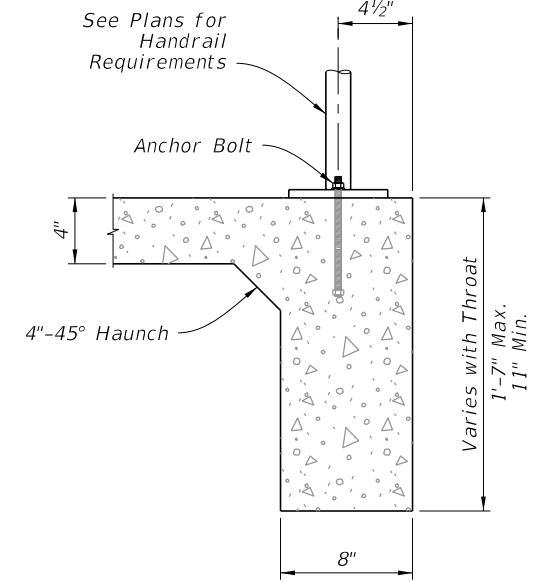
9/28/2023 4:34:18 PM



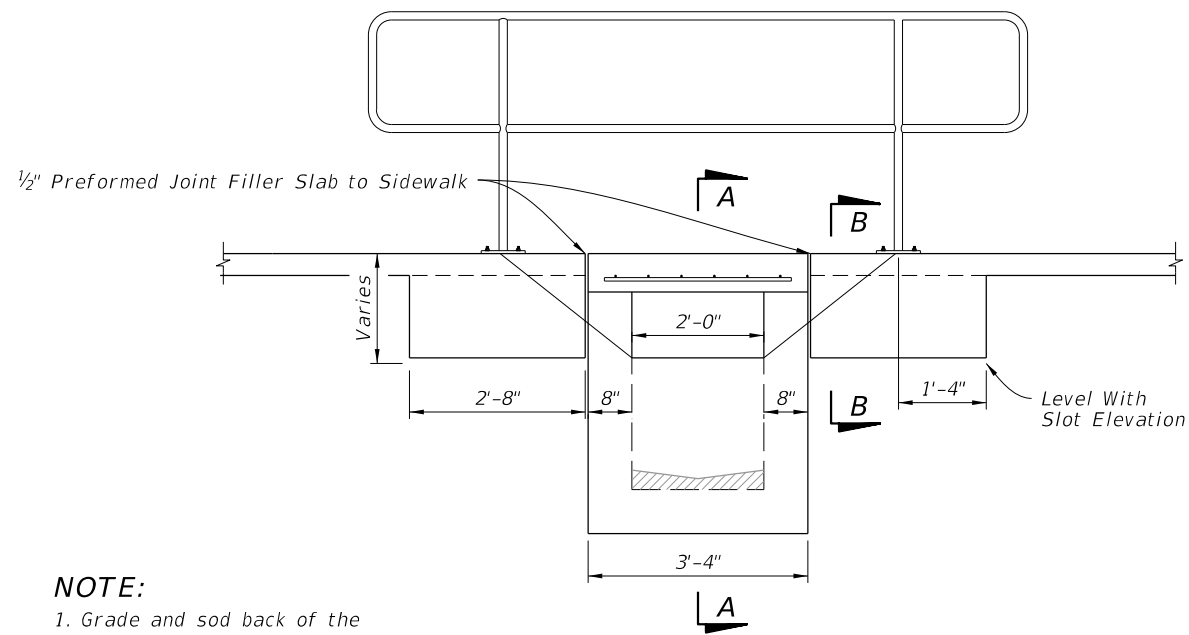
PLAN



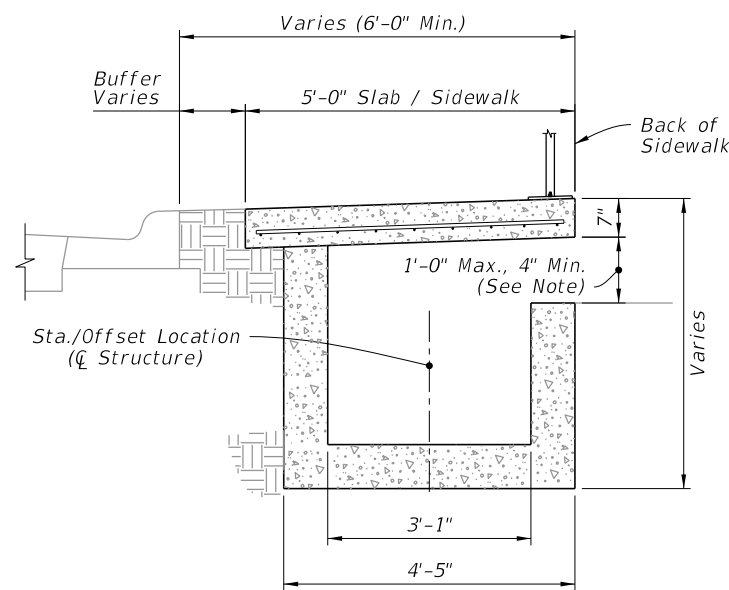
SLAB REINFORCEMENT



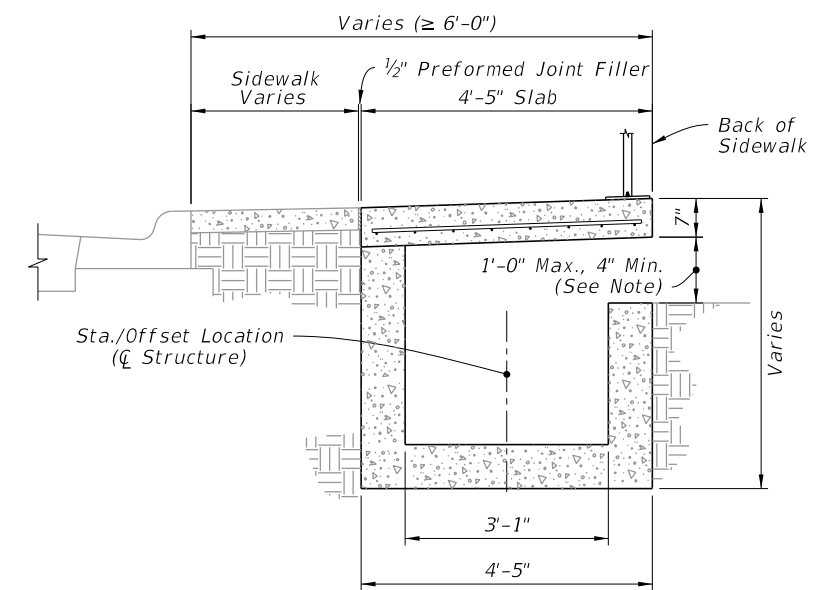
SECTION B-B



ELEVATION



5'-0" SIDEWALK WITH BUFFER
SECTION A-A




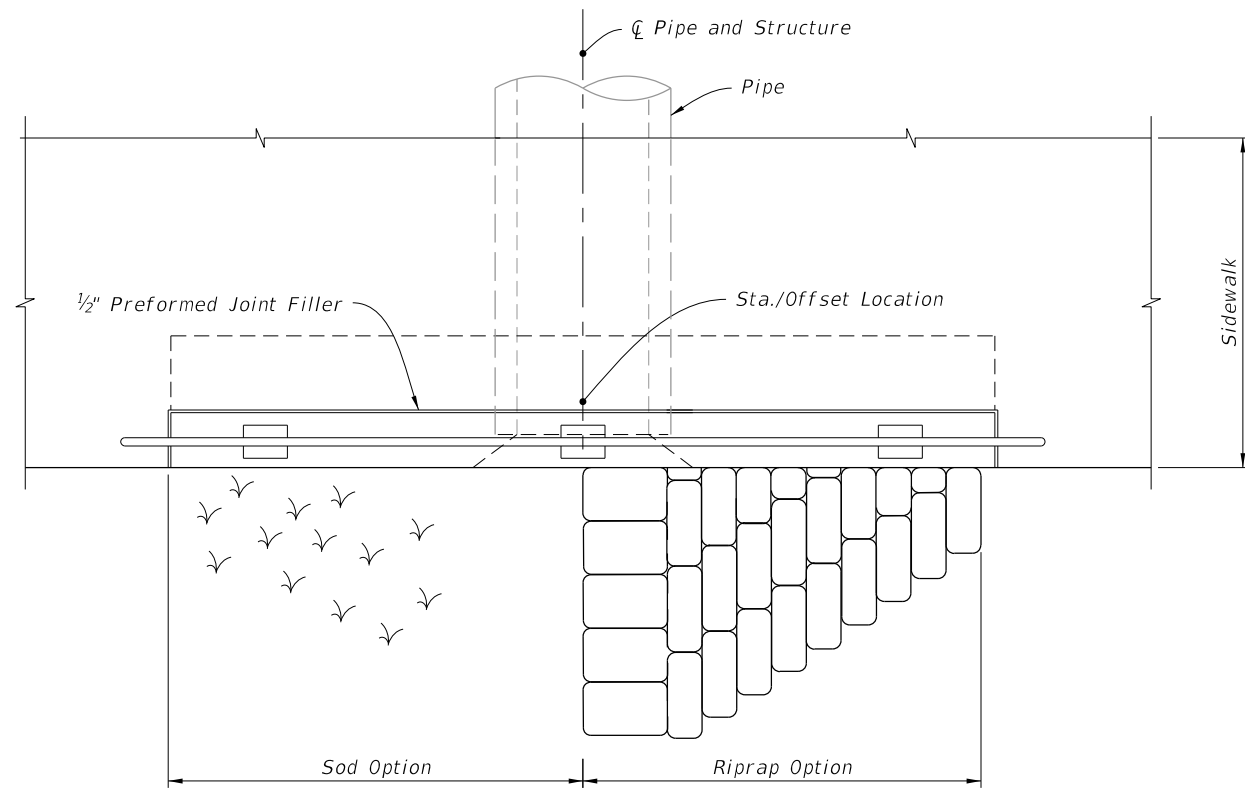
≥6'-0" SIDEWALK WITHOUT BUFFER
SECTION A-A

TYPE C INLET (MODIFIED)

- NOTE:**
1. Grade and sod back of the sidewalk as directed by the Engineer.
 2. Pipe connection not shown.

9/28/2023 4:34:23 PM

LAST REVISION 11/01/20	DESCRIPTION:	 FY 2024-25 STANDARD PLANS	BACK OF SIDEWALK DRAINAGE	INDEX 425-060	SHEET 2 of 4
---------------------------	--------------	---	---------------------------	------------------	-----------------

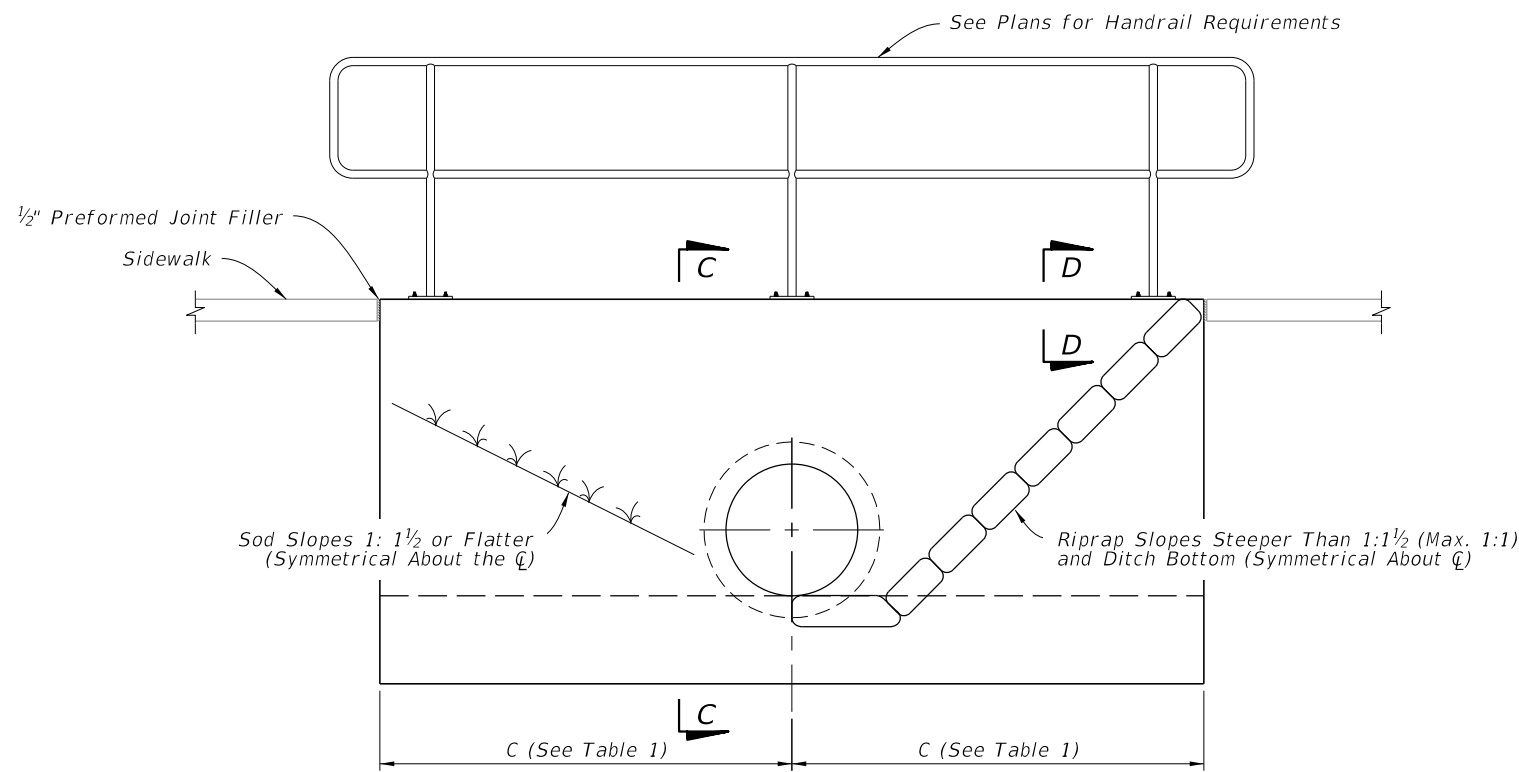


PLAN

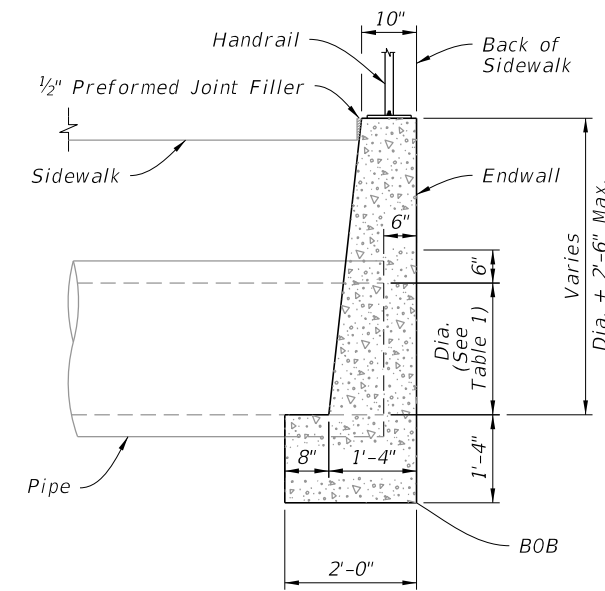
NOTES:

1. Grading back of sidewalk as directed in the Plans.
2. Concrete quantities shown are for maximum wall heights and for information only.
3. Riprap quantities are for informational and estimating purposes only.

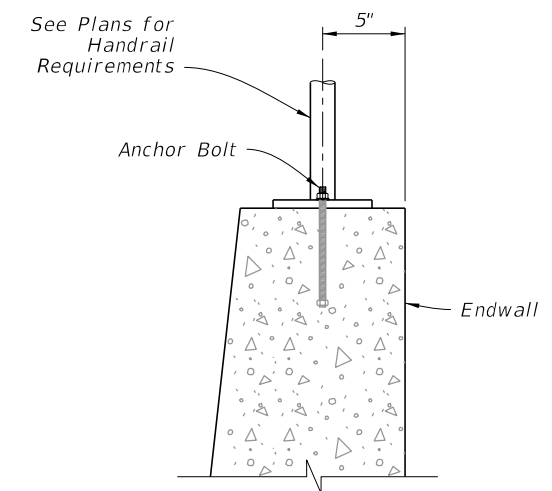
Pipe Size Dia. (in)	C	Concrete Class II (CY)	Sand-Cement Riprap (CY)
15	4'-9"	2.3	1.1
18	5'-3"	2.6	1.3
24	6'-3"	3.3	1.8



ELEVATION



SECTION C-C



SECTION D-D

SPECIAL CONCRETE ENDWALL

9/28/2023 4:34:27 PM

LAST REVISION 11/01/20	REVISION	DESCRIPTION:
---------------------------	----------	--------------

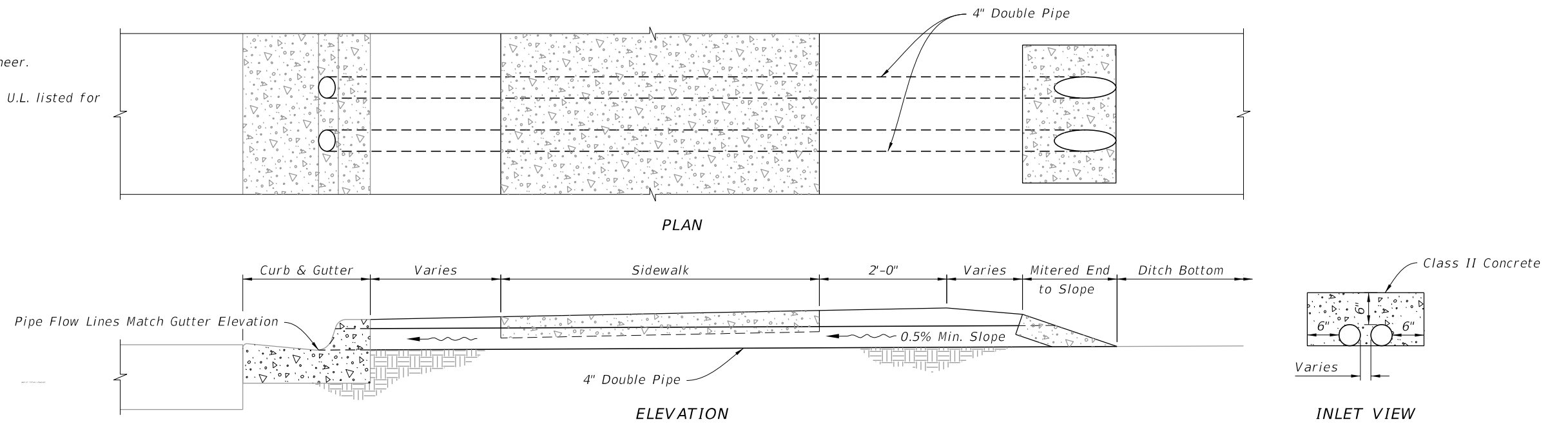
**FY 2024-25
STANDARD PLANS**

BACK OF SIDEWALK DRAINAGE

INDEX 425-060	SHEET 3 of 4
------------------	-----------------

NOTES:

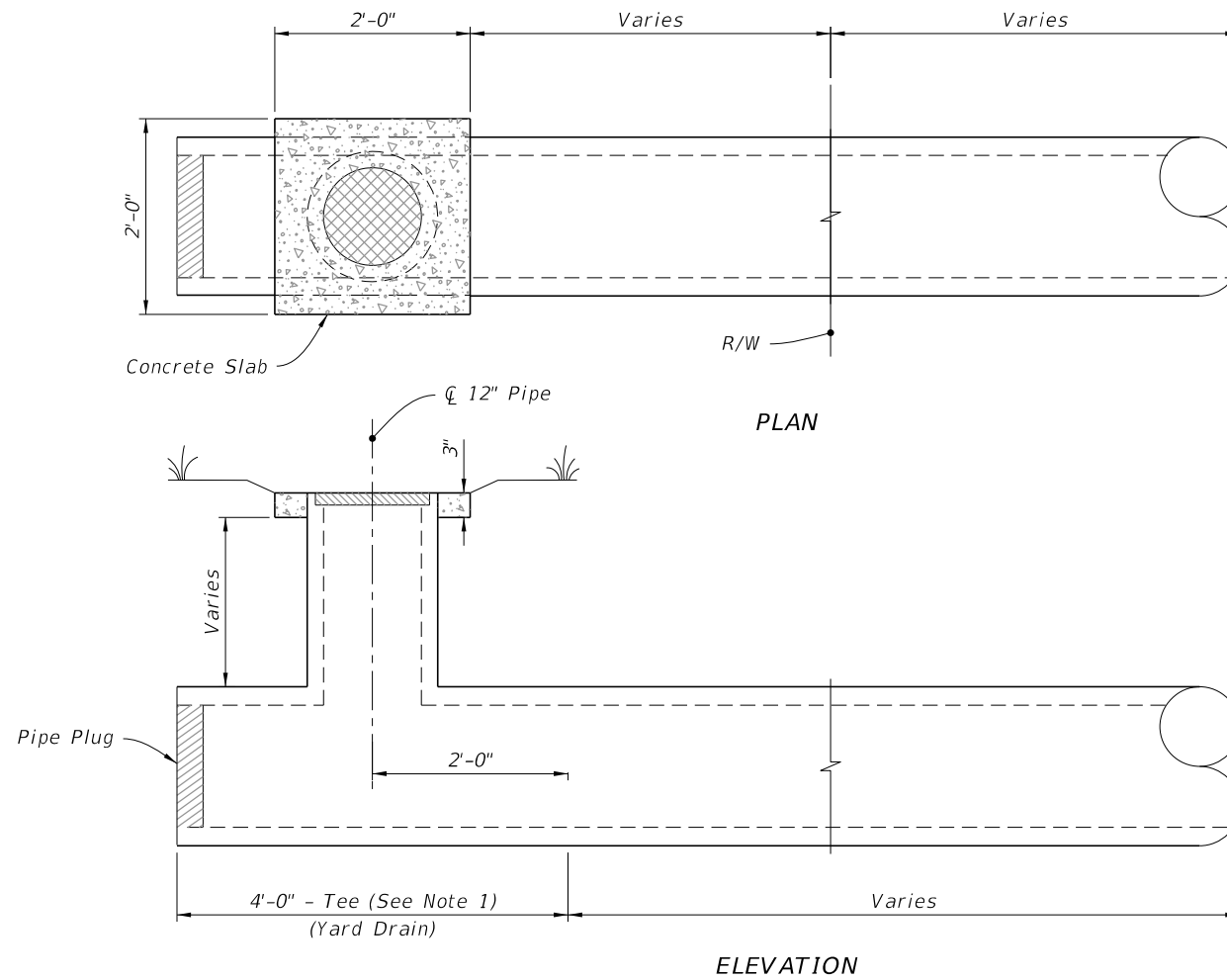
1. Construct at locations as directed by the Engineer.
2. Use either cast iron pipe or PVC rigid conduit, U.L. listed for direct sunlight exposure, Schedule 40.



SHALLOW DITCHES

NOTES:


1. Tee will be either concrete or PVC, 15"x15"x12".
2. Grate will have diameter of 14 1/4", 2 1/2" thick, minimum 45 square inches flow area, and be light duty cast iron in accordance Specification 962.



YARD DRAINS

SHALLOW DITCHES AND YARD DRAINS

9/28/2023 4:34:33 PM

LAST REVISION 11/01/21	REVISION	DESCRIPTION:		FY 2024-25 STANDARD PLANS	BACK OF SIDEWALK DRAINAGE	INDEX 425-060	SHEET 4 of 4
---------------------------	----------	--------------	---	------------------------------	---------------------------	------------------	-----------------