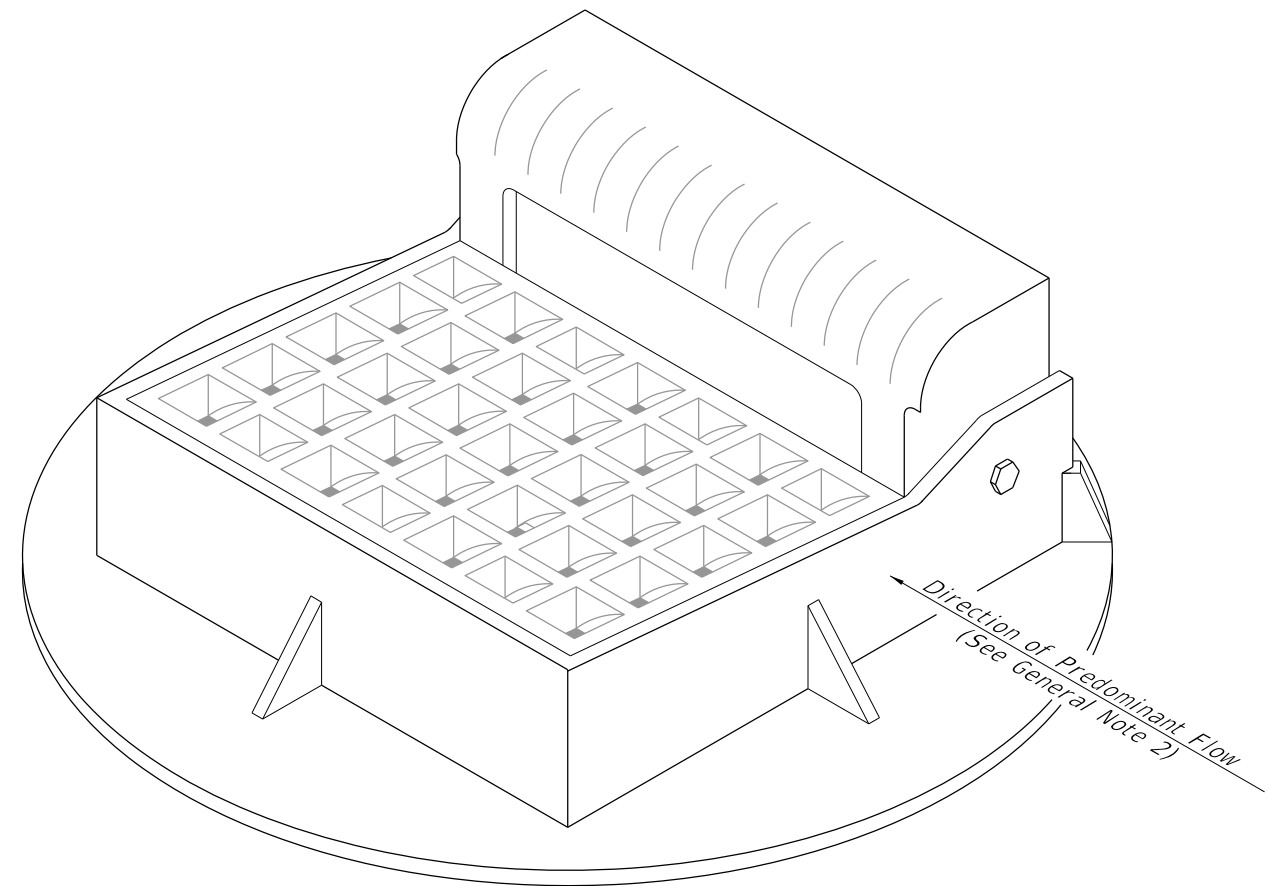


GENERAL NOTES:


1. Work this Index with Index 425-001 and Index 425-010.
2. Orient grate with vanes directed toward predominant flow.
3. Provide 1¼" minimum cover for steel in slab tops unless otherwise shown. Tops may be either cast-in-place or precast concrete.
4. Place top slab openings such that 2 edges of inlet frame will be located directly above bottom or riser walls, for Alternate B applications.
5. When used on a structure with dimensions larger than those detailed on Sheet 3 and risers are not applied, construct the top slab using Index 425-010 with the slab opening adjusted to 22"x24". The "Special Top Slab" on Index 425-010 is not permitted.
6. Frame may be adjusted with one to six courses of brick.
7. Vaned grates with approximately equal openings that satisfy AASHTO HL-93 loading are permitted. Provide reversible (right or left) grates.

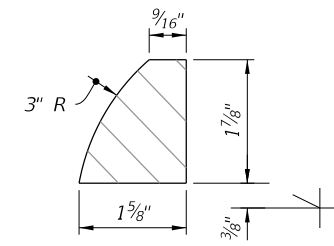
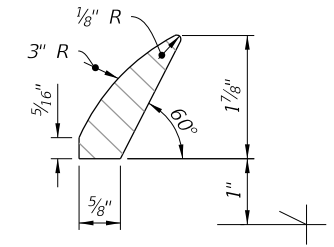
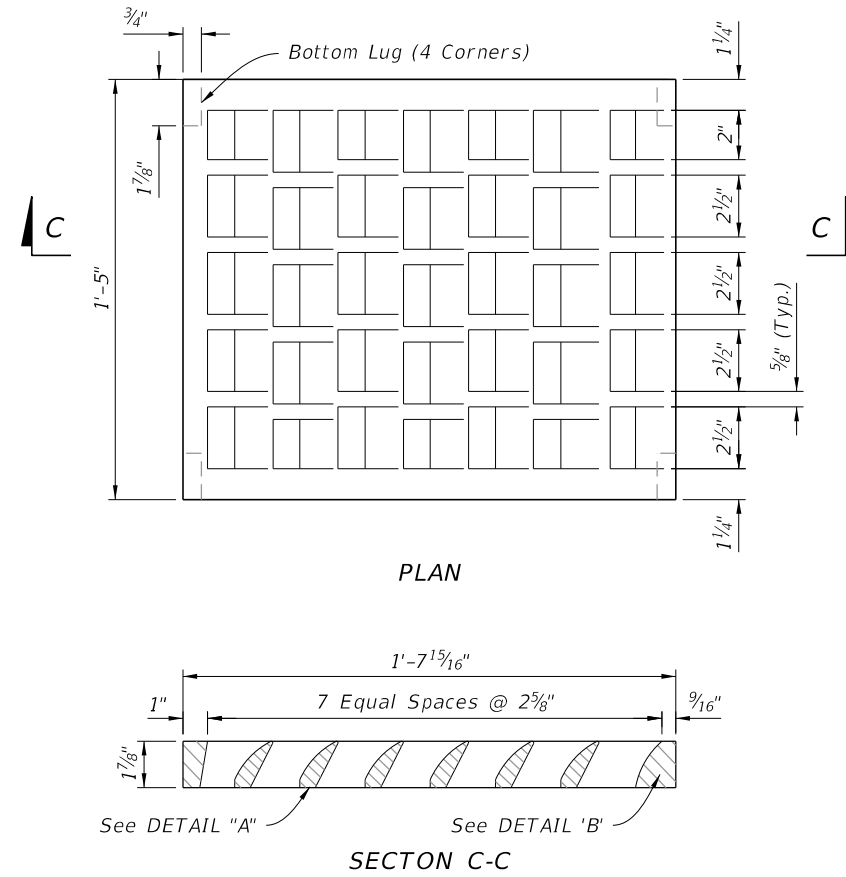
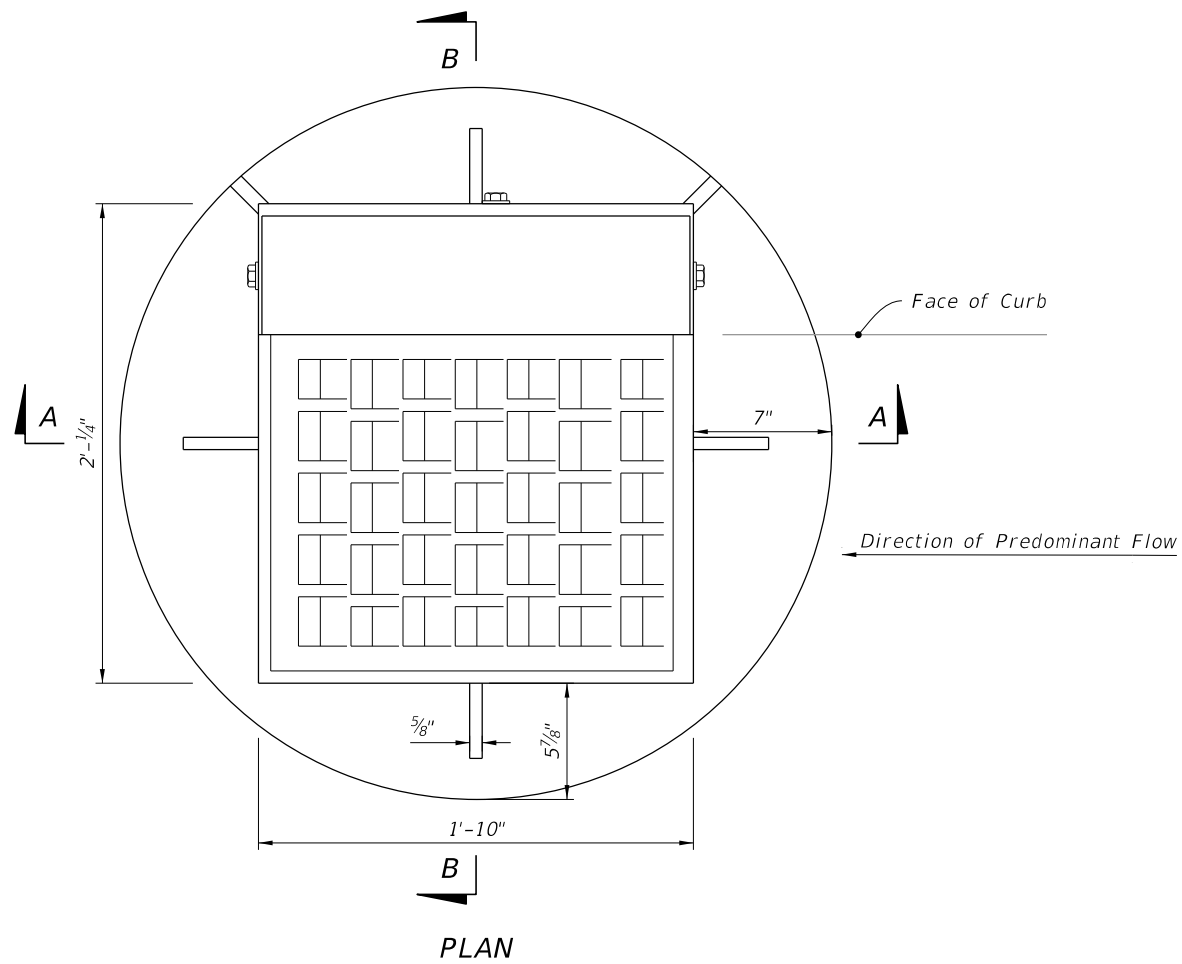
TABLE OF CONTENTS:	
Sheet	Description
1	General Notes and Contents
2	Frame and Grate Details
3	Top Slab Details



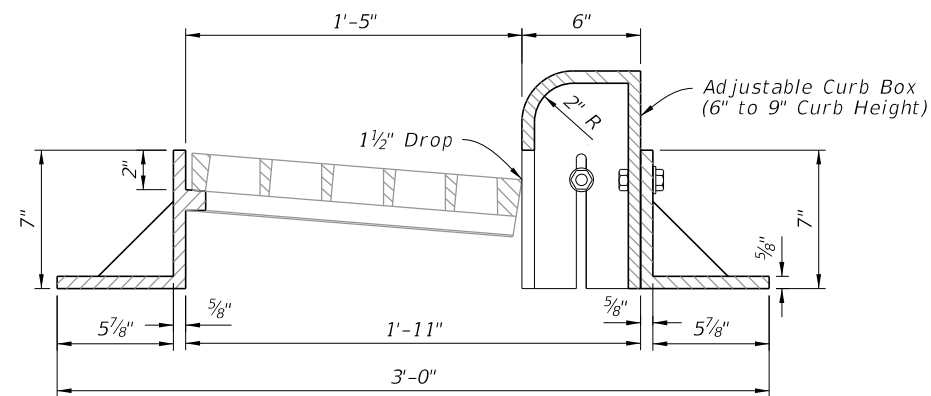
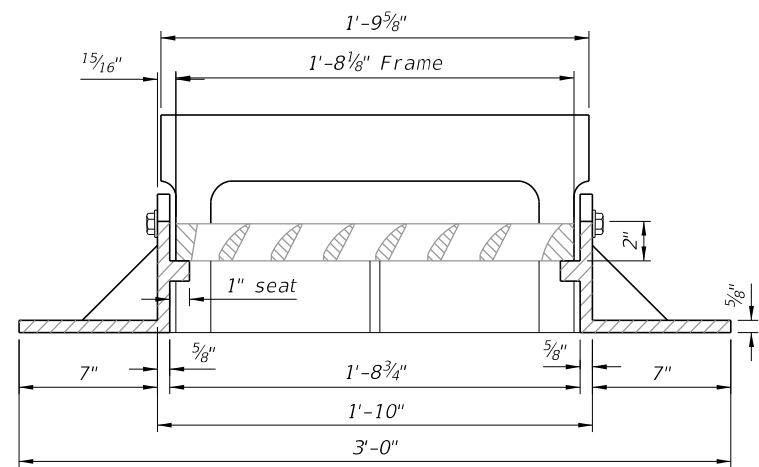
==== CURB INLET TOP TYPE 10 =====

9/28/2023 2:14:52 PM

LAST REVISION 11/01/20	REVISION	DESCRIPTION:	 FY 2024-25 STANDARD PLANS	CURB INLET TYPE 10	INDEX 425-025	SHEET 1 of 3
---------------------------	----------	--------------	---	--------------------	------------------	-----------------



GRATE DETAILS



FRAME AND GRATE DETAILS

FRAME AND GRATE DETAILS

9/28/2023 2:14:57 PM

LAST REVISION 11/01/20	DESCRIPTION:
---------------------------	--------------

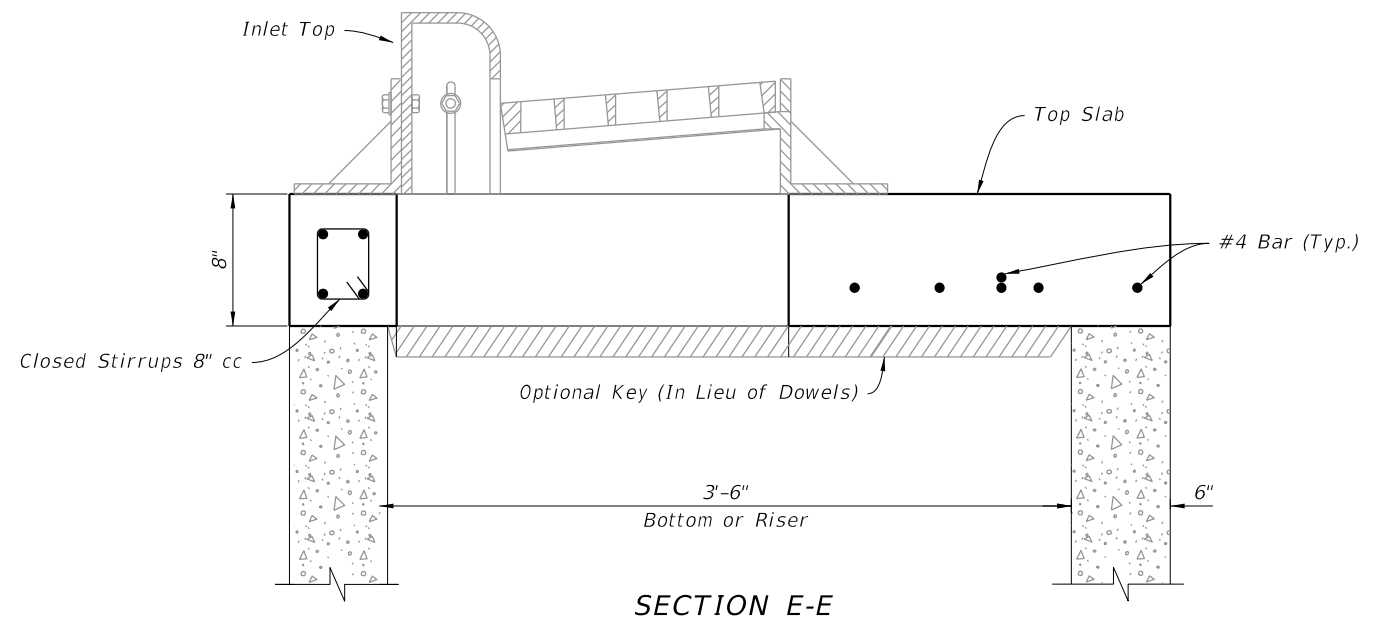
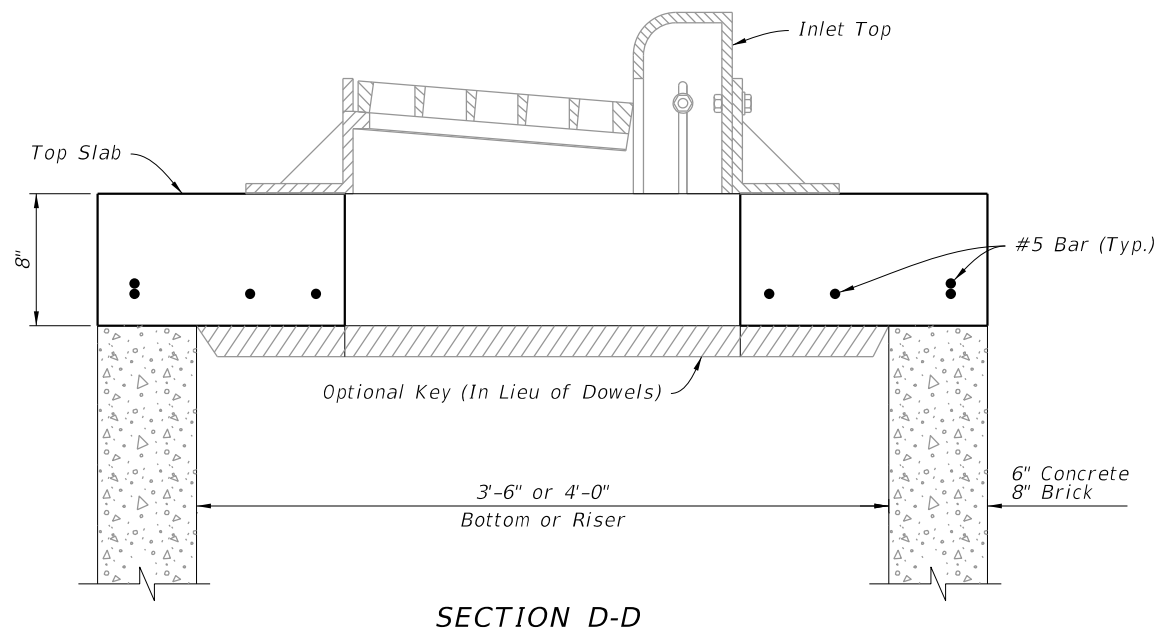
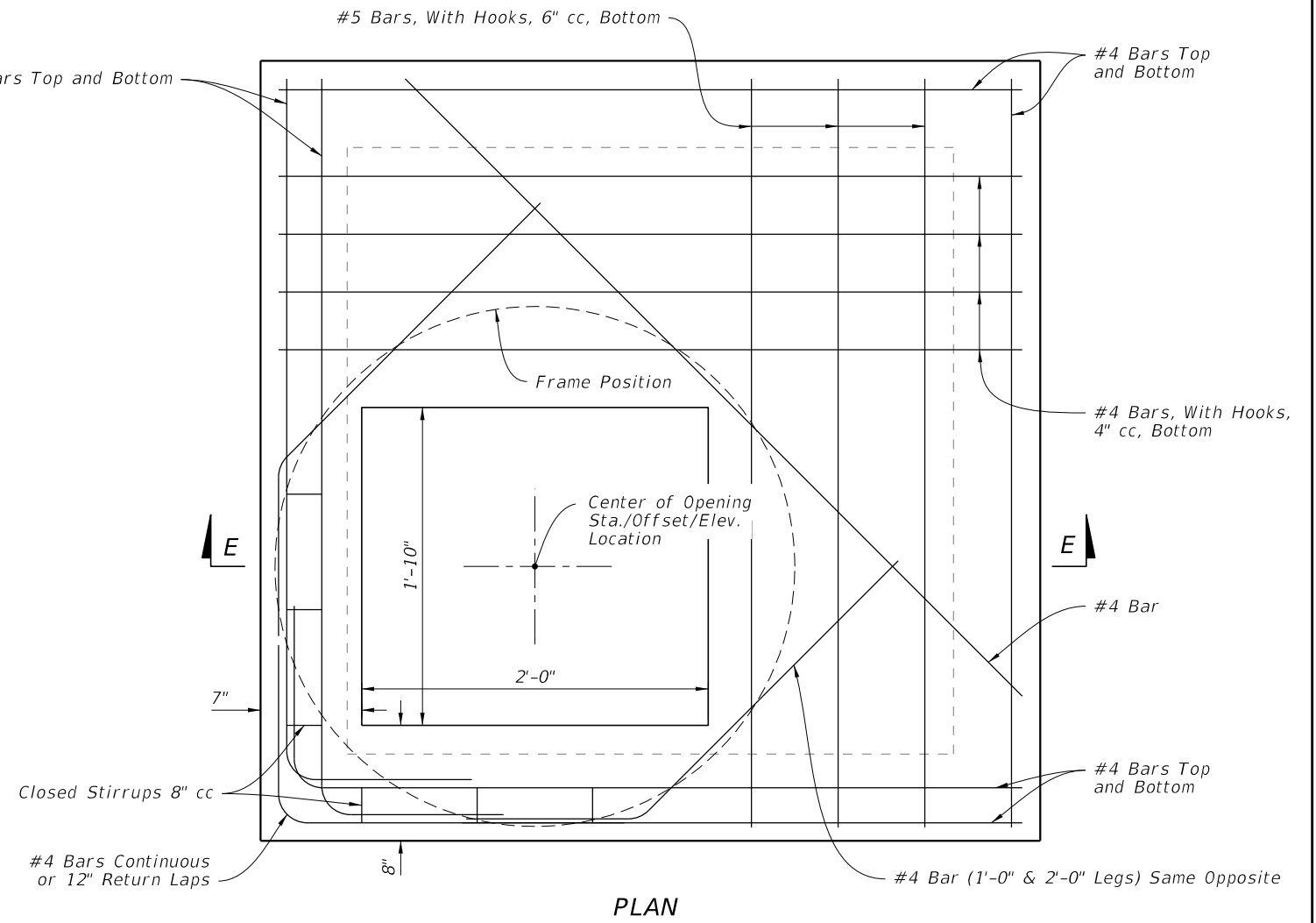
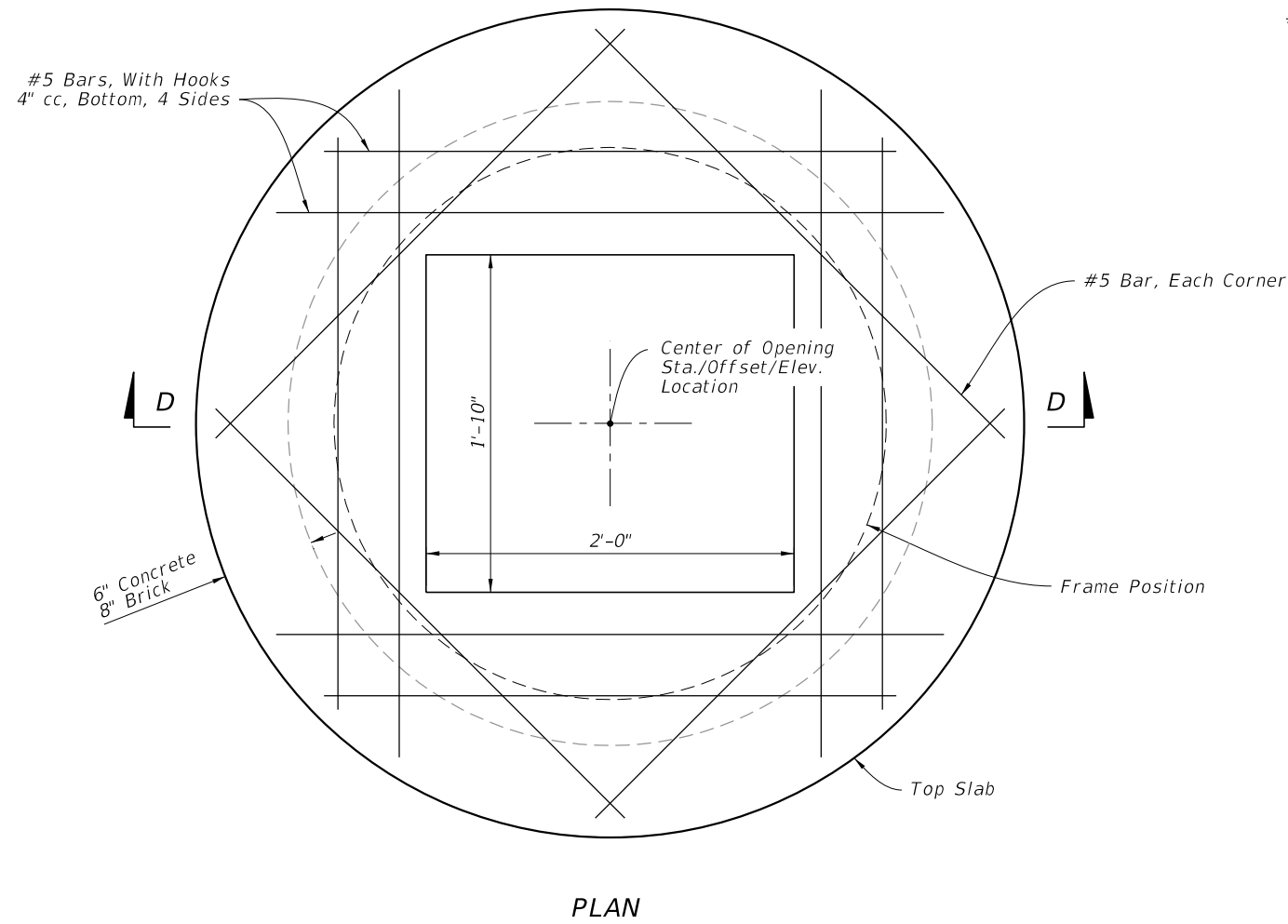


FY 2024-25
STANDARD PLANS

CURB INLET TYPE 10

INDEX
425-025

SHEET
2 of 3



TOP SLAB DETAILS

9/28/2023 2:15:02 PM

LAST REVISION 11/01/20	DESCRIPTION:
---------------------------	--------------